

SERIES LP2 SWITCHES



PUSHBUTTON SWITCHES - ILLUMINATED



MECHANICAL SPECIFICATIONS

Operating Life:	300,000 cycles
Force:	125 ± 35 grams
Travel:	1.3mm +/- 0.3mm

ELECTRICAL SPECIFICATIONS

Contact Rating:	20VDC @ 1mA; 5VDC @ 5mA
Contact Resistance (Initial Max.):	200 Ohms Max @ 5VDC, 1mA
Insulation Resistance (min.@100V):	100 Megaohms Min.
Dielectric Strength (1 Min.):	250VAC
Contact Arrangement:	SPST, Normally Open

ENVIRONMENTAL SPECIFICATIONS

Operating/Storage Temperature:	-20°C to +70°C
--------------------------------	----------------

FEATURES & BENEFITS

- Multiple Illumination Colors
- Custom marking options
- Multiple cap sizes

APPLICATIONS / MARKETS

- Audio/visual
- Consumer Electronics
- Telecommunications
- Medical
- Testing/instrumentation
- Computer/servers/peripherals

HOW TO ORDER

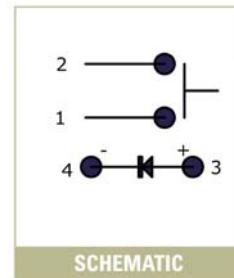
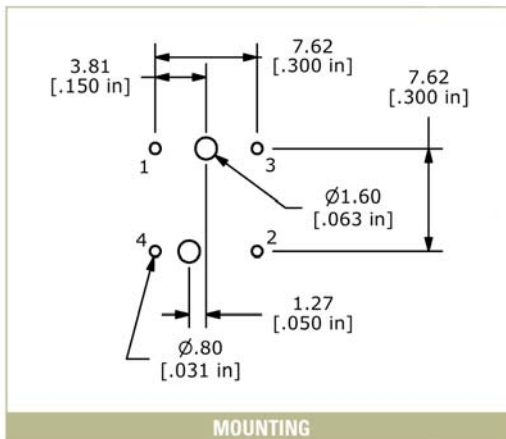
SERIES	BUTTON	BUTTON COLOR	LED COLOR	GRAPHIC
LP2	<p>S1 = 6mm Sq. S2 = 8.6mm Sq. S3 = 11mm Sq.</p>	<p>BLK = Black RED = Red WHT = White GRY = Gray TR = Transparent Red TB = Transparent Blue</p>	<p>RED = Red BLU = Blue GRN = Green YEL = Yellow WHT = White N = Without</p>	<p>N = No Graphic</p>

Example Ordering Number
LP2 S1 WHT WHT N

Specifications subject to change without notice.

LED Specifications

	Units	Blue	Red	Green	Yellow	White
Forward Current	mA	20mA	20mA	20mA	20mA	20mA
Forward Voltage @20mA	VDC	3.5 typ- 4.0 max	1.5 typ-2.4 max	1.7 typ-2.6 max	1.7 typ-2.6 max	3.5 typ-4.0 max
Luminous Intensity@20mA	mcd	1500 Typ	120 typ	120 typ	350 typ	2700 typ

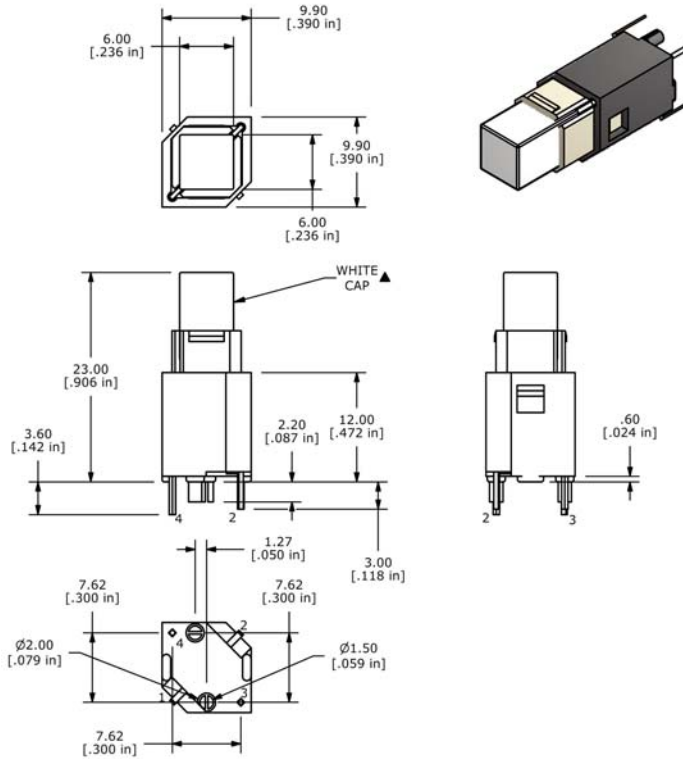


SERIES LP2 SWITCHES

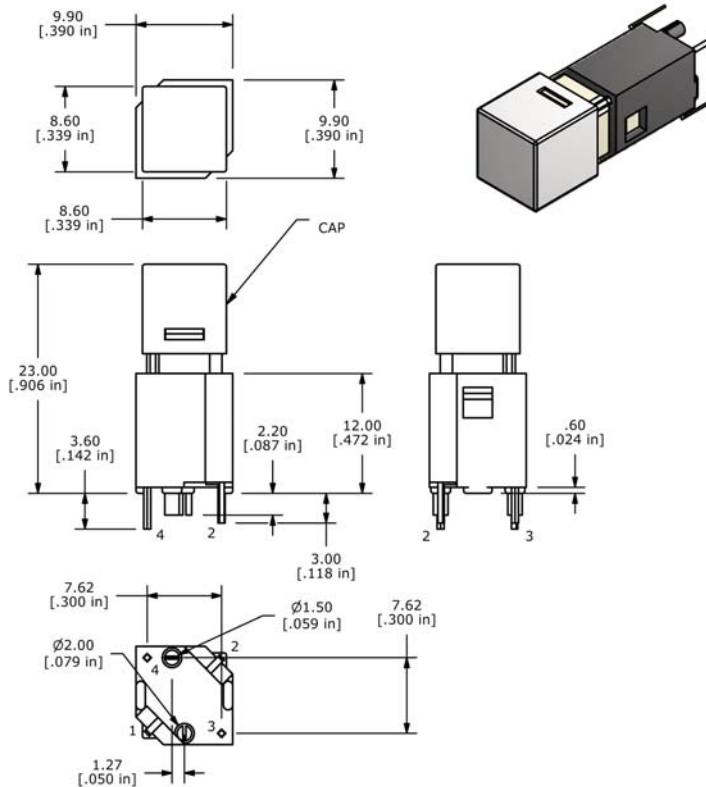


Button Options

S1- 6mm Square



S2 - 8.6mm Square



SERIES LP2 SWITCHES

Button Options (cont.)

S3 - 11mm Square

