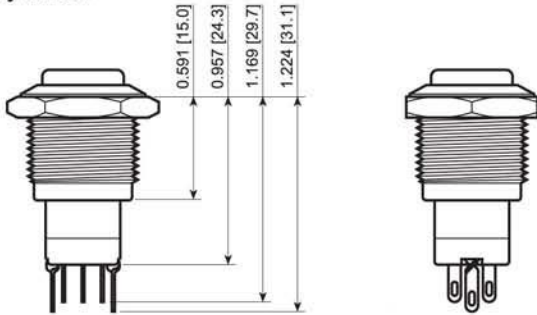




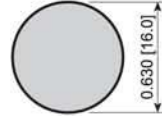
## Long Body Version



## Short Body Version

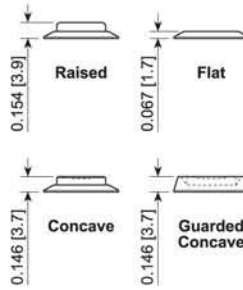


## Suggested Panel Cutout

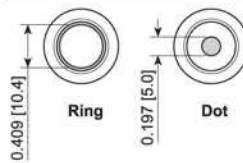


Maximum Panel Thickness:  
Long Body: 0.551 [14.0]  
Short Body: 0.394 [10.0]

## Actuator Options



## Illumination Options



## FEATURES:

- Vandal and Water Resistant
- Many Function, Illumination, and Materials
- Long Life Expectancy

## SPECIFICATIONS:

**RATING:** 2A 48VDC  
**ILLUMINATION BASE RATING:**  
 Red, Yellow, and Orange: 20mA 1.8V  
 Blue, Green, and White: 20mA 2.8V  
**TEMPERATURE:** -20°C to 55°C  
**ELECTRICAL LIFE:** 50,000 Cycles  
**CONTACT RESISTANCE:** 50mΩ Max. at 1A 12VDC  
**INSULATION RESISTANCE:** 1,000MΩ Min.  
**DIELECTRIC STRENGTH:** 2,000VAC for 1 Minute  
**INGRESS PROTECTION:** IP40 / IP67

## MATERIALS:

**BUSHING:** Gold Plated Brass  
 Nickel Plated Brass  
 Stainless Steel  
 Aluminum  
**ACTUATOR:** Gold Plated Brass  
 Nickel Plated Brass  
 Stainless Steel  
 Aluminum  
**BASE:** Polybutylene Terephthalate, UL94 V-2  
 Polycarbonate, UL94 V-2  
**INNER ASSEMBLY:** Polyoxymethylene, UL94 HB  
 Polycarbonate, UL94 V-2  
 Brass  
**SPRING:** Phosphor Bronze  
**MOBILE CONTACT:** Phosphor Bronze  
**CONTACT:** Nickel-Silver  
**TERMINALS:** Silver Plated Brass  
**HARDWARE:** Nickel Plated Brass

## EXAMPLE PART NUMBERS:

- PV3F230NN 1P On-On  
Flat Actuator, Nickel Plated Finish
- PV3F230SS 1P On-On  
Flat Actuator, Stainless Steel Body
- PV3F2B0NN 1P On-(On)  
Flat Actuator, Nickel Plated Finish
- PV3F2B0SS 1P On-(On)  
Flat Actuator, Stainless Steel Body
- PV3F2G0NN 2P On-On  
Flat Actuator, Nickel Plated Finish
- PV3F2G0NN-214 2P On-On  
Flat Actuator, Red Dot Illum., Nickel Plated
- PV3F2G0NN-314 2P On-On  
Flat Actuator, Red Ring Illum., Nickel Plated
- PV3F2G0SS 2P On-On  
Flat Actuator, Stainless Steel Body
- PV3F2H0NN 2P On-(On)  
Flat Actuator, Nickel Plated Finish
- PV3F2H0NN-214 2P On-(On)  
Flat Actuator, Red Dot Illum., Nickel Plated
- PV3F2H0NN-314 2P On-(On)  
Flat Actuator, Red Ring Illum., Nickel Plated
- PV3F2H0SS 2P On-(On)  
Flat Actuator, Stainless Steel Body
- PV3H230NN 1P On-On  
High Actuator, Nickel Plated Finish
- PV3H2B0NN 1P On-(On)  
High Actuator, Nickel Plated Finish
- PV3H2B0SS 1P On-(On)  
High Actuator, Stainless Steel Finish
- PV3H2G0NN 2P On-On  
High Actuator, Nickel Plated Finish
- PV3H2G0NN-214 2P On-On  
High Actuator, Red Dot Illum., Nickel Plated
- PV3H2G0NN-314 2P On-On  
High Actuator, Red Ring Illum., Nickel Plated
- PV3H2H0NN 2P On-(On)  
High Actuator, Nickel Plated Finish



PV3H2G0NN-344



PV3H2B0NN

Series	Actuator Options	Terminal	Function	Rating	Body Finish	Actuator Finish	Contact Material	Lens Style	Lens Color	Illumination Voltage
□ □ □ □ □	F - Flat H - High C - Concave G - Guarded Concave	2 - Solder	1 Pole: B - On-(On) 2 Pole: H - On-(On)	0 - 2A 48VDC	1 - Black G - Gold N - Nickel B - Brushed Stainless S - Polished Stainless	1 - Black 2 - White 7 - Blue 8 - Green 9 - Red G - Gold N - Nickel B - Brushed Stainless S - Polished Stainless	None - Silver G - Gold	2 - Dot 3 - Ring	0 - White 1 - Red 2 - Orange 3 - Green 4 - Blue 5 - Yellow	1 - Base Voltage 3 - 6V 4 - 12V 5 - 24V 6 - 125V 7 - 250V

Include Illumination Options on Illuminated Switches Only

Notes:  
 \* = Not available with illumination options.  
 Additional material, illumination, and marking options are available. Please ask your sales person.

