

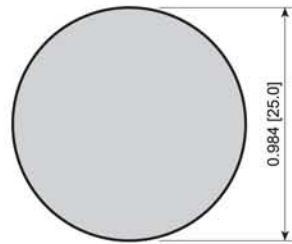
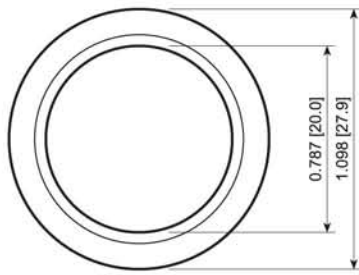
PV8 Series



RoHS

NEW

Suggested Panel Cutout



Maximum Panel Thickness
Momentary Version: 0.394 [10.0mm]
Maintained Version: 0.472 [12.0mm]

FEATURES:

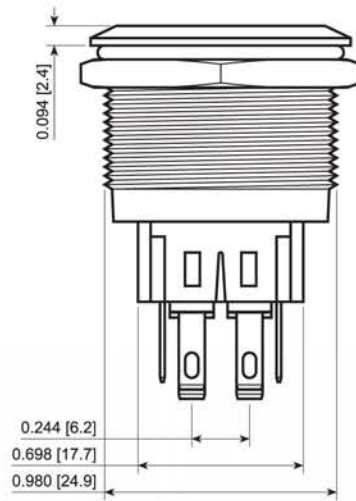
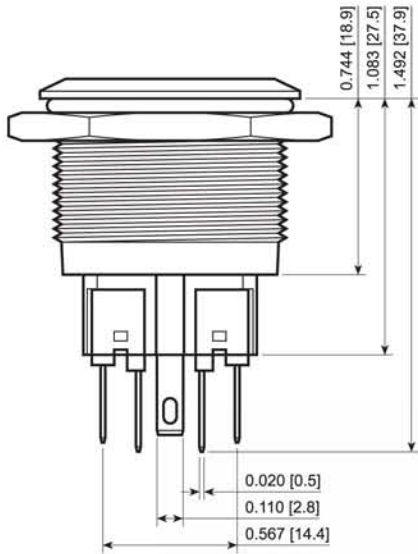
- Vandal and Vandal Resistant
- Long Life Expectancy
- Many Function and Illumination Options

SPECIFICATIONS:

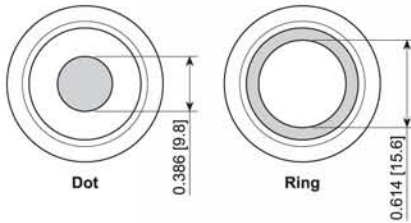
RATING: 2A 36VDC
ILLUMINATION BASE RATING:
 Red, Yellow, and Orange: 20mA 1.8V
 Blue, Green, and White: 20mA 2.8V
TEMPERATURE: -20°C to 55°C
CONTACT RESISTANCE: 50mΩ Max.
INSULATION RESISTANCE: 1,000MΩ Min.
DIELECTRIC STRENGTH: 2,000VAC
MECHANICAL LIFE: 1,000,000 Cycles
ELECTRICAL LIFE: 50,000 Cycles

MATERIALS:

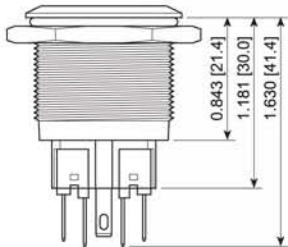
BUTTON: Stainless Steel
 Nickel Plated Brass
BODY: Stainless Steel
 Nickel Plated Brass
BASE: PBT
CONTACTS: Gold Plated Over Silver Alloy



Illumination Options



Maintained Version Dimensions



PV8F2V0SS-311

Series	Actuator Options	Terminal Function	Rating	Body Finish	Actuator Finish	Lens Style	Lens Color	Illumination Voltage
PV8	F - Flat	2 - Solder	0 - 2A 48VDC	N - Nickel S - Stainless Steel	N - Nickel S - Stainless Steel	2 - Dot 3 - Ring	0 - White 1 - Red 2 - Orange 3 - Green 4 - Blue 5 - Yellow	1 - Base Voltage 3 - 6V 4 - 12V 5 - 24V 6 - 125V 7 - 250V

Notes:
 Additional material, illumination, and marking options are available. Please ask your sales person.

4 Pole:
 V - 2P Off-(On) / 2P On-(Off)
 U - 2P Off-On / 2P On-Off

For Illuminated Switches Only

EXAMPLE PART NUMBERS:

- PV8F2U0SS-344 2P Off-On/2P On-Off
Flat Actuator, Blue Ring Illumination, 12V
- PV8F2V0SS-211 2P Off-(On)/2P On-(Off)
Flat Actuator, Red Dot Illumination, 1.8V
- PV8F2V0SS-321 2P Off-(On)/2P On-(Off)
Flat Actuator, Orange Ring Illumination, 1.8V
- PV8F2V0SS-235 1P Off-(On)/1P On-(Off)
Flat Actuator, Green Dot Illumination, 24V
- PV8F2V0SS-313 1P Off-(On)/1P On-(Off)
Flat Actuator, Red Ring Illumination, 6V

SPECIFICATIONS SUBJECT TO CHANGE WITHOUT NOTICE



E-SWITCH®

www.e-switch.com

800.867.2717