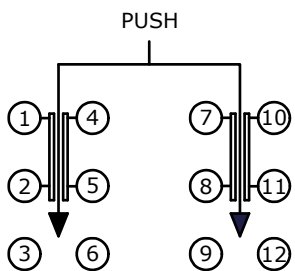


P.C.B. LAYOUT

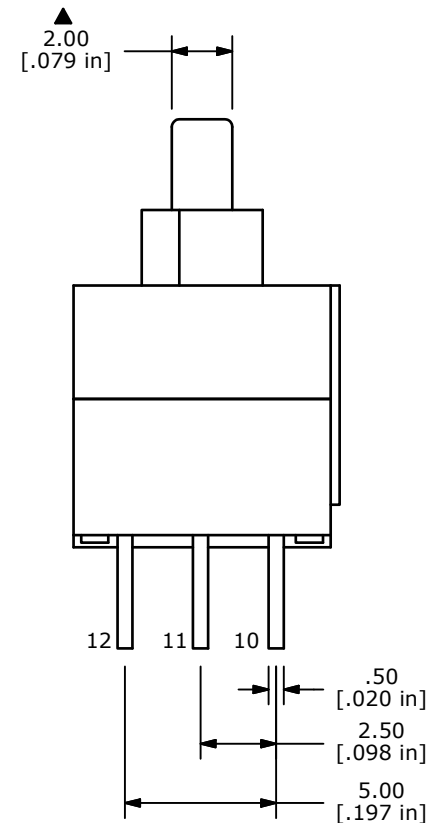
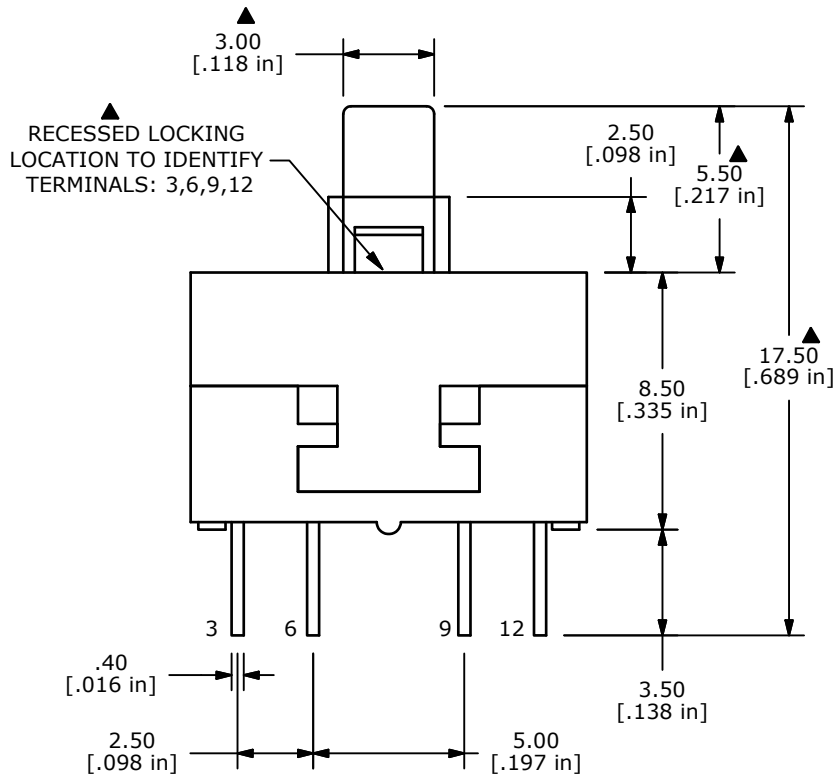
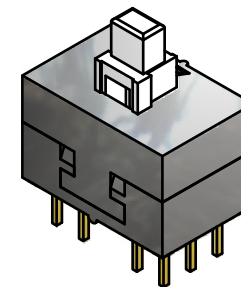
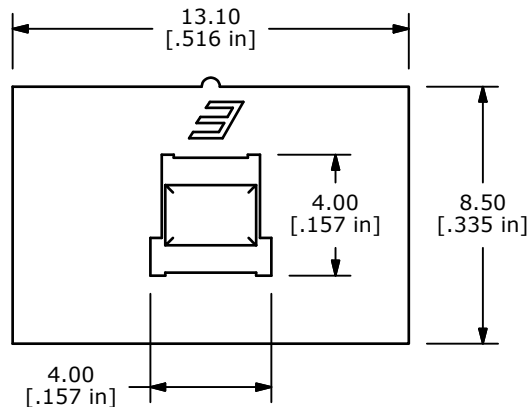


CIRCUIT DIAGRAM

SWITCH FUNCTION	
POS. 1	POS. 2
ON	ON
1-2,4-5 7-8,10-11	2-3,5-6 8-9,11-12

NOTES:

1. ALL DIMENSIONS IN MM [INCH]
2. GENERAL TOLERANCE: X.X±0.4
X.XX±0.25
3. TERMINAL NUMBERS FOR REF. ONLY
4. RATING: 0.1A @ 30VDC
- ▲ 5. TRAVEL: FULL = 2.5mm, LOCK = 1.5mm
- ▲ 6. OPERATING FORCE: 300gf ± 70gf
7. ELECTRICAL LIFE: 10,000 CYCLES
8. ▲ DENOTES CRITICAL PARAMETER
9. CONTACT MATERIAL: SILVER
10. 2002/95/EC (RoHS) COMPLIANT
11. INSULATION RESISTANCE: 100 MΩ MIN.
12. DIELECTRIC STRENGTH: 500 VAC
13. OPERATING TEMPERATURE: -30°C TO +85°C



C	19998	ADD DIMS TO ACTUATOR	6/14/11	BGL	TITLE TL4201EEXA				
B	19691	DRAWING UPDATE	2/18/11	BGL	SCALE 4:1				
REV	PCR NO	DESCRIPTION	DATE	BY	DATE	DR	DWG	REV	
					2/18/2011	BGL	P010551	C	

THE INFORMATION CONTAINED IN THIS DOCUMENT IS PROPRIETARY TO E-SWITCH AND IS NOT TO BE COPIED OR TRANSFERRED