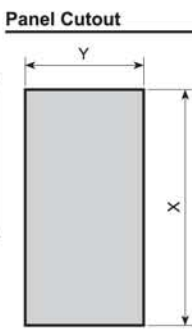
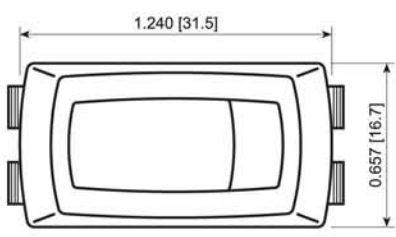


# RSC Series



ROCKER



	X	Y
RSC1-Series	1.126 [28.6]	0.547 [13.9]
RSC2-Series	1.071 [27.2]	0.476 [12.1]
RSC3-Series	1.071 [27.2]	0.547 [13.9]
RSC4-Series	1.126 [28.6]	0.476 [12.1]

### Actuator Options

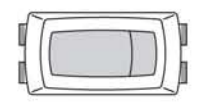


Bi-Color



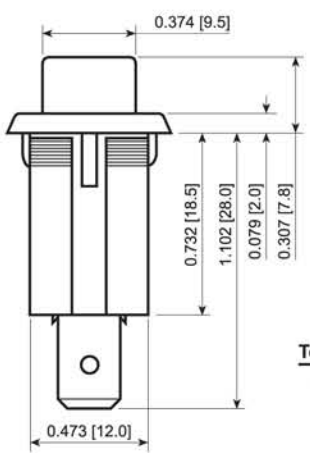
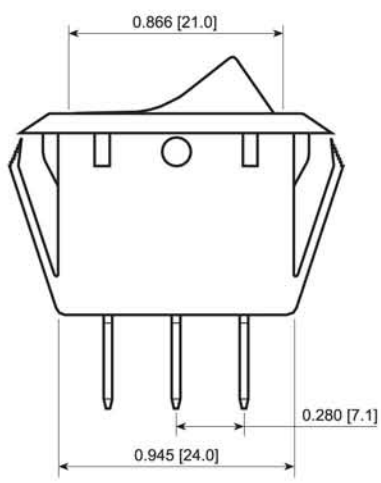
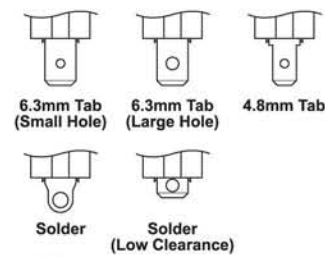
Flat

### Illumination Options



Full

### Terminal Options



### FEATURES:

- Excellent Quality and Reliability
- 4 Bodies to Cover Many Popular Cutouts
- High Current Capacity
- Illuminated and Bi-Color Actuators

### SPECIFICATIONS:

**RATING:** RATING OPTION D:  
 20A 125VAC [cURus]  
 16A 250VAC [cURus]  
 1/4HP 125VAC [UL]  
 3/4HP 250VAC [UL]  
 16(4)A 250V- 1E4 T125 [European]  
 20(8)A 250V- 1E4 T125 [European]  
 10(2)A 250V- 5E4 T125 [European]

**RATING OPTION C:**  
 15A 125VAC [cURus]  
 10(4)A 250V- 1E4 T85 [European]

**TEMPERATURE:** -20°C to 65°C [cURus]  
 -20°C to 105°C [cURus]  
 -20°C to 125°C [European]

**ELECTRICAL LIFE:** 10,000 Cycles  
**CONTACT RESISTANCE:** 20mΩ Max. at 1A 5VDC  
**INSULATION RESISTANCE:** 100MΩ Min. at 500VDC  
**DIELECTRIC STRENGTH:** 1,000VAC for 1 Minute

### MATERIALS:

**BODY:** Polyamide 6/6, UL94 V-2  
**ACTUATOR:** Polyamide 6/6, UL94 V-2  
 Polycarbonate, UL94 V-2  
**CONTACTS:** Silver  
**TERMINALS:** Silver Plated Copper



Series	Terminal	Function	Rating	Body Color	Actuator Color	Marking Color	Marking Type	Lens Style	Lens Color	Lamp Voltage
<input type="checkbox"/>	<input type="checkbox"/>	<input type="checkbox"/>	<input type="checkbox"/>	<input type="checkbox"/>	<input type="checkbox"/>	<input type="checkbox"/>	<input type="checkbox"/>	<input type="checkbox"/>	<input type="checkbox"/>	<input type="checkbox"/>
<b>Curved Actuators:</b>	1 - 4.8mm Tab	1 - Off-On (*)	C - 15A 125V	1 - Black	0 - Full Illum.	0 - None	0 - None	1 - Full	0 - Clear	3 - 6V
<b>RSC1</b> - 28.6 x 13.9 Cutout	4 - 6.3mm Tab (Small Hole)	3 - On-On	D - 20A 125V	2 - White	1 - Black	1 - Black	1 - I/O Vert.	1 - Red	1 - Red	4 - 12V
<b>RSC2</b> - 27.2 x 12.1 Cutout	4 - Off-(On)	4 - Off-(On)		3 - Almond	2 - White	2 - White	2 - ON/OFF/ON Vert.	2 - Amber	2 - Amber	5 - 24V
<b>RSC3</b> - 27.2 x 13.9 Cutout	5 - Solder	5 - On-Off-On		4 - Grey	4 - Grey	8 - Red	3 - ON/OFF Vert.	3 - Green	3 - Green	6 - 125V
<b>RSC4</b> - 28.6 x 12.1 Cutout	9 - 6.3mm Tab (Large Hole)	A - On-(Off)		9 - Red	5 - Orange		4 - ON/OFF Horiz.	4 - Blue	4 - Blue	7 - 250V
<b>Flat Actuators:</b>	C - Solder (Low Clearance)	B - On-(On)			7 - Blue		9 - I/O Horiz.			
<b>RSCF1</b> - 28.6 x 13.9 Cutout		C - On-Off-(On)			8 - Green		R - I/O Horiz.			
<b>RSCF2</b> - 27.2 x 12.1 Cutout					9 - Red		S - I/O Vert.			
<b>RSCF3</b> - 27.2 x 13.9 Cutout										
<b>RSCF4</b> - 28.6 x 12.1 Cutout										

Note:  
 \* = Option Available with Illumination

Custom Colors and Markings Available Upon Request For Illuminated Switches Only

### EXAMPLE PART NUMBERS:

RSC141D1000-126	1P Off-On Black Body, Amber Illum. Actuator, 125V
RSC141D1100	1P Off-On Black Body/Actuator, No Marking
RSC141D1121	1P Off-On Black Body/Actuator, I/O Vert.
RSC141D2200	1P Off-On White Body/Actuator, No Marking



**E-SWITCH®**

SPECIFICATIONS SUBJECT TO CHANGE WITHOUT NOTICE