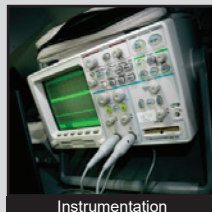
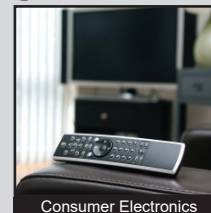
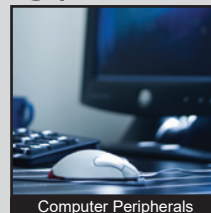
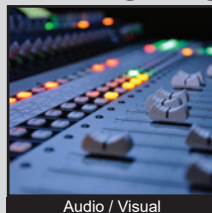


TL1220 SERIES TACT SWITCH

ANTI-VANDAL SWITCHES
 DETECTOR SWITCHES
 DIP SWITCHES
 KEYLOCK SWITCHES
 NAVIGATION SWITCHES
 PUSHBUTTON SWITCHES
 ROCKER SWITCHES
 ROTARY SWITCHES
 SLIDE SWITCHES
 SNAP ACTION SWITCHES
TACTILE SWITCHES
 TOGGLE SWITCHES
 CAP OPTIONS



APPLICATIONS / MARKETS



RoHS

SPECIFICATIONS

Electrical Rating: 50mA @ 12VDC
Life Expectancy: 500,000 cycles
Contact Resistance: 100mΩ @ 1.5 VDC Max. Initial
Insulation Resistance: 100 MΩ Min. at 500VAC
Dielectric Strength: 500VAC for 1 min.
Operating Temperature: -40°C to 85°C
Operating Force: 180 gf ± 50gf
Travel: 0.20mm ± 0.1mm
Contact Arrangement: SPST

FEATURES & BENEFITS

- Multiple illuminated cap options
- Single color and bi-color LED options
- Sharp tactile response

PART NUMBER CONFIGURATOR

| Series | Button | Bezel | Bezel Color | Button Color | LED Color | Graphic |
|---|---|--|---|--|---|--|
| <input type="checkbox"/> <input type="checkbox"/> <input type="checkbox"/> <input type="checkbox"/> <input type="checkbox"/> <input type="checkbox"/> TL1220 | <input type="checkbox"/> <input type="checkbox"/> N - No Button S1 - 7.5mm sq. short S2 - 7.5mm sq. tall S3 - 10x14 rect.* S4 - 10x19 rect.* S5 - 12mm sq. * (W-tran. white only) S6 - 9.6x13.7 rect.* (T-tran. green only) R1 - 7.0mm dia. R2 - 8.0mm dia. R3 - 10.0mm dia. R4 - 13.0mm dia. w/ I/O* R5 - 8.0mm dia. (W-tran. white only)**** | <input type="checkbox"/> N - No Bezel B - With Bezel | <input type="checkbox"/> N - No Bezel B - Black G - Gray | <input type="checkbox"/> N - No Button B - Black G - Gray R - Red S - Silver W - Translucent White** T - Translucent Green*** | <input type="checkbox"/> N - No LED R - Red G - Green Y - Yellow B - Blue W - White RG - Red-Green RY - Red-Yellow RB - Red-Blue YG - Yellow-Green YB - Yellow-Blue GB - Green-Blue | <input type="checkbox"/> N - No Graphic |

* The S3, S4, S5, S6 and R4 buttons are not available with bezel options.
 ** W-Translucent white is only available with R5 and S5 buttons
 *** T-Translucent green is only available with S6 button
 **** R5 is only available with bezel option

Specifications subject to change without notice



E-SWITCH®

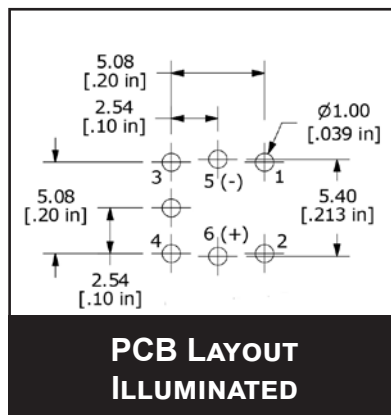
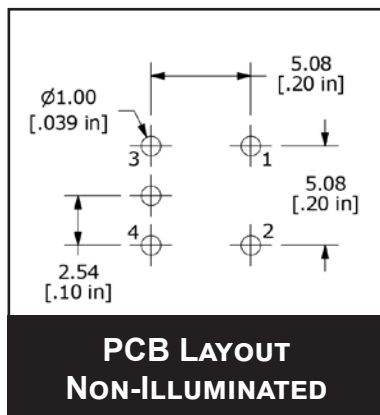
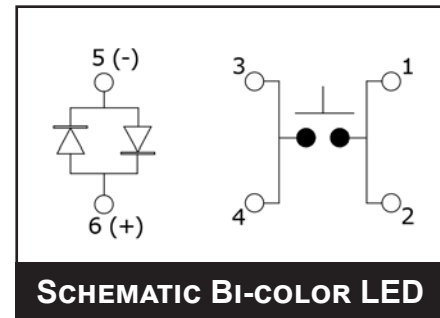
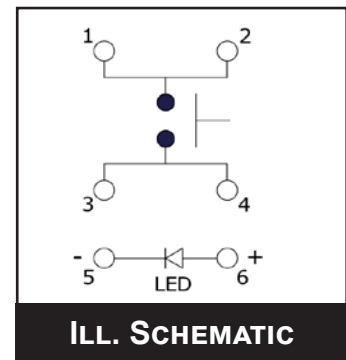
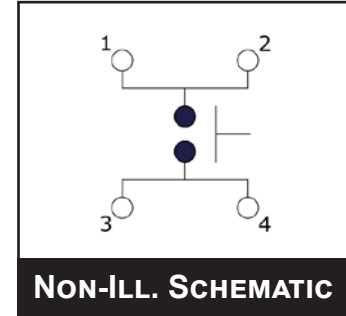
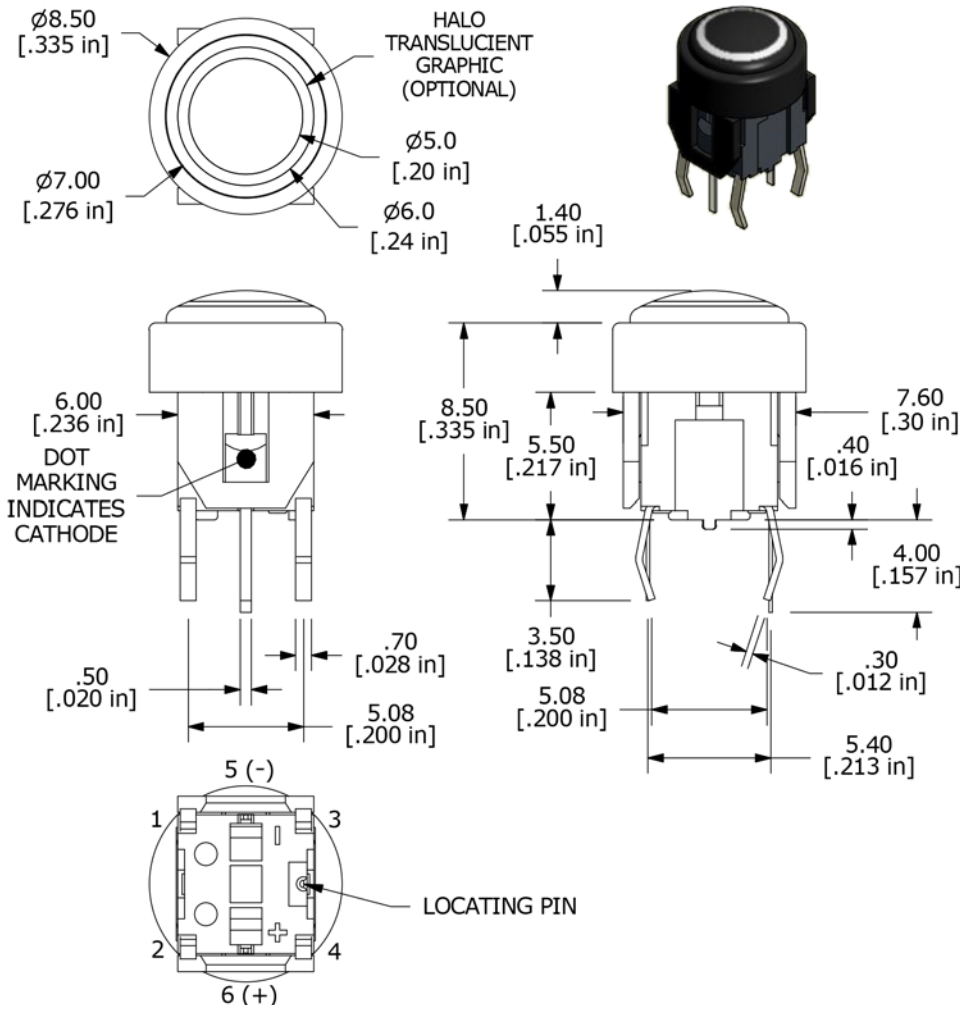
www.e-switch.com

800.867.2717

2

TL1220 SERIES TACT SWITCH

R1 BUTTON - 7MM DIA.

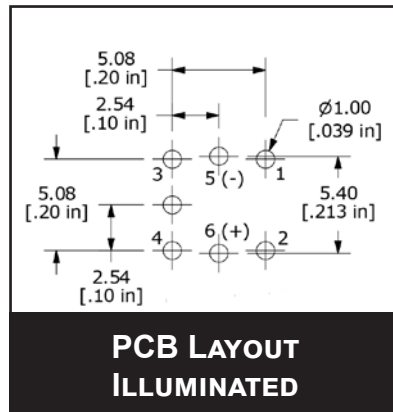
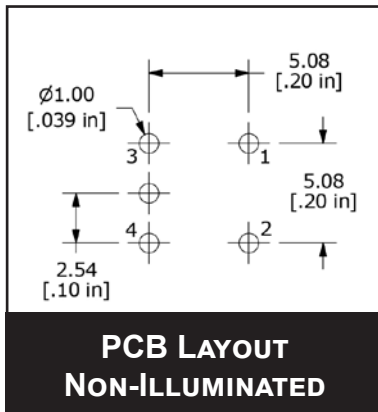
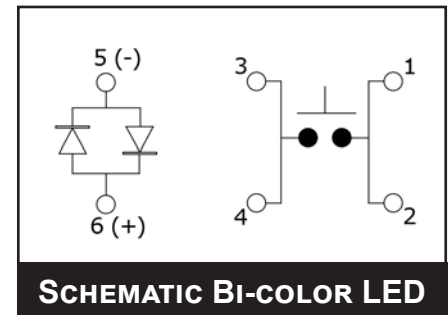
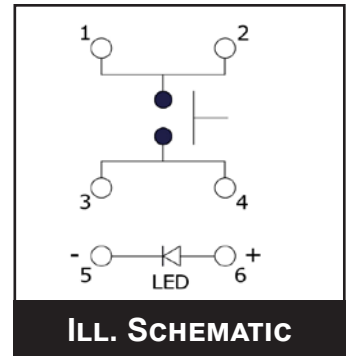
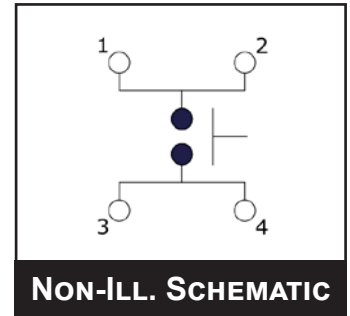
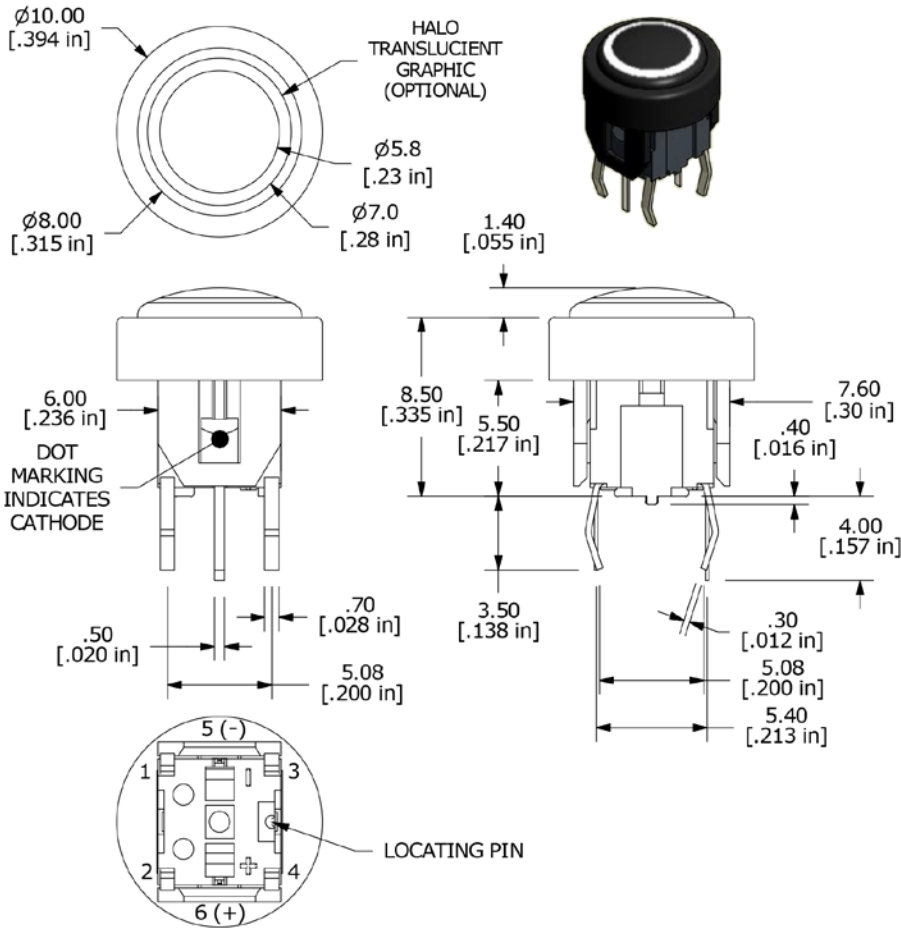


ANTI-VANDAL SWITCHES
 DETECTOR SWITCHES
 DIP SWITCHES
 KEYLOCK SWITCHES
 NAVIGATION SWITCHES
 PUSHBUTTON SWITCHES
 ROTARY SWITCHES
 SLIDE SWITCHES
 SNAP ACTION SWITCHES
 TACTILE SWITCHES
 TOGGLE SWITCHES
 CAP OPTIONS

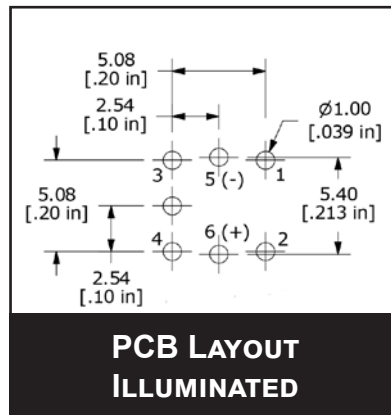
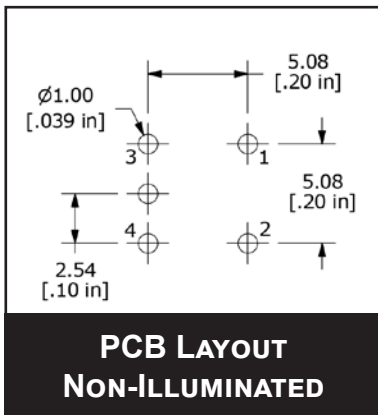
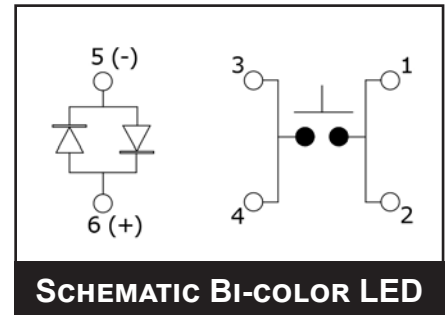
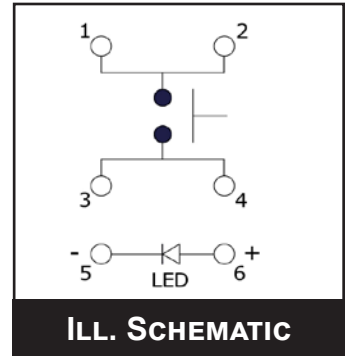
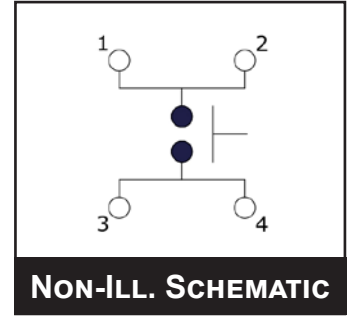
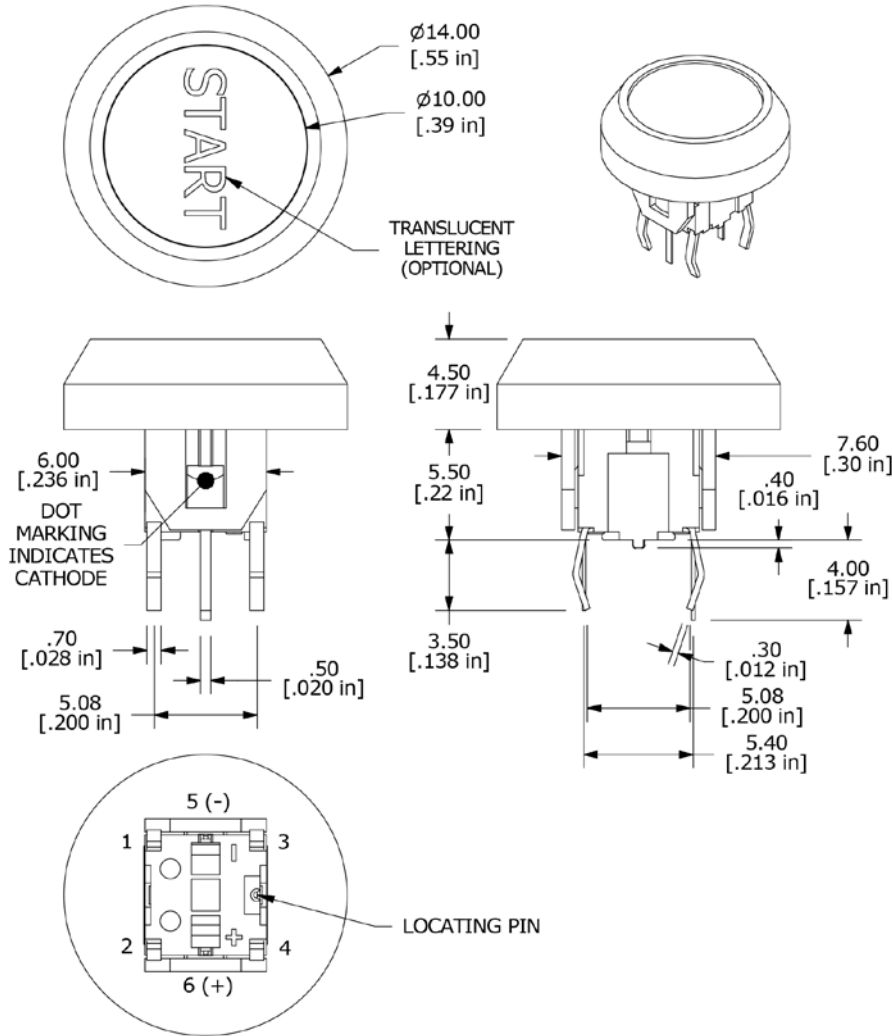
TL1220 SERIES

R2 BUTTON - 8MM DIA.

- ANTI-VANDAL SWITCHES
- DETECTOR SWITCHES
- DIP SWITCHES
- KEYLOCK SWITCHES
- NAVIGATION SWITCHES
- PUSHBUTTON SWITCHES
- ROCKER SWITCHES
- ROTARY SWITCHES
- SLIDE SWITCHES
- SNAP ACTION SWITCHES
- TACTILE SWITCHES
- TOGGLE SWITCHES
- CAP OPTIONS

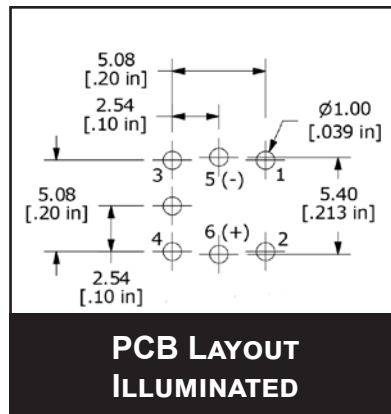
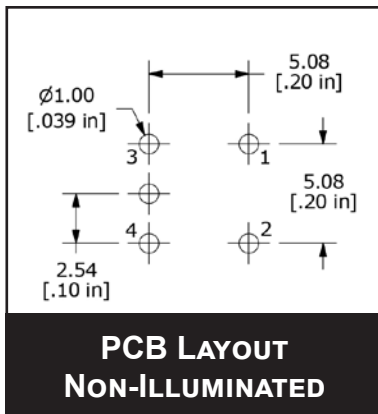
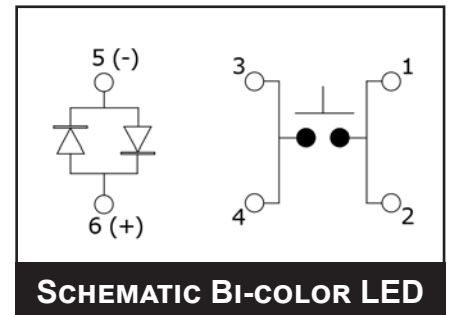
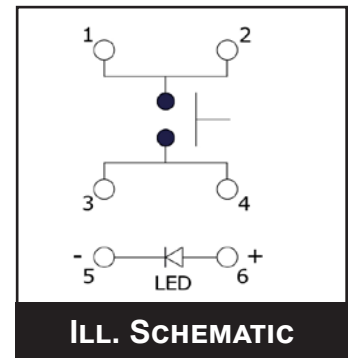
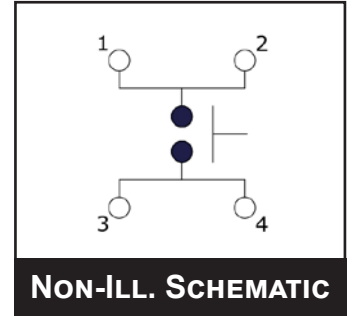
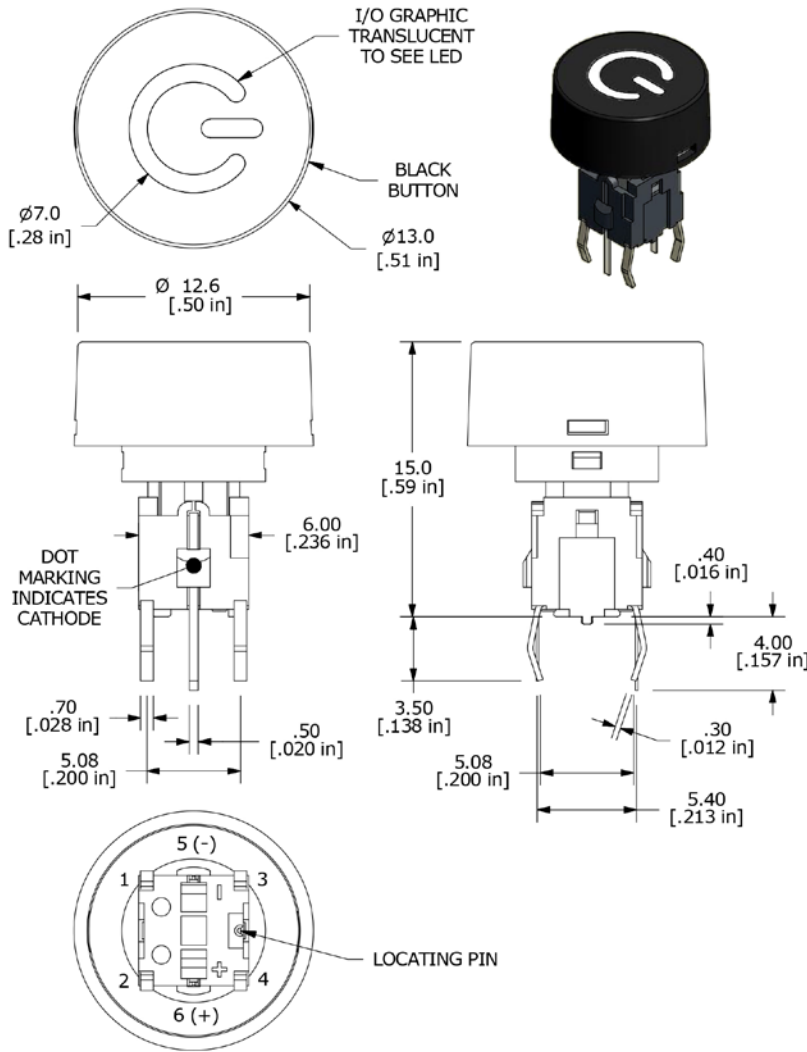


R3 BUTTON - 10MM DIA.

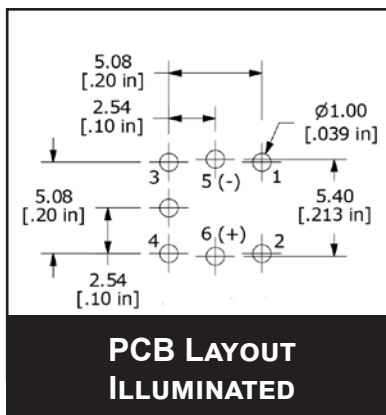
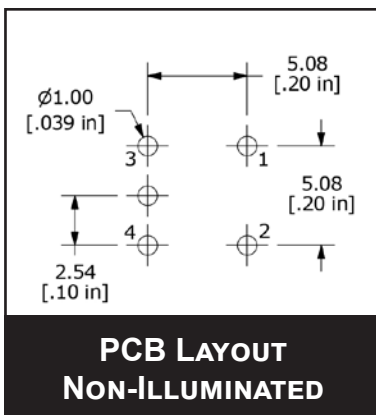
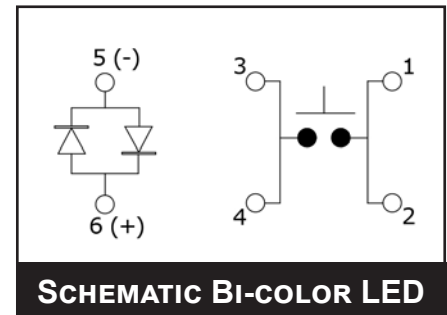
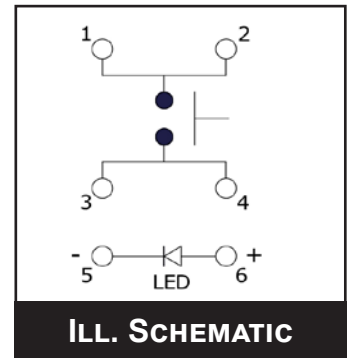
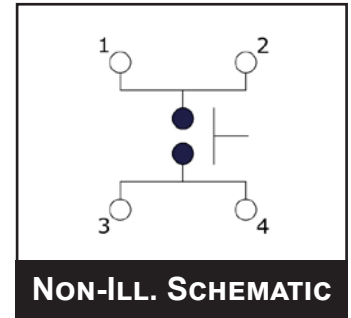
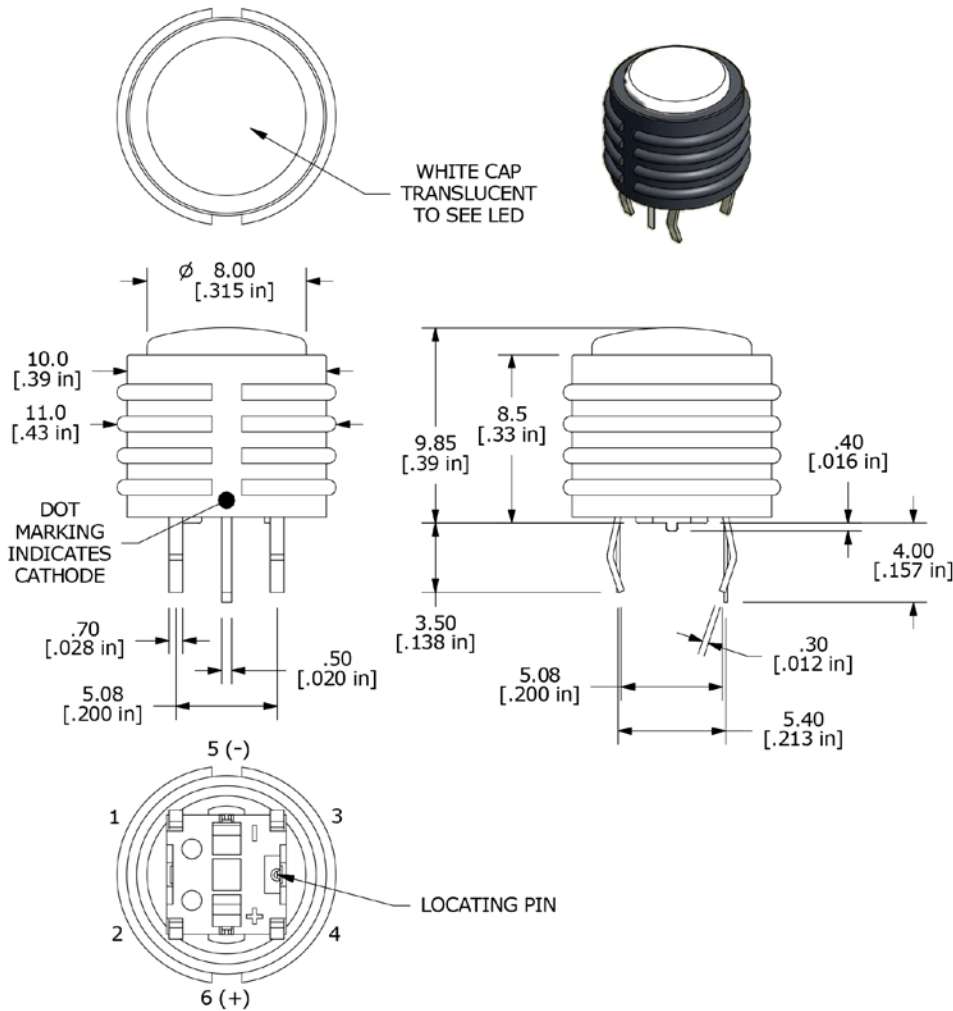


TL1220 SERIES

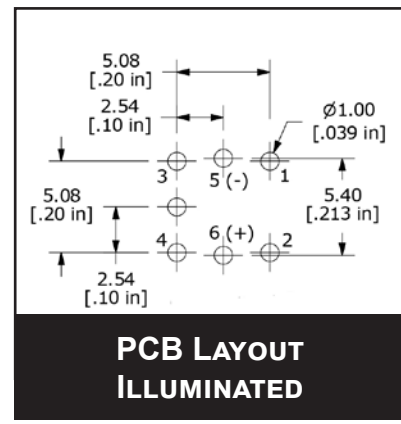
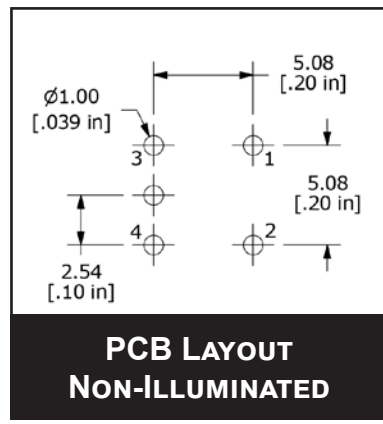
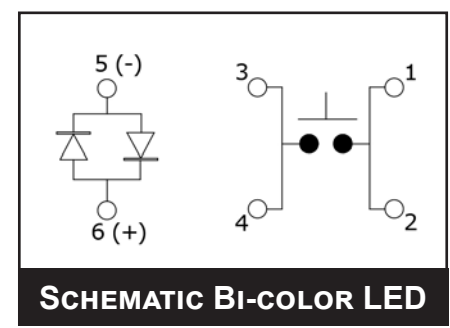
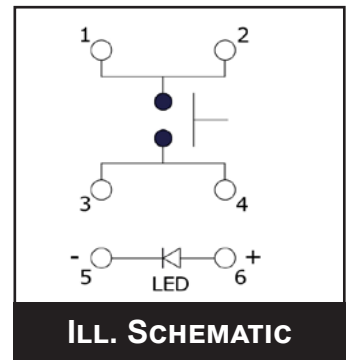
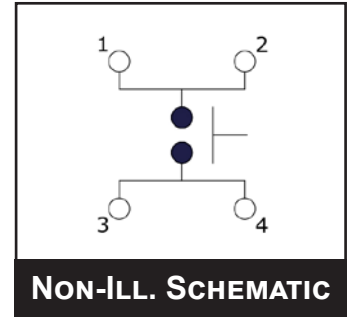
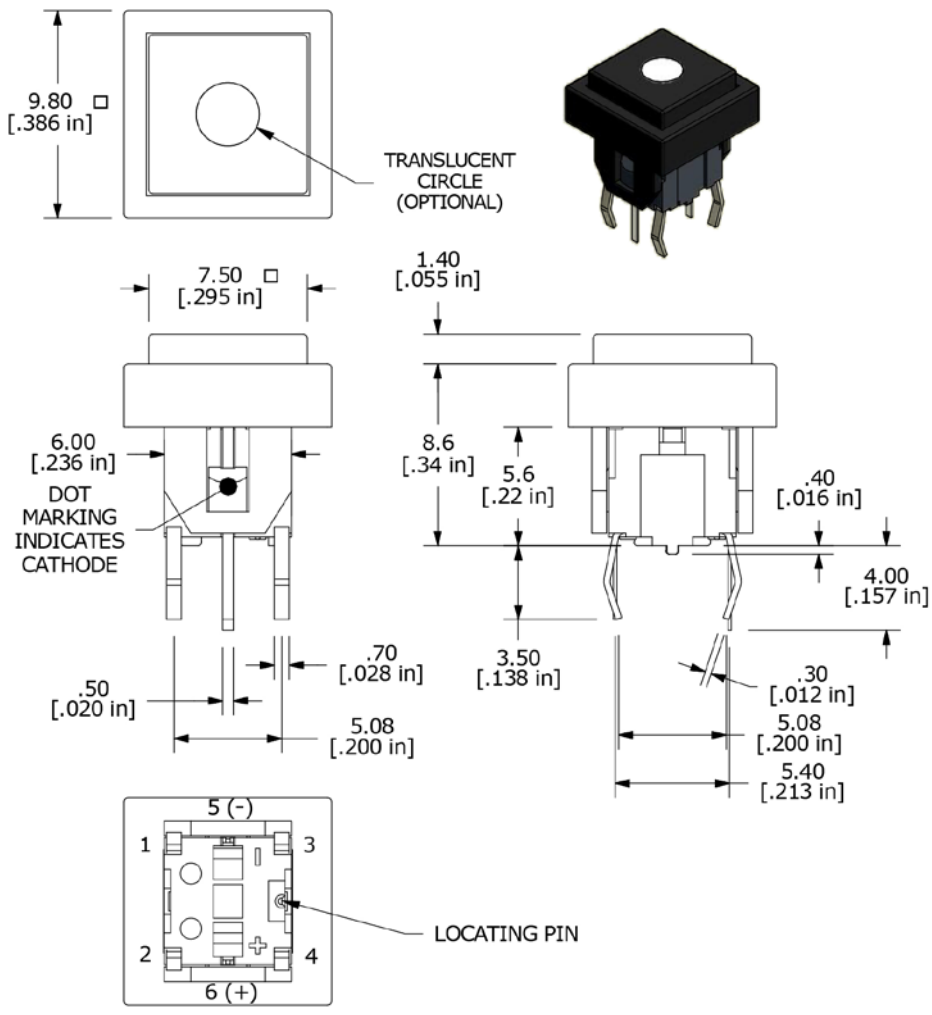
R4 BUTTON - 13MM DIA. W/ ILLUMINATED I/O



R5 BUTTON - 8MM DIA. TRANSLUCENT

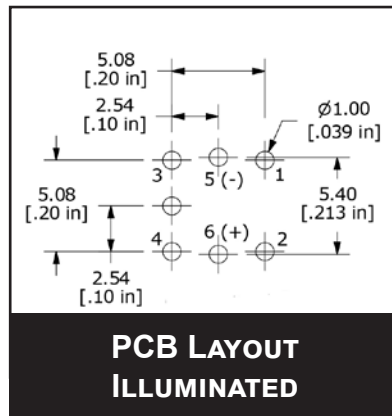
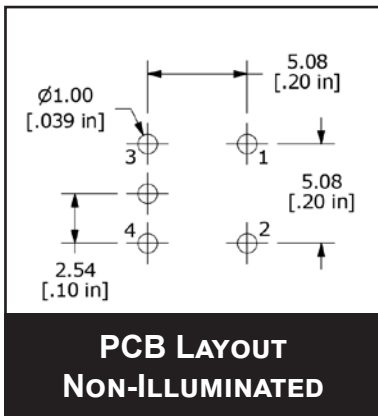
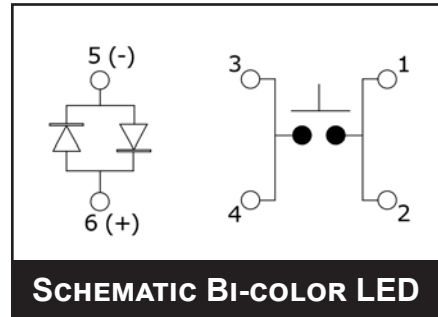
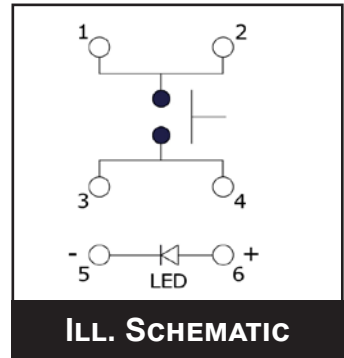
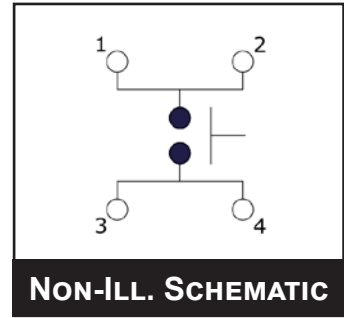
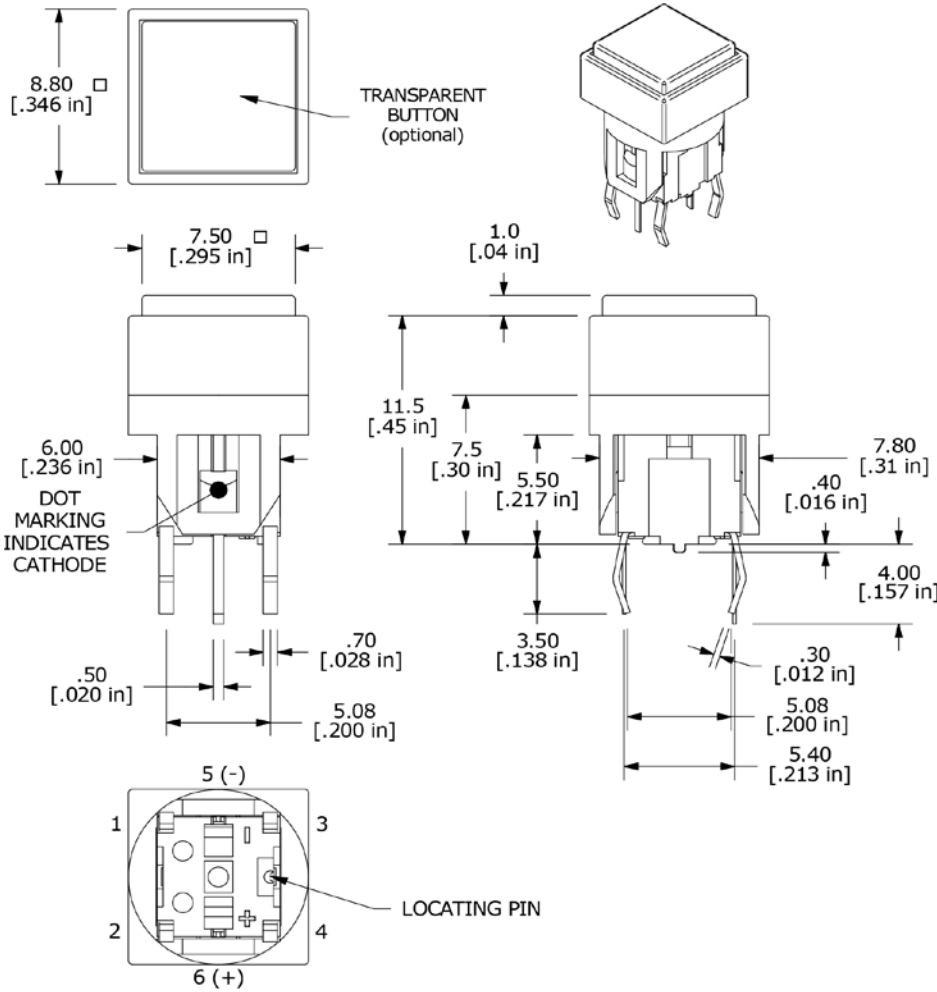


S1 BUTTON - 7.5MM SQUARE SHORT



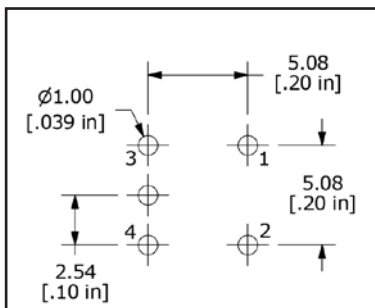
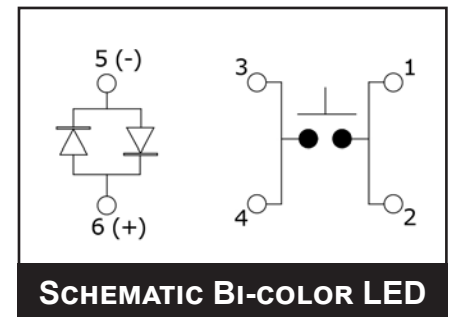
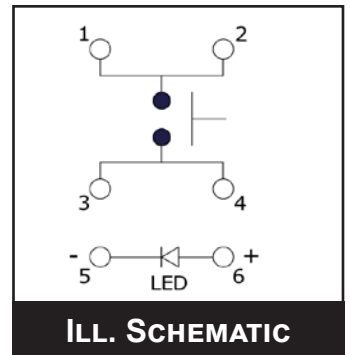
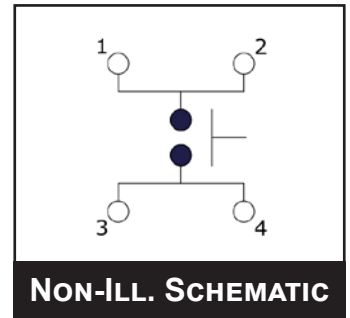
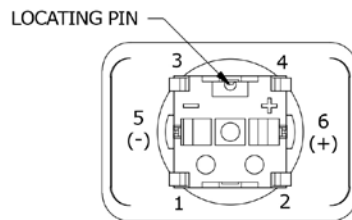
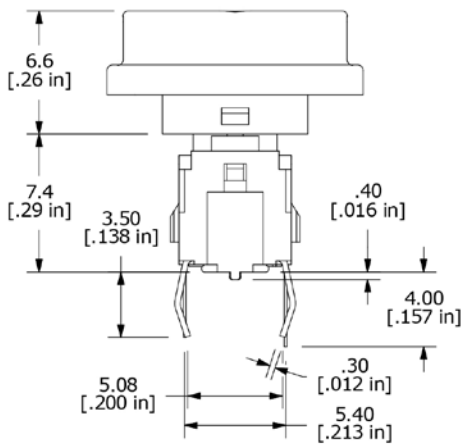
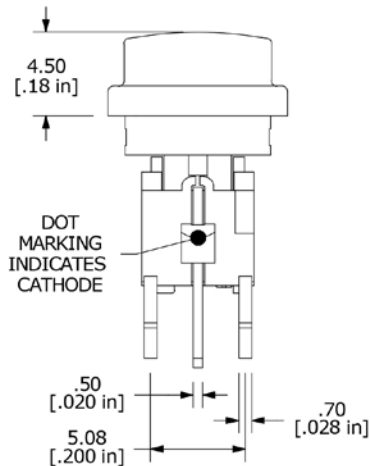
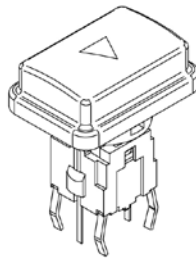
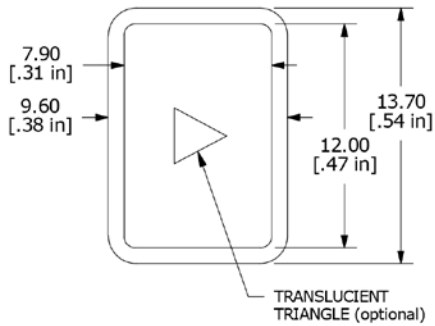
TL1220 SERIES

S2 BUTTON - 7.5 MM SQUARE TALL

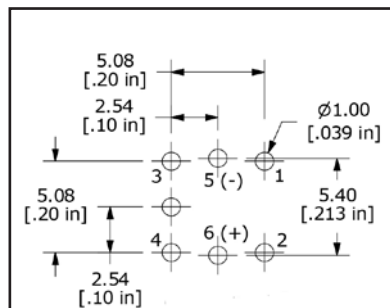


- ANTI-VANDAL SWITCHES
- DETECTOR SWITCHES
- DIP SWITCHES
- KEYLOCK SWITCHES
- NAVIGATION SWITCHES
- PUSHBUTTON SWITCHES
- ROCKER SWITCHES
- ROTARY SWITCHES
- SLIDE SWITCHES
- SNAP ACTION SWITCHES
- TACTILE SWITCHES
- TOGGLE SWITCHES
- CAP OPTIONS

S3 BUTTON - 10x14MM RECTANGLE



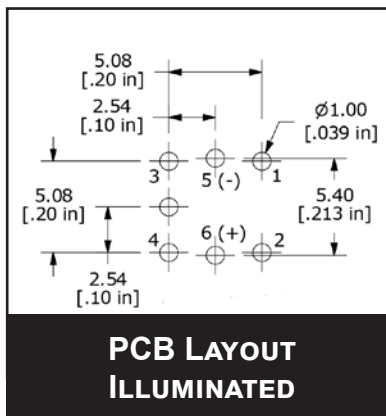
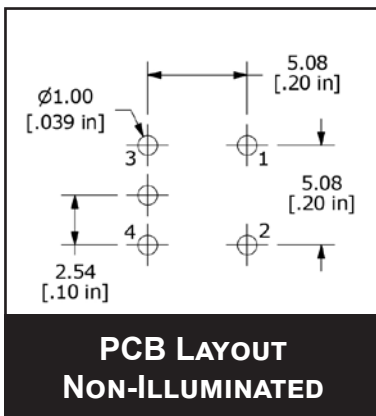
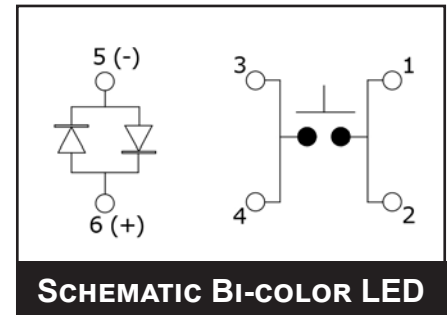
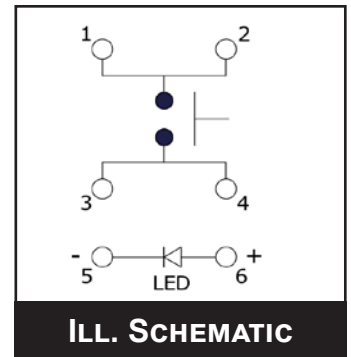
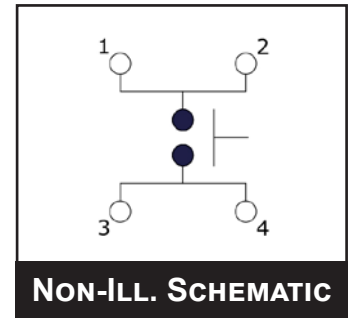
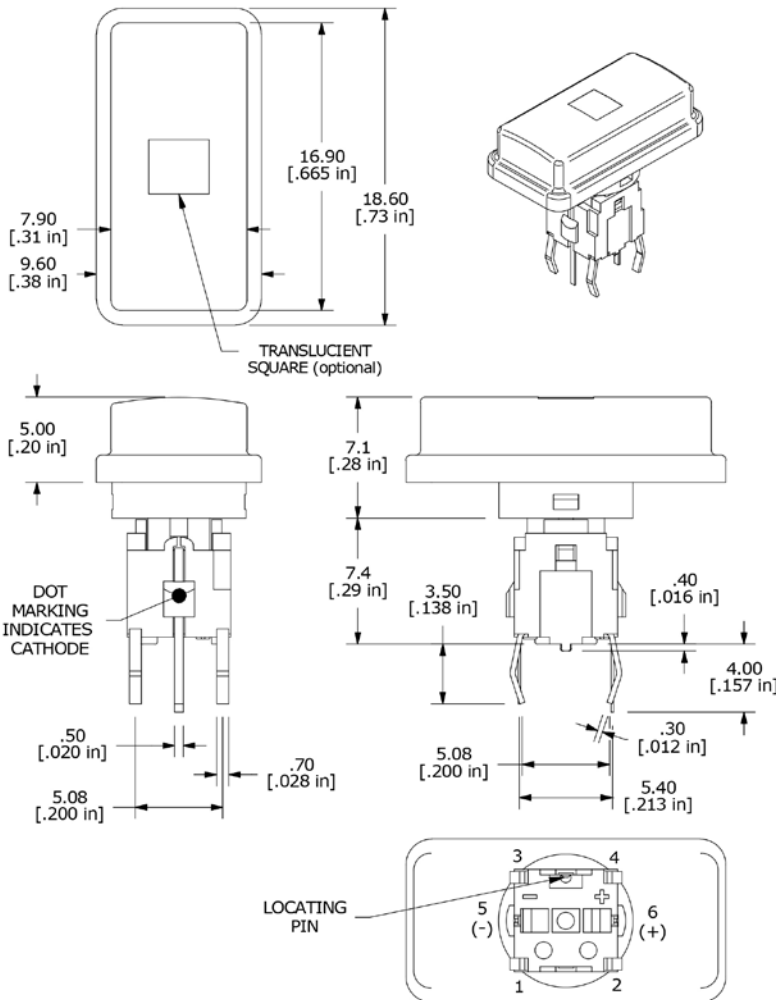
**PCB LAYOUT
NON-ILLUMINATED**



**PCB LAYOUT
ILLUMINATED**



S4 BUTTON - 10x19MM RECTANGLE

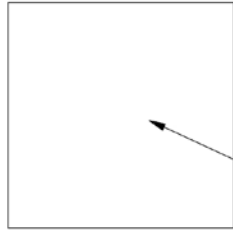


- ANTI-VANDAL SWITCHES
- DETECTOR SWITCHES
- DIP SWITCHES
- KEYLOCK SWITCHES
- NAVIGATION SWITCHES
- PUSHBUTTON SWITCHES
- ROCKER SWITCHES
- ROTARY SWITCHES
- SLIDE SWITCHES
- SNAP ACTION SWITCHES
- TACTILE SWITCHES
- TOGGLE SWITCHES
- CAP OPTIONS

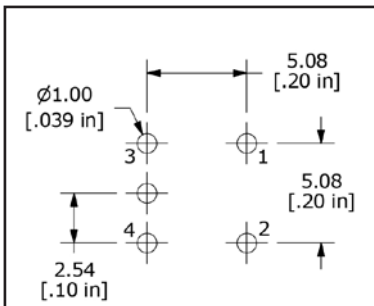
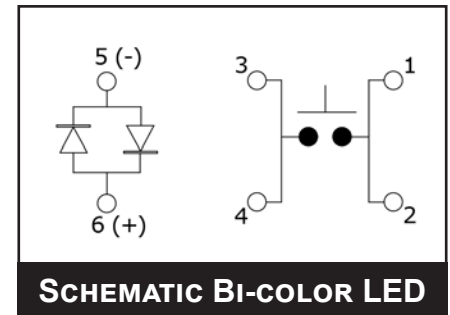
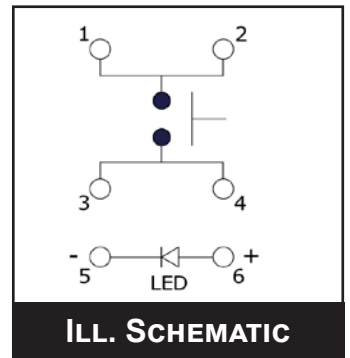
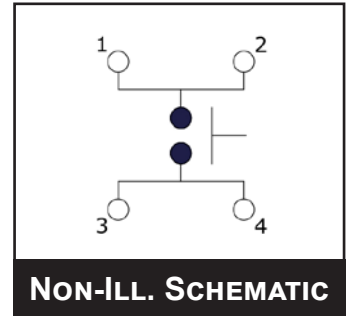
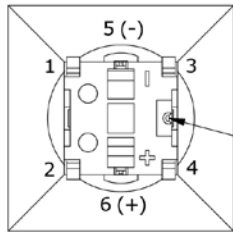
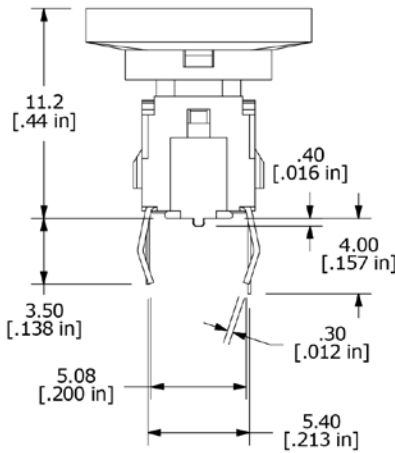
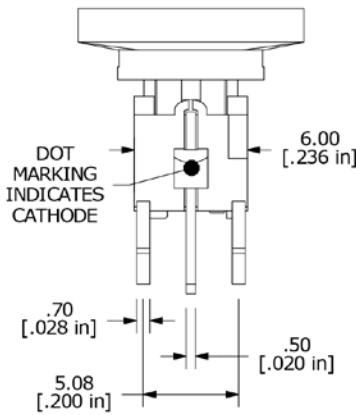
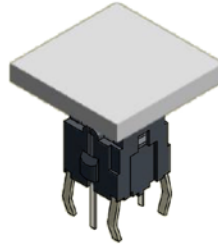


S5 BUTTON - 12MM SQUARE

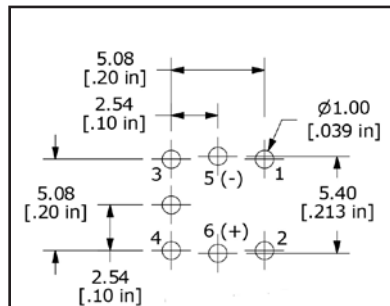
□ 12.00
[.472 in]



WHITE CAP
TRANSLUCENT
TO SEE LED



**PCB LAYOUT
NON-ILLUMINATED**



**PCB LAYOUT
ILLUMINATED**



S6 BUTTON - 9.6x13.7MM RECTANGLE GREEN TRANSLUCENT

