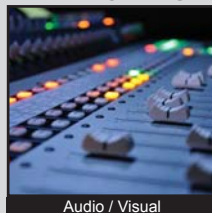


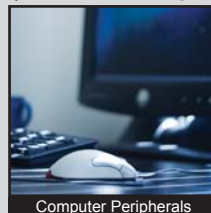
ANTI-VANDAL SWITCHES
 DETECTOR SWITCHES
 DIP SWITCHES
 KEYLOCK SWITCHES
 NAVIGATION SWITCHES
 PUSHBUTTON SWITCHES
 ROCKER SWITCHES
 ROTARY SWITCHES
 SLIDE SWITCHES
 SNAP ACTION SWITCHES
TACTILE SWITCHES
 TOGGLE SWITCHES
 CAP OPTIONS



APPLICATIONS / MARKETS



Audio / Visual



Computer Peripherals



Consumer Electronics



Instrumentation



Medical Equipment



Telecommunication

RoHS

SPECIFICATIONS

Electrical Rating: 50mA 12VDC
Life Expectancy: 500,000 Cycles
Contact Resistance: 100mΩ Max.
Insulation Resistance: 100MΩ Min. at 500VDC
Dielectric Strength: 500VDC for 1 Minute
Operating Temperature: -20°C to 70°C
Operating Force: 160gf ± 50gf
Travel: 0.20mm ± 0.10mm

Function: SPST, Off-(On), Momentary

FEATURES & BENEFITS

- 500,000 cycle life expectancy
- Multiple cap options
- Illumination options

PART NUMBER CONFIGURATOR

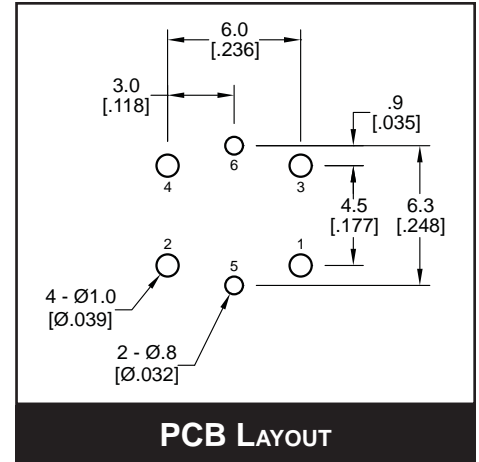
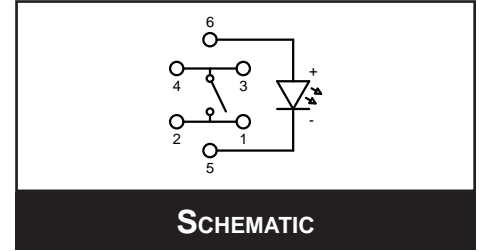
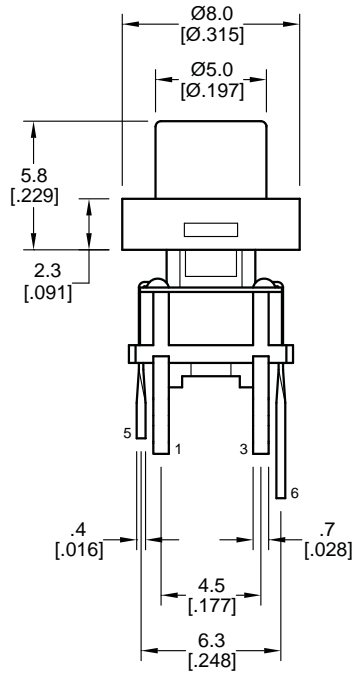
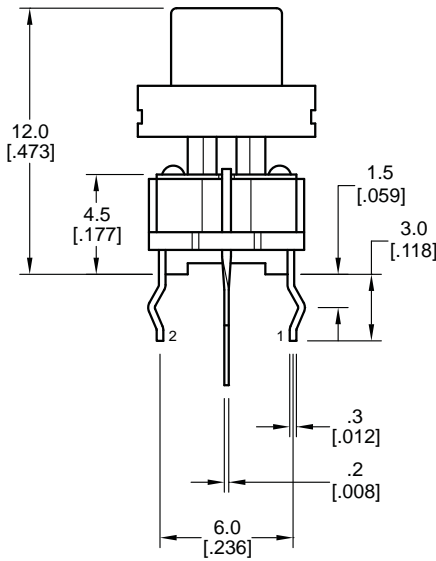
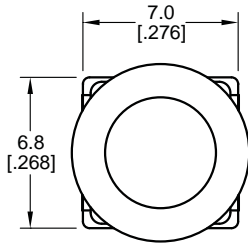
Series	Model	LED Option	Contact Material	Cap Option	Cap Color
<input type="checkbox"/>	<input type="checkbox"/>	<input type="checkbox"/>	<input type="checkbox"/>	<input type="checkbox"/>	<input type="checkbox"/>
TL	1265	A - None B - Blue R - Red G - Green Y - Yellow W - White	Q - Silver	R - 8mm Diameter, Round Flat S - 5mm Diameter, Round T - 4.7mm Diameter, Round N - No Cap	BLK - Black *GRN - Green *RED - Red *GRY - Gray *YEL - Yellow **CLR - Clear

* Available in "R" cap option only
 ** "CLR" cap not available in "R" cap option

Specifications subject to change without notice



BODY DIMENSIONS



LED SPECIFICATIONS

LED Specifications			
Color	Forward Current mA (Nom.)	Forward Voltage Voltage at 20mA (Typ-Max)	Luminous Intensity mcd (Typ.) at 20mA
Red	20	1.95 - 2.5	1800
Blue	20	2.9 - 4.0	150
Green	20	2.1 - 2.5	800
Yellow	20	2.0 - 2.5	1800
White	20	3.2 - 4.0	150

