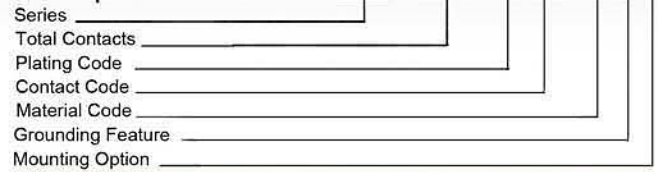




SERIES 633/634



Example Part Number 634 - 015 - 6 32 - 0 4 2



FEATURES

High-density three contact rows with .350 (8.89) footprint right angle bend

.090 (2.29) contact spacing x .078 (1.98) row spacing

Optional 9th contact recessed by .050 (1.27) on 15-pin part, in accordance with VESA Display Data Channel Standard

Receptacles and plugs 15-, 26-, 44-, 62- and 78-pin contact sizes

Socket contact mating design with PC tail termination

Metal shell provides EMI/RFI shielding, Plug Shell indents provide grounding and additional mating retention

Grounding features include top or bottom ground plates and two- or four-prong boardlock for exceptional retention to PC Board

Mounting options for panel mount or connector mating include through hole, threaded inserts and threaded standoffs

D-shaped connector mating outline provides polarization Design based on requirements of MIL-C-24308, EIA RS-232 and RS-449

SPECIFICATIONS

Insulator Material: Thermoplastic polyester UL 94V-0; chemical resistant; colour - black or blue

Ferrite Specifications: Attenuation - 17db MIN @ 30Mhz, 25dB MIN @ 50MHz, and 40dB @ 100Mhz

Contact Material: Receptacle contacts - phosphor bronze

Contact Plating: Gold (see Ordering Code) over nickel for the mating area; tin plating on contact tails

Shell Material: Tin-plated steel

Current Rating: 5 amperes

Contact Resistance: 10 milliohms maximum

Dielectric Withstanding Voltage: 1000 V AC rms at sea level

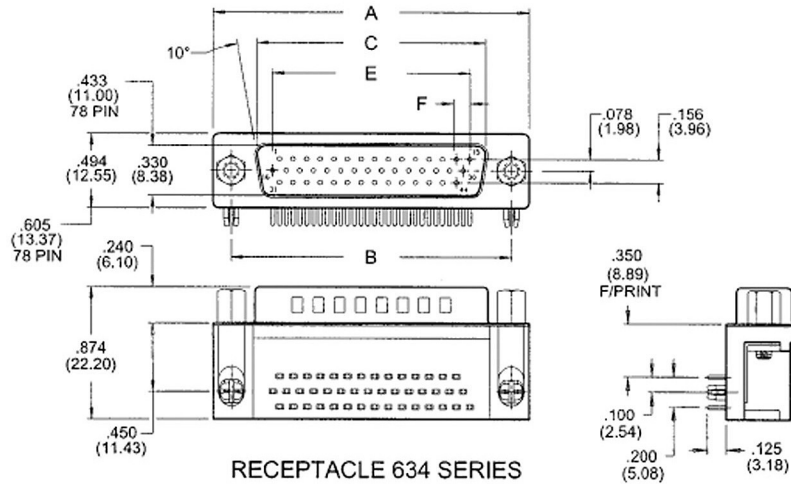
Insulation Resistance: 5000 megohm minimum

Operating Temperature: -55 to + 105 degrees C

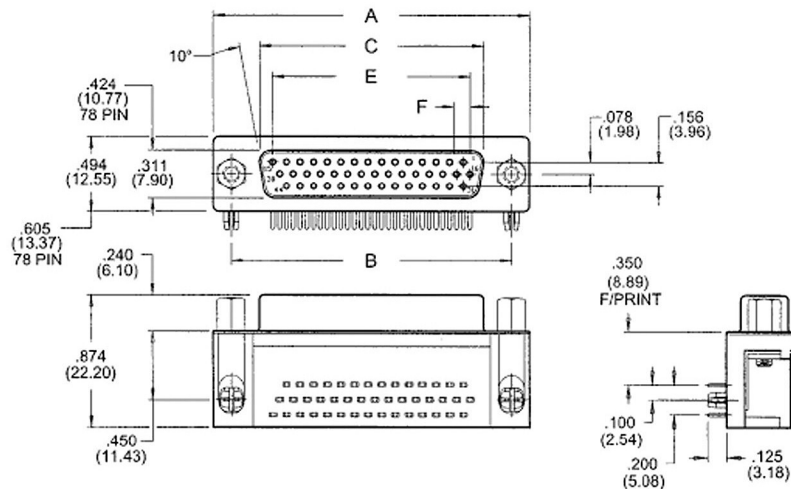
Engagement and Separation Force: 1 to 10 oz (0.28 to 2.78 N) per contact position

| | |
|--------------------------|---|
| Series | |
| 633 | Plug |
| 634 | Receptacle |
| <hr/> | |
| Total Contacts | 015, 026, 044, 062 (078 Female Only) |
| <hr/> | |
| Plating Code | |
| 2 | Gold Flash (Class 3) |
| 5 | 10u" (0.25um) (Class 2) |
| 6 | 30u" (0.76um) (Class 1) |
| <hr/> | |
| Contact Code | |
| 63 | Standard contacts, black plastic |
| 68 | Ferrite Filter |
| 73 | 9th contact recessed .050 (1.27), black insulator |
| 74 | 9th contact recessed .050 (1.27), blue insulator |
| <hr/> | |
| Material Code | |
| 0 | Indicates Generic Internal Use Code |
| <hr/> | |
| Grounding Feature | |
| 1 | .120 (3.05) dia. through-hole top ground |
| 2 | .120 (3.05) dia. through-hole bottom ground (633) |
| 3 | Two-prong boardlocks for .120 (3.05) dia. hole |
| 4 | Four-prong boardlocks for .120 (3.05) dia. hole |
| 9 | High-temperature four-prong boardlocks |
| <hr/> | |
| Mounting Option | |
| 0 | Fixed round standoff with threaded insert |
| 1 | .125" (3.18mm) dia. through-hole |
| 2 | #4-40 UNC threaded insert |
| 3 | #4-40 threaded hex standoff |

PLUG 633 SERIES



RECEPTACLE 634 SERIES



| NUMBER OF CONTACTS | A | | B | | C PLUG | | C RECEPTACLE | | E | | F | |
|--------------------|-------|---------|-------|---------|--------|---------|--------------|---------|-------|---------|------|--------|
| | Inch | (mm) | Inch | (mm) | Inch | (mm) | Inch | (mm) | Inch | (mm) | Inch | (mm) |
| 15 | 1.214 | (30.84) | .984 | (24.99) | .667 | (16.92) | .640 | (16.26) | .405 | (10.29) | .090 | (2.29) |
| 26 | 1.545 | (39.24) | 1.312 | (33.32) | .994 | (25.25) | .967 | (24.56) | .765 | (19.43) | .090 | (2.29) |
| 44 | 2.088 | (53.04) | 1.852 | (47.04) | 1.534 | (38.96) | 1.508 | (38.30) | 1.305 | (33.15) | .090 | (2.29) |
| 62 | 2.730 | (69.34) | 2.500 | (63.50) | 2.182 | (55.42) | 2.156 | (54.76) | 1.947 | (49.45) | .095 | (2.41) |
| 78 | 2.635 | (66.93) | 2.406 | (61.11) | 2.090 | (53.08) | 2.064 | (52.43) | 1.805 | (45.85) | .095 | (2.41) |