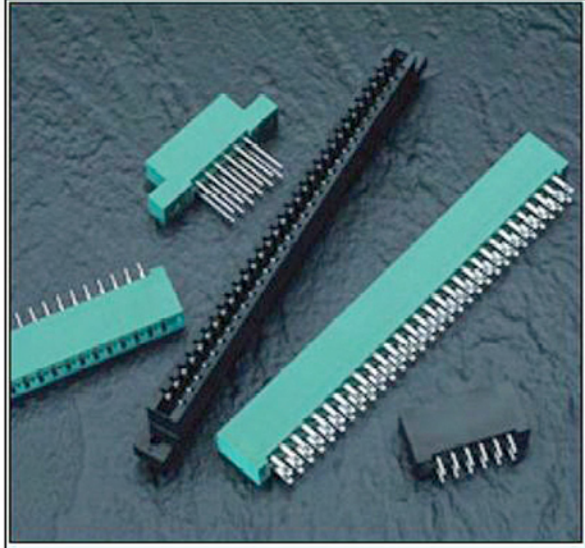




SERIES 345/395



FEATURES

- UL Recognized
- .100 (2.54) Contact Spacing x .200 (5.08) Row Spacing
- Accepts .062 (1.57) Nominal Thickness P.C. Board
- High Profile Insulator Body, .600 (15.24)
- Contact Termination Options include P.C Tail, Wire Hole, Wire Wrap, 90 Degree & Extender Board Bends
- Single or Dual Row Configurations
- Large Variety of Mounting Options, Flush or Offset Lugs
- Pre-assembled Card Guides Available
- Accepts Between Contact and In-Contact Polarizing Keys
- Automatic Wire Wrap Positioning Holes

SPECIFICATIONS

- Insulator Material: Thermoplastic Polyester, UL 94V-0.
- Contact Material: Copper, Nickel, Tin Alloy CA-725
- Contact Plating: Gold on the Mating Area, Tin on the Contact Tails, Nickel Underplate
- Current Rating: 3 Amperes Continuous
- Contact Resistance: 10 Milliohms Maximum
- Dielectric Withstanding Voltage: 1200 V AC rms at Sea Level Between Adjacent Contacts
- Insulation Resistance: 5000 Megohms Minimum
- Operating Temperature: -65 to +105 Degrees C
- Insertion Force: 16 oz (4.45 N) Maximum per Contact Pair when Tested with a .070 (1.78) Thick Gauge
- Withdrawal Force: 1 oz (.28 N) Minimum per Contact Pair when Tested with a .054 (1.37) Thick Gauge

Example Part Number 345 - 050 - 520 - 2 02

Series _____
 Total Number of Contacts _____
 Contact Code _____
 Contact Rows and Insulator Style _____
 Mounting Options _____

| Series | Insulator Colour |
|--------|------------------|
| 345 | Green |
| 395 | Black |

| Total Number of Contacts | Contact Rows |
|--------------------------|--------------|
| 005, 006, ..., 072 | Single Row |
| 010, 012, ..., 144 | Dual Row |

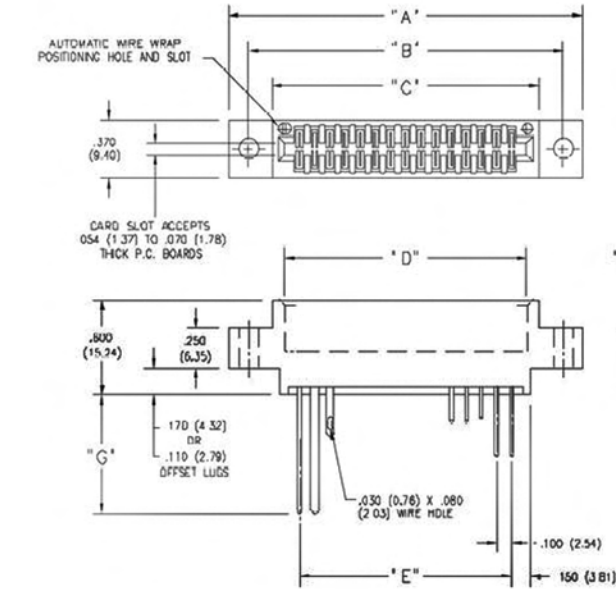
| Contact Code | Description & Tail Size | Tail Length "G" |
|--------------|---|-----------------|
| 500 | Wire Hole .050 x .025 (1.27 x 0.64) | .260 (6.60) |
| 520 | P.C. Tail .030 x .018 (0.76 x 0.46) | .175 (4.45) |
| 521 | P.C. Tail .025 Square (0.64 Square) | .150 (3.81) |
| 523 | P.C. Tail .025 Square (0.64 Square) | .390 (9.91) |
| 524 | P.C. Tail .018 Square (0.46 Square) | .175 (4.45) |
| 540 | Wire Wrap .025 Square (0.64 Square) | .560(14.22) |
| 541 | Wire Wrap .025 Square (0.64 Square) | .750(19.05) |
| 542 | Wire Wrap .025 Square (0.64 Square) | .645(16.38) |
| 544 | Wire Wrap .050 x .025 (1.27 x 0.64) | .750(19.05) |
| 555 | Extender Board Bend (Code 500 Contacts) | |
| 556 | Extender Board Bend (Code 520 Contacts) | |
| 558 | 90 Degree Bend (Code 541 Contacts) | |
| 559 | 90 Degree Bend (code 541 Contacts) | |
| 560 | Extender Board Bend (Code 523 Contacts) | |

| Contact Rows and Insulator Style | Description |
|----------------------------------|-------------------------------------|
| 1 | Single Row, Flush Mounting Lugs |
| 2 | Dual Row, Flush Mounting Lugs |
| 4 | Single Row, .110 (2.79) Offset Lugs |
| 5 | Dual Row, .110 (2.79) Offset Lugs |
| 6 | Single Row, .170 (4.32) Offset Lugs |
| 8 | Dual Row, .170 (4.32) Offset Lugs |

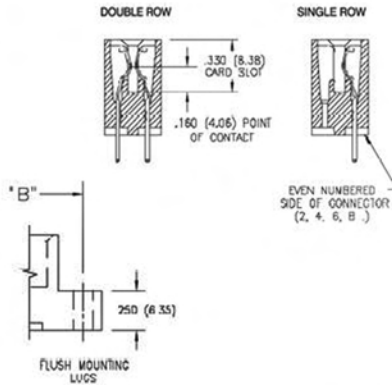
| Mounting Options | Description |
|------------------|--|
| 01 | No Mounting Lugs |
| 02 | .128 (3.25) Dia. Mounting Holes |
| 03 | .116 (2.95) I.D. Floating Eyelets |
| 04 | .156 (3.96) Dia. Mounting Holes |
| 07 | M3-0.5 Metric Threaded Inserts |
| 08 | #4-40 Unified Threaded Inserts |
| 12 | .128 (3.25) Dia. Side Mounting Holes |
| 58 | .468 (11.89) Offset Card Guides |
| 78 | In-Line Card Guides 2.750 (69.85) Long |
| 88 | In-Line Card Guides 1.250 (31.75) Long |

Ordering Code Notes

- All connector sizes up to 72 contacts single row / 144 contacts dual row are available upon request
- The 500 contact code is only available in the 345 series. Diallyl Phthalate insulator material will be supplied
- For lugless connectors, code 01 mounting, specify contact rows codes 1 or 2



SECTIONS THROUGH CONTACT POSITION

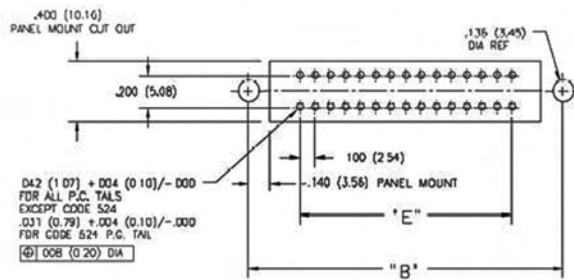


IN-CONTACT POLARIZING KEY

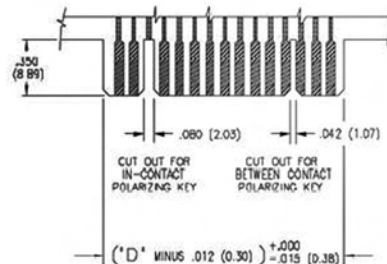
P/N 345-240-326

BETWEEN CONTACT POLARIZING KEY

P/N 345-240-318



CONNECTOR MOUNTING PATTERN



RECOMMENDED DAUGHTER BOARD

| NUMBER OF CONTACTS | | "A" | | "B" | | "C" | | "D" | | "E" | |
|--------------------|------|-------|----------|-------|----------|-------|----------|-------|----------|-------|----------|
| Single | Dual | Inch | (mm) | Inch | (mm) | Inch | (mm) | Inch | (mm) | Inch | (mm) |
| 5 | 10 | 1.335 | (33.91) | 1.075 | (27.31) | .760 | (19.30) | .600 | (15.24) | .400 | (10.16) |
| 10 | 20 | 1.835 | (46.61) | 1.575 | (40.01) | 1.200 | (30.00) | 1.100 | (27.94) | .900 | (22.86) |
| 13 | 26 | 2.125 | (54.23) | 1.875 | (47.63) | 1.560 | (39.62) | 1.400 | (35.56) | 1.200 | (30.48) |
| 15 | 30 | 2.335 | (59.31) | 2.075 | (52.71) | 1.760 | (44.70) | 1.600 | (40.64) | 1.400 | (35.56) |
| 18 | 36 | 2.635 | (66.93) | 2.375 | (60.33) | 2.060 | (52.32) | 1.900 | (48.26) | 1.700 | (43.18) |
| 22 | 44 | 3.035 | (77.09) | 2.775 | (70.49) | 2.460 | (62.48) | 2.300 | (58.42) | 2.100 | (53.34) |
| 25 | 50 | 3.335 | (84.71) | 3.075 | (78.11) | 2.760 | (70.10) | 2.600 | (66.04) | 2.400 | (60.96) |
| 30 | 60 | 3.835 | (97.41) | 3.575 | (90.81) | 3.260 | (82.80) | 3.100 | (78.74) | 2.900 | (73.66) |
| 31 | 62 | 3.935 | (99.95) | 3.675 | (93.35) | 3.360 | (85.34) | 3.200 | (81.28) | 3.000 | (76.20) |
| 36 | 72 | 4.435 | (112.65) | 4.175 | (106.05) | 3.860 | (98.04) | 3.700 | (93.98) | 3.500 | (88.90) |
| 43 | 86 | 5.135 | (130.43) | 4.875 | (123.83) | 4.560 | (115.82) | 4.400 | (111.76) | 4.200 | (106.68) |
| 50 | 100 | 5.835 | (148.21) | 5.575 | (141.61) | 5.260 | (133.60) | 5.100 | (129.54) | 4.900 | (124.46) |
| 60 | 120 | 6.835 | (173.61) | 6.575 | (167.01) | 6.260 | (159.00) | 6.100 | (154.94) | 5.900 | (149.86) |
| 72 | 144 | 8.035 | (204.09) | 7.775 | (197.49) | 7.460 | (189.48) | 7.300 | (185.42) | 7.100 | (180.34) |

Dimensions of Other Connector Sizes are Listed