



SERIES 307/357



FEATURES

UL Recognized
 .156 (3.96) Contact Spacing x .200 (5.08) Row Spacing
 Accepts .062 (1.57) Nominal Thickness P.C. Board
 Low Profile Insulator Body .437 (12.01)

Contact Termination Options include P.C Tail, Wire Hole, Wire Wrap, 90 Degree & Extender Board Bends
 Single or Dual Row Configurations

Large Variety of Mounting Options
 Pre-assembled Card Guides Available
 Accepts Between Contact & In-Contact Polarizing Keys

SPECIFICATIONS

Insulator Material: Thermoplastic Polyester, UL 94V-0.
 Contact Material: Copper, Nickel, Tin Alloy CA-725
 Contact Plating: Gold on the Mating Area, Tin on the Contact Tails, Nickel Underplate

Current Rating: 5 Amperes Continuous
 Contact Resistance: 10 Milliohms Maximum
 Dielectric Withstanding Voltage: 1800 V AC rms at Sea Level Between Adjacent Contacts
 Insulation Resistance: 5000 Megohms Minimum
 Operating Temperature: -65 to +105 Degrees C
 Insertion Force: 16 oz (4.45 N) Maximum per Contact Pair when Tested with a .070 (1.78) Thick Gauge
 Withdrawal Force: 1 oz (.28 N) Minimum per Contact Pair when Tested with a .054 (1.37) Thick Gauge

Ordering Code Notes

- All connector sizes up to 44 contacts single row / 88 contacts dual row are available upon request
- For contacts with overall tin plating, change the first digit of the contact code from 5 to 4
- Single row contacts that read both sides of the daughter board are phosphor bronze CA-510 material with entire surface plated gold over nickel

Example Part Number 307 - 044 - 520 - 2 02

Series _____
 Total Number of Contacts _____
 Contact Code _____
 Contact Rows _____
 Mounting Options _____

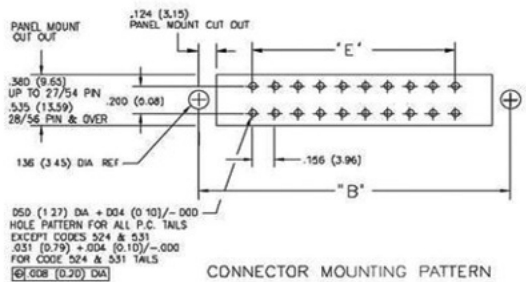
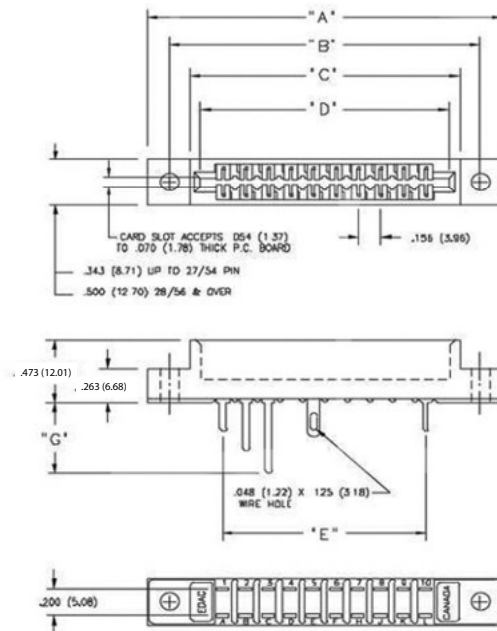
| Series | Insulator Colour |
|--------|------------------|
| 307 | Green |
| 357 | Black |

| Total Number of Contacts | Contact Rows |
|--------------------------|--------------|
| 005, 006, ..., 044 | |
| 012, 014, ..., 188 | Dual Row |

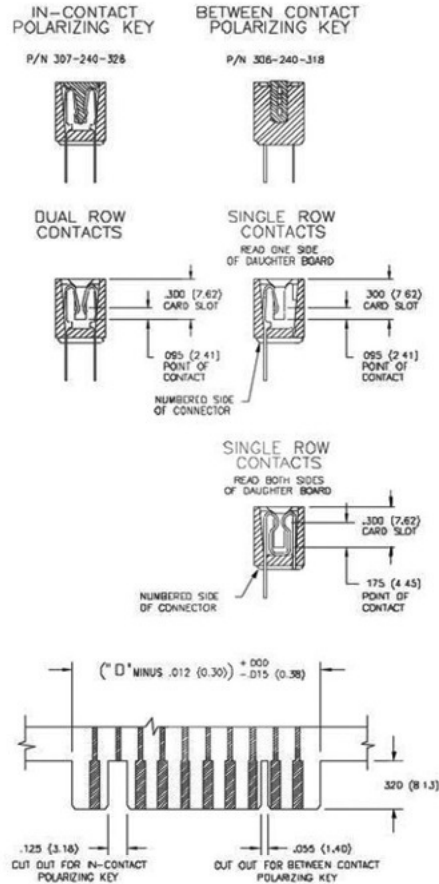
| Contact Code | Description & Tail Size | Tail Length "G" |
|--|--|-----------------|
| <i>Single Row Contacts - Read One Side of Daughter Board</i> | | |
| 505 | Wire Hole .087 x .013 (2.21 x 0.33) | .282 (7.16) |
| 525 | P.C. Tail .046 x .013 (1.17 x 0.33) | .213 (5.41) |
| 527 | P.C. Tail .046 x .013 (1.17 x 0.33) | .358 (9.09) |
| 531 | P.C. Tail .023 x .013 (0.58 x 0.33) | .213 (5.41) |
| 545 | Wire Wrap .046 x .013 (1.17 x 0.33) | .708(17.98) |
| 547 | Wire Wrap .046 x .013 (1.17 x 0.33) | .520(13.21) |
| 558 | 90 Degree Bend (Code 545 Contacts) | |
| 559 | 90 Degree Bend (Code 527 Contacts) | |
| <i>Single Row Contacts - Read Both Sides of Daughter Board</i> | | |
| 501 | Wire Hole .089 x .014 (2.29 x 0.36) | .213 (5.41) |
| 521 | P.C. Tail .046 x .014 (1.17 x 0.36) | .213 (5.41) |
| 541 | Wire Wrap .046 x .014 (1.17 x 0.36) | .495(12.57) |
| 553 | 90 Degree Bend (Code 521 Contacts) | |
| 554 | 90 Degree Bend (Code 501 Contacts) | |
| 557 | 90 Degree Bend (Code 541 Contacts) | |
| <i>Dual Row Contacts - Read Both Sides of Daughter Board</i> | | |
| 500 | Wire Hole .087 x .013 (2.21 x 0.33) | .282 (7.16) |
| 520 | P.C. Tail .046 x .013 (1.17 x 0.33) | .213 (5.41) |
| 522 | P.C. Tail .046 x .013 (1.17 x 0.33) | .358 (9.09) |
| 524 | P.C. Tail .023 x .013 (0.58 x 0.33) | .213 (5.41) |
| 540 | Wire Wrap .046 x .013 (1.17 x 0.33) | .708(17.98) |
| 542 | Wire Wrap .046 x .013 (1.17 x 0.33) | .520(13.21) |
| 555 | Extender Board Bend (Code 500 Contacts) | |
| 556 | Extender Board Bend (Code 520 Contacts) | |
| 558 | 90 Degree Bend (Code 522 and 540 Contacts) | |
| 559 | 90 Degree Bend (Code 522 and 540 Contacts) | |
| 560 | Extender Board Bend (Code 522 Contacts) | |

| Contact Rows | Description |
|--------------|-------------|
| 1 | Single Row |
| 2 | Dual Row |

| Mounting Options | Description |
|------------------|--------------------------------------|
| 01 | No Mounting Lugs |
| 02 | .128 (3.25) Dia. Mounting Holes |
| 03 | .116 (2.95) I.D. Floating Eyelets |
| 04 | .156 (3.96) Dia. Mounting Holes |
| 07 | M3-0.5 Metric Threaded Inserts |
| 08 | #4-40 Unified Threaded Inserts |
| 12 | .128 (3.25) Dia. Side Mounting Holes |
| 58 | .468 (11.89) Offset Card Guides |
| 68 | .344 (8.74) Offset Card Guides |
| 78 | In-Line Card Guides |



CONNECTOR MOUNTING PATTERN



RECOMMENDED DAUGHTER BOARD

| NUMBER OF CONTACTS | "A" | | "B" | | "C" | | "D" | | "E" | |
|--------------------|--------|----------------|----------------|----------------|----------------|----------------|-----------|-----------|-----------|-----------|
| | Single | Dual | Inch (mm) | Inch (mm) | Inch (mm) | Inch (mm) | Inch (mm) | Inch (mm) | Inch (mm) | Inch (mm) |
| 6 | 12 | 1.842 (46.79) | 1.532 (38.91) | 1.246 (31.65) | 1.100 (27.94) | .780 (19.81) | | | | |
| 8 | 16 | 2.154 (54.71) | 1.844 (46.84) | 1.558 (39.57) | 1.412 (35.86) | 1.002 (27.74) | | | | |
| 10 | 20 | 2.466 (62.64) | 2.156 (54.76) | 1.870 (47.50) | 1.724 (43.79) | 1.404 (35.66) | | | | |
| 12 | 24 | 2.778 (70.56) | 2.468 (62.69) | 2.182 (55.42) | 2.036 (51.71) | 1.716 (43.59) | | | | |
| 15 | 30 | 3.246 (82.45) | 2.936 (74.57) | 2.650 (67.31) | 2.504 (63.60) | 2.184 (55.47) | | | | |
| 18 | 36 | 3.714 (94.34) | 3.404 (86.46) | 3.118 (79.20) | 2.972 (75.49) | 2.652 (67.36) | | | | |
| 20 | 40 | 4.026 (102.26) | 3.716 (94.39) | 3.430 (87.12) | 3.284 (83.41) | 2.964 (75.29) | | | | |
| 22 | 44 | 4.338 (110.19) | 4.028 (102.31) | 3.742 (95.05) | 3.596 (91.34) | 3.276 (83.21) | | | | |
| 25 | 50 | 4.806 (122.07) | 4.496 (114.20) | 4.210 (106.93) | 4.064 (103.23) | 3.744 (95.10) | | | | |
| 28 | 56 | 5.274 (133.96) | 4.964 (126.09) | 4.678 (118.82) | 4.532 (115.11) | 4.212 (106.98) | | | | |
| 30 | 60 | 5.586 (141.88) | 5.276 (134.01) | 4.990 (126.75) | 4.844 (123.04) | 4.524 (114.91) | | | | |
| 36 | 72 | 6.522 (165.66) | 6.212 (157.78) | 5.926 (150.52) | 5.780 (146.81) | 5.460 (138.68) | | | | |
| 43 | 86 | 7.614 (193.40) | 7.304 (185.52) | 7.018 (178.26) | 6.872 (174.55) | 6.552 (166.42) | | | | |
| 44 | 88 | 7.770 (197.36) | 7.460 (189.48) | 7.174 (182.22) | 7.028 (178.51) | 6.708 (170.38) | | | | |

Dimensions of Other Connector Sizes are Listed