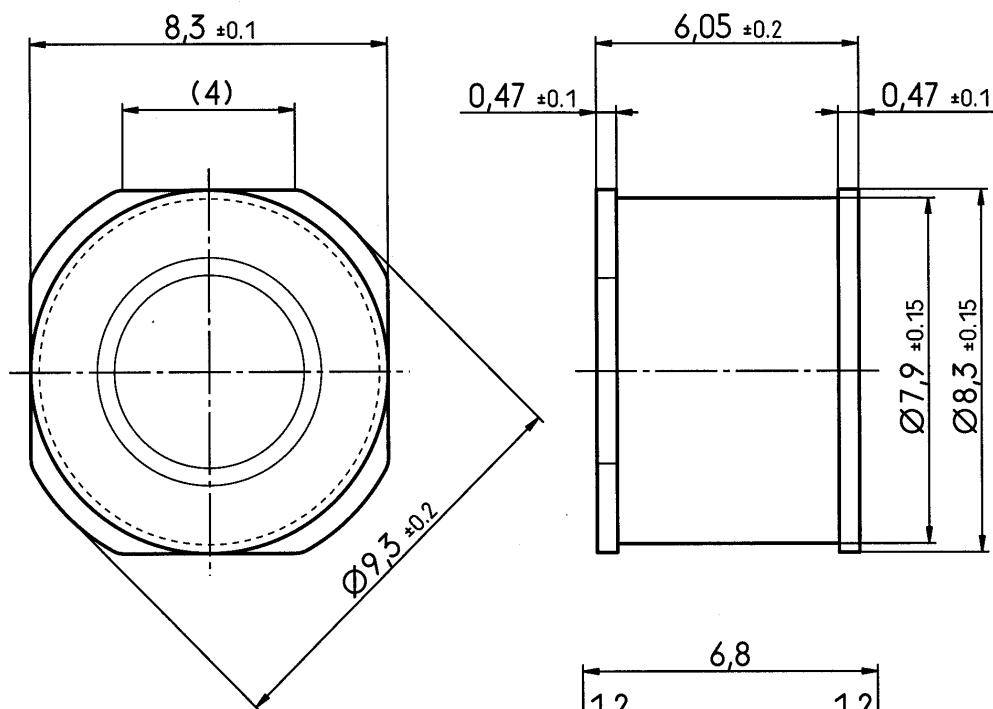


|   |  |        |
|---|--|--------|
| DC spark-over voltage <sup>1)2)</sup>   | 230<br>± 20  | V<br>% |
| Impulse spark-over voltage<br>at 100 V/μs - for 99 % of measured values<br>- typical values of distribution | < 500<br>< 450   | V<br>V |
| at 1 kV/μs - for 99 % of measured values<br>- typical values of distribution                                | < 650<br>< 550   | V<br>V |
| Nominal impulse discharge current (wave 8/20 μs)  | 20   | kA     |
| Single impulse discharge current (wave 8/20 μs)   | 25   | kA     |
| Nominal alternating discharge current (50 Hz, 1 s)  | 20   | A      |
| Alternating discharge current (50 Hz, 9 cycles)   | 100  | A      |
| Insulation resistance at 100 V <sub>dc</sub>  | > 10   | GΩ     |
| Capacitance at 1 MHz  | < 1.5  | pF     |
| Arc voltage at 1 A  | ~ 15   | V      |
| Glow to arc transition current  | ~ 0.5  | A      |
| Glow voltage  | ~ 60   | V      |
| Weight  | ~ 1.5  | g      |
| Operation and storage temperature   | -40 ... +90  | °C     |
| Climatic category (IEC 60068-1)   | 40/ 90/ 21   |        |
| Marking, blue   | <b>EPCOS 230 YY O</b><br>230 - Nominal voltage<br>YY - Year of production<br>O - Non radioactive |        |

<sup>1)</sup> At delivery AQL 0.65 level II, DIN ISO 2859

<sup>2)</sup> In ionized mode

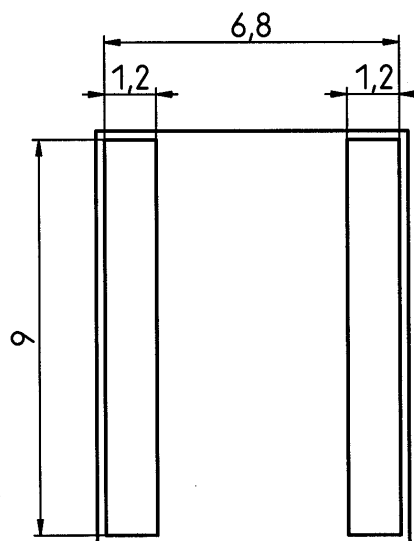
Terms in accordance with ITU-T Rec. K.12 and DIN 57845/VDE0845



Not to scale

Dimensions in mm

Non controlled document



empfohlene Lötflächen /  
recommended pad outline

© EPCOS AG 2002. Reproduction, publication and dissemination of this data sheet, enclosures hereto and the information contained therein without EPCOS' prior express consent is prohibited.

Purchase orders are subject to the General Conditions for the Supply of Products and Services of the Electrical and Electronics Industry recommended by the ZVEI (German Electrical and Electronic Manufacturers' Association), unless otherwise agreed.