

Aluminum electrolytic capacitors

Capacitors with 4-/5-pin snap-in terminals and solder pins

Series/Type: B43510, B43520

Date: November 2012

© EPCOS AG 2015. Reproduction, publication and dissemination of this publication, enclosures hereto and the information contained therein without EPCOS' prior express consent is prohibited.

EPCOS AG is a TDK Group Company.

Long-life grade capacitors

Applications

- Frequency converters
- Solar inverters
- Uninterruptible power supplies
- Professional power supplies
- Medical appliances

Features

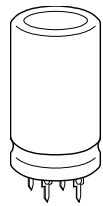
- Voltage derating ($0.90 \cdot V_R$ for $V_R \leq 450$ V) enables 105 °C operation, more details available upon request
- New diameter 50 mm available
- Extremely high volumetric efficiency
- High ripple current capability
- Many different case sizes
- Pinning ensures correct insertion
- RoHS-compatible

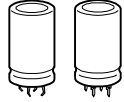
Construction

- Charge/discharge-proof, polar
- Aluminum case, fully insulated with PVC
- Version with additional PET insulation cap on terminal side available for insulating the capacitor from the PCB (B43510 only)
- Overload protection by safety vent on the case wall

Terminals

- 4-pin snap-in terminals (6.3 mm and 4.5 mm length) for diameter 35 to 45 mm
- 5-pin snap-in terminals (6.3 mm and 4.5 mm length) for diameter 50 mm
- Solder pin mounting on printed circuit boards, pins fit standardized spacings on PCB


B43510

B43520


Specifications and characteristics in brief

Rated voltage V_R	385 ... 500 V DC				
Surge voltage V_S	$1.1 \cdot V_R$				
Rated capacitance C_R	330 ... 3300 μ F				
Capacitance tolerance	$\pm 20\% \triangle M$				
Dissipation factor $\tan \delta$ (20 °C, 120 Hz)	for case diameter 35 ... 45 mm: $V_R \leq 400$ V DC: $\tan \delta \leq 0.15$ $V_R > 400$ V DC: $\tan \delta \leq 0.20$ for case diameter 50 mm: $\tan \delta \leq 0.20$				
Leakage current I_{leak} (5 min, 20 °C)	$I_{leak} \leq 0.3 \mu A \cdot \left(\frac{C_R}{\mu F} \cdot \frac{V_R}{V} \right)^{0.7} + 4 \mu A$				
Self-inductance ESL	Approx. 20 nH				
Useful life ¹⁾		Requirements:			
85 °C; V_R ; $I_{AC,R}$	> 5000 h	$\Delta C/C$	$\leq \pm 20\%$ of initial value		
40 °C; V_R ; $1.1 \cdot I_{AC,R}$	> 250000 h	$\tan \delta$	≤ 2 times initial specified limit		
		I_{leak}	\leq initial specified limit		
Voltage endurance test 85 °C; V_R	2000 h	Post test requirements:			
		$\Delta C/C$	$\leq \pm 10\%$ of initial value		
		$\tan \delta$	≤ 1.3 times initial specified limit		
		I_{leak}	\leq initial specified limit		
Vibration resistance test	To IEC 60068-2-6, test Fc: Frequency range 10 ... 55 Hz, displacement amplitude 0.35 mm, acceleration max. 5 g, duration 3 \times 2 h. Capacitor mounted by its body which is rigidly clamped to the work surface.				
Characteristics at low temperature	Max. impedance ratio at 100 Hz	V_R ; d = 35 ... 45 mm V_R ; d = 50 mm	≤ 400 V	420 ... 450 V 385 ... 450 V	500 V
		$Z_{-25\text{ °C}} / Z_{20\text{ °C}}$	4	7	7
		$Z_{-40\text{ °C}} / Z_{20\text{ °C}}$	7	14	20
IEC climatic category	To IEC 60068-1: for case diameter 35 ... 45 mm: $V_R \leq 400$ V DC: 40/085/56 (–40 °C/+85 °C/56 days damp heat test) $V_R > 400$ V DC: 25/085/56 (–25 °C/+85 °C/56 days damp heat test) for case diameter 50 mm: 25/085/56 (–25 °C/+85 °C/56 days damp heat test) The capacitors can be operated in the temperature range of –40 °C to +85 °C but the impedance at –40 °C should be taken into consideration.				
Detail specification	Similar to CECC 30301-805				
Sectional specification	IEC 60384-4				

1) Refer to chapter "General technical information, 5 Useful life" on how to interpret useful life.



B43510, B43520

Compact – 85 °C

Dimensional drawings

B43510, 4-pin snap-in terminals, PVC insulation



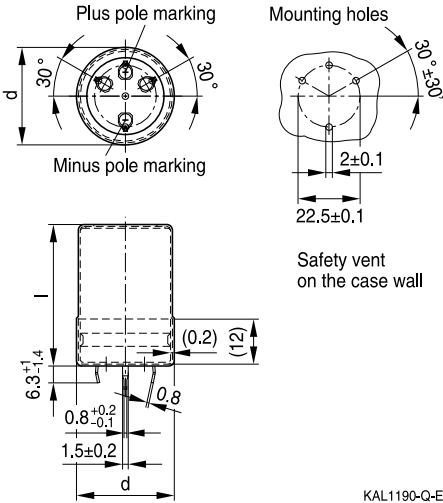
Dimensions (mm)		Approx. weight (g)	Packing units (pcs.)
d +1	l ±2		
35	50	63	60
35	60	76	36
35	70	88	36
35	80	101	36
35	100	126	36
40	40	71	33
40	50	89	33
40	60	107	33
40	70	125	33
40	80	143	33
40	90	161	33
40	100	178	33
45	40	90	28
45	50	113	28
45	60	136	28
45	70	158	28
45	80	181	28
45	90	204	28
45	100	226	28

Standard snap-in terminals:

length (6.3 ± 1) mm.

Also available with length of (4.5 – 1) mm.

All pin holes must be drilled into the PC-board, since the unconnected pins serve as mountings. These pins must be soldered to isolated pads or pads with the same potential as the negative pole.


B43510, 4-pin snap-in terminals, PVC insulation and PET insulation cap on terminal side


Dimensions (mm)		Approx. weight (g)	Packing units (pcs.)
d +1.4	l +2.2/-2		
35	50	63	60
35	60	76	36
35	70	88	36
35	80	101	36
35	100	126	36
40	40	71	33
40	50	89	33
40	60	107	33
40	70	125	33
40	80	143	33
40	90	161	33
40	100	178	33
45	40	90	28
45	50	113	28
45	60	136	28
45	70	158	28
45	80	181	28
45	90	204	28
45	100	226	28

Standard snap-in terminals: length (6.3 +1/-1.4) mm. Also available with length of (4.5 -1.4) mm. PET insulation cap is positioned under the insulation sleeve.

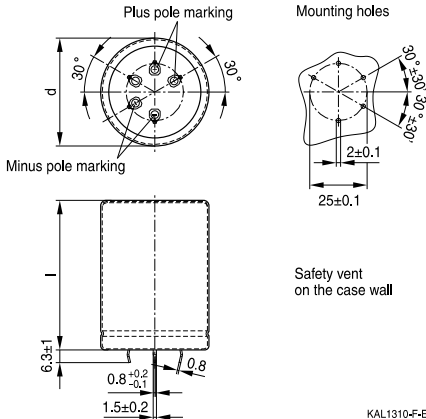
All pin holes must be drilled into the PC-board, since the unconnected pins serve as mountings. These pins must be soldered to isolated pads or pads with the same potential as the negative pole.



B43510, B43520

Compact – 85 °C

B43510, 5-pin snap-in terminals, PVC insulation



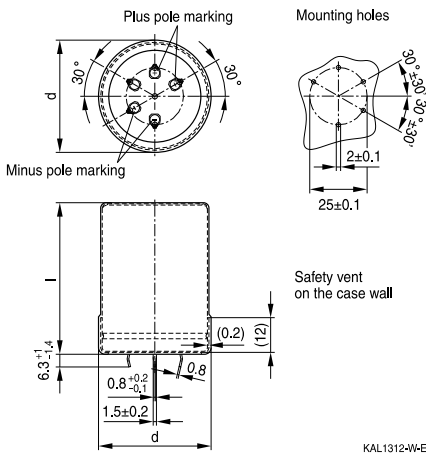
Dimensions (mm)		Approx. weight (g)	Packing units (pcs.)
d +1	l ±2		
50	40	117	28
50	50	148	28
50	60	176	28
50	70	204	28
50	80	234	28
50	90	263	28
50	100	292	28

Standard snap-in terminals:
length (6.3 ± 1) mm.

Also available with length of (4.5 – 1) mm.

All pin holes must be drilled into the PC-board, since the unconnected pin serves as mounting. This pin must be soldered to an isolated pad or a pad with the same potential as the negative pole.

B43510, 5-pin snap-in terminals, PVC insulation and PET insulation cap on terminal side

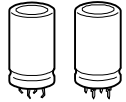
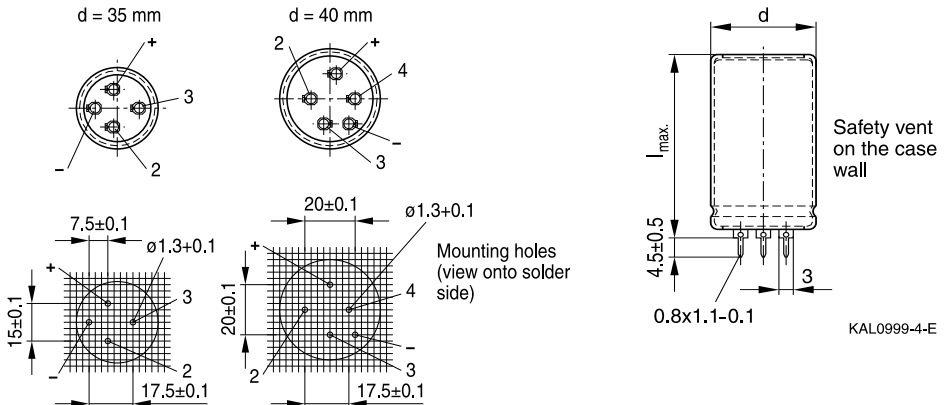


Dimensions (mm)		Approx. weight (g)	Packing units (pcs.)
d +1	l +2.2/-2		
50	40	117	28
50	50	148	28
50	60	176	28
50	70	204	28
50	80	234	28
50	90	263	28
50	100	292	28

Standard snap-in terminals:

length (6.3 +1/-1.4) mm. Also available with length of (4.5 – 1.4) mm. PET insulation cap is positioned under the insulation sleeve.

All pin holes must be drilled into the PC-board, since the unconnected pin serves as mounting. This pin must be soldered to an isolated pad or a pad with the same potential as the negative pole.

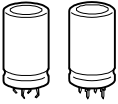

B43520, solder pins


KAL1171-J-E

Pole markings: Plus: +; Minus: –

All pin holes must be drilled into the PC-board, since the unconnected pins serve as mountings. These pins must be soldered to isolated pads or pads with the same potential as the negative pole.

Dimensions (mm)		Approx. weight (g)	Packing units (pcs.)
d +1	l_{max}		
35	54	63	60
35	64	76	36
35	74	88	36
35	84	101	36
35	104	126	36
40	44	71	33
40	54	89	33
40	64	107	33
40	74	125	33
40	84	143	33
40	94	161	33
40	104	178	33



B43510, B43520

Compact – 85 °C

Packing of 4-/5-pin snap-in terminal and solder pin capacitors



For ecological reasons the packing is pure cardboard.

Ordering codes for terminal styles and insulation features

Identification in 3rd block of ordering code

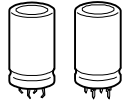
4-/5-pin snap-in terminal capacitors

Terminal version	Insulation version	
	PVC	PVC plus PET cap
Standard terminals 6.3 mm	M000	M080
Short terminals 4.5 mm	M007	M087

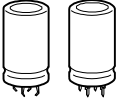
Ordering examples:

B43510C9188M007 } 4-pin snap-in capacitor with short terminals and standard PVC insulation

B43510C9188M080 } 4-pin snap-in capacitor with standard terminals and PVC insulation with additional PET insulation cap on terminal side


Overview of available types

V_R (V DC)	385	400	420	450	500
	Case dimensions $d \times l$ (mm)				
C_R (μF)					
330					35 × 50 40 × 40
390					35 × 60 40 × 50
470				35 × 50 40 × 40	35 × 70 40 × 50 45 × 40
560		35 × 50 40 × 40	35 × 50 40 × 40	35 × 60 40 × 50	35 × 70 40 × 60 45 × 50
680	35 × 50 40 × 40	35 × 60 40 × 50	35 × 60 40 × 50	35 × 70 40 × 50 45 × 40	35 × 100 40 × 70 45 × 50
820	35 × 60 40 × 50	35 × 60 40 × 50 45 × 40	35 × 70 40 × 60 45 × 40	35 × 80 40 × 60 45 × 50	35 × 100 40 × 80 45 × 60
1000	35 × 70 40 × 60 45 × 40	35 × 70 40 × 60 45 × 50 50 × 40	35 × 80 40 × 60 45 × 50	35 × 100 40 × 70 45 × 60 50 × 50	40 × 90 45 × 70
1200	35 × 80 40 × 60 45 × 50	35 × 80 40 × 70 45 × 50	35 × 100 40 × 70 45 × 60 50 × 50	35 × 100 40 × 80 45 × 60	45 × 80
1500	35 × 100 40 × 70 45 × 60 50 × 50	35 × 100 40 × 80 45 × 60	40 × 90 45 × 70 50 × 60	40 × 100 45 × 80 50 × 70	45 × 100
1800	40 × 90 45 × 70 50 × 60	40 × 90 45 × 70 50 × 60	40 × 100 45 × 80 50 × 70	45 × 90 50 × 80	
2200	40 × 100 45 × 80 50 × 70	45 × 80 50 × 70	45 × 90 50 × 80	45 × 100 50 × 90	



B43510, B43520

Compact – 85 °C

V_R (V DC)	385	400	420	450	500
	Case dimensions $d \times l$ (mm)				
C_R (μ F)					
2400				50 × 100	
2700	45 × 90 50 × 80	45 × 100 50 × 80	50 × 100		
3300	50 × 100	50 × 100			

The capacitance and voltage ratings listed above are available in different cases upon request.

Other voltage and capacitance ratings are also available upon request.

Capacitors with solder pins are only available in 35 and 40 mm case diameters.

Capacitors with 50 mm case diameter are only available with 5-pin snap-in terminals.


Technical data and ordering codes

C_R 100 Hz 20 °C μF	Case dimensions $d \times l$ mm	ESR_{typ} 100 Hz 20 °C $\text{m}\Omega$	ESR_{typ} 300 Hz 60 °C $\text{m}\Omega$	Z_{max} 10 kHz 20 °C $\text{m}\Omega$	$I_{\text{AC,max}}$ 100 Hz 60 °C A	$I_{\text{AC,R}}$ 100 Hz 85 °C A	Ordering code (composition see below)
$V_R = 385 \text{ V DC}$							
680	35 × 50	100	45	130	6.84	3.49	B435*0A3687M0##
680	40 × 40	95	36	120	6.68	3.40	B435*0C3687M0##
820	35 × 60	85	36	110	8.05	4.11	B435*0A3827M0##
820	40 × 50	75	28	100	7.92	4.04	B435*0B3827M0##
1000	35 × 70	70	30	85	9.45	4.82	B435*0A3108M0##
1000	40 × 60	65	22	75	9.35	4.77	B435*0B3108M0##
1000	45 × 40	70	30	85	8.16	4.16	B43510C3108M0##
1200	35 × 80	60	26	75	10.9	5.57	B435*0A3128M0##
1200	40 × 60	55	20	65	10.2	5.23	B435*0C3128M0##
1200	45 × 50	55	22	70	9.63	4.91	B43510D3128M0##
1500	35 × 100	45	20	60	13.4	6.84	B435*0C3158M0##
1500	40 × 70	45	17	55	12.1	6.20	B435*0D3158M0##
1500	45 × 60	45	19	55	11.4	5.86	B43510B3158M0##
1500	50 × 50	90	30	130	10.1	5.18	B43510E3158M0##
1800	40 × 90	36	14	45	14.7	7.51	B435*0C3188M0##
1800	45 × 70	40	16	50	13.3	6.80	B43510B3188M0##
1800	50 × 60	75	26	110	12.0	6.12	B43510D3188M0##
2200	40 × 100	30	12	40	17.0	8.67	B435*0A3228M0##
2200	45 × 80	32	13	40	15.5	7.91	B43510B3228M0##
2200	50 × 70	60	20	90	13.9	7.11	B43510C3228M0##
2700	45 × 90	26	12	32	18.0	9.18	B43510B3278M0##
2700	50 × 80	50	18	75	15.9	8.14	B43510C3278M0##
3300	50 × 100	40	14	60	19.5	9.96	B43510A3338M0##

Capacitors with solder pins are only available in 35 and 40 mm case diameters.

Capacitors with 50 mm case diameter are only available with 5-pin snap-in terminals.

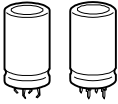
Composition of ordering code

* = Terminal type

- 1 = 4-/5-pin snap-in terminals
- 2 = solder pin

= Terminal style and insulation feature

- 00 = solder pin or 4-/5-pin snap-in standard terminals and PVC insulation
- 07 = 4-/5-pin snap-in short terminals and PVC insulation
- 80 = 4-/5-pin snap-in standard terminals and PVC insulation with additional PET insulation cap on terminal side
- 87 = 4-/5-pin snap-in short terminals and PVC insulation with additional PET insulation cap on terminal side



B43510, B43520

Compact – 85 °C

Technical data and ordering codes

C_R 100 Hz 20 °C μF	Case dimensions $d \times l$ mm	ESR_{typ} 100 Hz 20 °C m Ω	ESR_{typ} 300 Hz 60 °C m Ω	Z_{max} 10 kHz 20 °C m Ω	$I_{AC,max}$ 100 Hz 60 °C A	$I_{AC,R}$ 100 Hz 85 °C A	Ordering code (composition see below)
$V_R = 400 V DC$							
560	35 × 50	120	50	150	6.21	3.17	B435*0A9567M0##
560	40 × 40	110	40	140	6.06	3.09	B435*0B9567M0##
680	35 × 60	100	40	130	7.33	3.74	B435*0A9687M0##
680	40 × 50	95	32	110	7.21	3.68	B435*0B9687M0##
820	35 × 60	85	40	110	8.05	4.11	B435*0A9827M0##
820	40 × 50	80	28	100	7.92	4.04	B435*0B9827M0##
820	45 × 40	80	32	100	7.39	3.77	B43510C9827M0##
1000	35 × 70	70	32	90	9.45	4.82	B435*0A9108M0##
1000	40 × 60	65	24	80	9.35	4.77	B435*0B9108M0##
1000	45 × 50	65	26	80	8.79	4.48	B43510C9108M0##
1000	50 × 40	130	45	180	7.94	4.05	B43510E9108M0##
1200	35 × 80	60	26	75	10.9	5.57	B435*0D9128M0##
1200	40 × 70	55	20	65	10.8	5.54	B435*0B9128M0##
1200	45 × 50	55	24	70	9.63	4.91	B43510C9128M0##
1500	35 × 100	50	22	60	13.4	6.84	B435*0A9158M0##
1500	40 × 80	45	16	55	12.8	6.53	B435*0B9158M0##
1500	45 × 60	45	20	60	11.4	5.86	B43510D9158M0##
1800	40 × 90	36	14	45	14.7	7.51	B435*0C9188M0##
1800	45 × 70	40	16	50	13.3	6.80	B43510D9188M0##
1800	50 × 60	70	24	110	12.0	6.12	B43510E9188M0##
2200	45 × 80	32	14	40	15.5	7.91	B43510B9228M0##
2200	50 × 70	60	20	85	13.9	7.11	B43510C9228M0##
2700	45 × 100	26	11	32	18.7	9.58	B43510A9278M0##
2700	50 × 80	50	18	70	15.9	8.14	B43510B9278M0##
3300	50 × 100	40	14	60	19.5	9.96	B43510B9338M0##

Capacitors with solder pins are only available in 35 and 40 mm case diameters.

Capacitors with 50 mm case diameter are only available with 5-pin snap-in terminals.

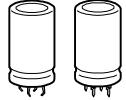
Composition of ordering code

* = Terminal type

- 1 = 4-/5-pin snap-in terminals
- 2 = solder pin

= Terminal style and insulation feature

- 00 = solder pin or 4-/5-pin snap-in standard terminals and PVC insulation
- 07 = 4-/5-pin snap-in short terminals and PVC insulation
- 80 = 4-/5-pin snap-in standard terminals and PVC insulation with additional PET insulation cap on terminal side
- 87 = 4-/5-pin snap-in short terminals and PVC insulation with additional PET insulation cap on terminal side


Technical data and ordering codes

\hat{C}_R 100 Hz 20 °C μF	Case dimensions $d \times l$ mm	ESR_{typ} 100 Hz 20 °C m Ω	ESR_{typ} 300 Hz 60 °C m Ω	Z_{max} 10 kHz 20 °C m Ω	$I_{\text{AC,max}}$ 100 Hz 60 °C A	$I_{\text{AC,R}}$ 100 Hz 85 °C A	Ordering code (composition see below)
$V_R = 420 \text{ V DC}$							
560	35 × 50	220	70	310	6.21	3.17	B435*0A0567M0##
560	40 × 40	210	60	290	6.06	3.09	B435*0B0567M0##
680	35 × 60	180	55	250	7.33	3.74	B435*0A0687M0##
680	40 × 50	170	45	240	7.21	3.68	B435*0B0687M0##
820	35 × 70	150	45	210	8.56	4.36	B435*0A0827M0##
820	40 × 60	140	40	200	8.47	4.32	B435*0B0827M0##
820	45 × 40	150	45	210	7.39	3.77	B43510C0827M0##
1000	35 × 80	120	40	180	9.98	5.09	B435*0A0108M0##
1000	40 × 60	120	34	170	9.35	4.77	B435*0B0108M0##
1000	45 × 50	120	36	170	8.79	4.48	B43510C0108M0##
1200	35 × 100	100	32	150	12.0	6.12	B435*0B0128M0##
1200	40 × 70	100	28	140	10.8	5.54	B435*0A0128M0##
1200	45 × 60	100	30	140	10.2	5.24	B43510C0128M0##
1200	50 × 50	110	36	160	9.46	4.82	B43510D0128M0##
1500	40 × 90	80	22	110	13.4	6.85	B435*0C0158M0##
1500	45 × 70	80	24	120	12.1	6.20	B43510B0158M0##
1500	50 × 60	90	28	130	11.2	5.74	B43510D0158M0##
1800	40 × 100	65	19	100	15.3	7.84	B435*0A0188M0##
1800	45 × 80	70	20	100	14.0	7.15	B43510B0188M0##
1800	50 × 70	75	24	110	13.0	6.65	B43510C0188M0##
2200	45 × 90	55	17	80	16.2	8.29	B43510A0228M0##
2200	50 × 80	60	20	90	14.9	7.64	B43510B0228M0##
2700	50 × 100	50	16	75	18.2	9.31	B43510A0278M0##

Capacitors with solder pins are only available in 35 and 40 mm case diameters.

Capacitors with 50 mm case diameter are only available with 5-pin snap-in terminals.

Composition of ordering code

* = Terminal type

- 1 = 4-/5-pin snap-in terminals
- 2 = solder pin

= Terminal style and insulation feature

- 00 = solder pin or 4-/5-pin snap-in standard terminals and PVC insulation
- 07 = 4-/5-pin snap-in short terminals and PVC insulation
- 80 = 4-/5-pin snap-in standard terminals and PVC insulation with additional PET insulation cap on terminal side
- 87 = 4-/5-pin snap-in short terminals and PVC insulation with additional PET insulation cap on terminal side


B43510, B43520
Compact – 85 °C
Technical data and ordering codes

C_R 100 Hz 20 °C μF	Case dimensions $d \times l$ mm	ESR_{typ} 100 Hz 20 °C $\text{m}\Omega$	ESR_{typ} 300 Hz 60 °C $\text{m}\Omega$	Z_{max} 10 kHz 20 °C $\text{m}\Omega$	$I_{\text{AC,max}}$ 100 Hz 60 °C A	$I_{\text{AC,R}}$ 100 Hz 85 °C A	Ordering code (composition see below)
$V_R = 450 \text{ V DC}$							
470	35 × 50	240	70	330	5.69	2.90	B435*0A5477M0##
470	40 × 40	230	65	320	5.55	2.83	B435*0B5477M0##
560	35 × 60	200	60	280	6.65	3.39	B435*0A5567M0##
560	40 × 50	200	50	270	6.55	3.34	B435*0B5567M0##
680	35 × 70	170	50	230	7.79	3.97	B435*0A5687M0##
680	40 × 50	160	45	220	7.21	3.68	B435*0B5687M0##
680	45 × 40	170	50	230	6.73	3.43	B43510C5687M0##
820	35 × 80	140	40	190	9.03	4.61	B435*0A5827M0##
820	40 × 60	130	36	190	8.47	4.32	B435*0B5827M0##
820	45 × 50	140	40	190	7.96	4.06	B43510D5827M0##
1000	35 × 100	110	34	160	10.9	5.59	B435*0A5108M0##
1000	40 × 70	110	30	150	9.92	5.06	B435*0B5108M0##
1000	45 × 60	110	32	160	9.38	4.78	B43510C5108M0##
1000	50 × 50	120	36	170	9.01	4.59	B43510D5108M0##
1200	35 × 100	100	30	140	12.0	6.12	B435*0D5128M0##
1200	40 × 80	90	26	130	11.4	5.84	B435*0A5128M0##
1200	45 × 60	95	28	130	10.2	5.24	B43510C5128M0##
1500	40 × 100	75	20	100	14.0	7.16	B435*0A5158M0##
1500	45 × 80	75	22	110	12.8	6.53	B43510B5158M0##
1500	50 × 70	80	24	110	12.4	6.33	B43510C5158M0##
1800	45 × 90	65	19	90	14.7	7.50	B43510B5188M0##
1800	50 × 80	65	20	100	14.1	7.24	B43510C5188M0##
2200	45 × 100	50	16	75	16.9	8.65	B43510A5228M0##
2200	50 × 90	55	18	80	16.1	8.25	B43510B5228M0##
2400	50 × 100	50	16	70	17.7	9.03	B43510A5248M0##

Capacitors with solder pins are only available in 35 and 40 mm case diameters.

Capacitors with 50 mm case diameter are only available with 5-pin snap-in terminals.

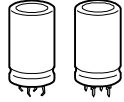
Composition of ordering code

* = Terminal type

- 1 = 4-/5-pin snap-in terminals
- 2 = solder pin

= Terminal style and insulation feature

- 00 = solder pin or 4-/5-pin snap-in standard terminals and PVC insulation
- 07 = 4-/5-pin snap-in short terminals and PVC insulation
- 80 = 4-/5-pin snap-in standard terminals and PVC insulation with additional PET insulation cap on terminal side
- 87 = 4-/5-pin snap-in short terminals and PVC insulation with additional PET insulation cap on terminal side


Technical data and ordering codes

\hat{C}_R 100 Hz 20 °C μF	Case dimensions $d \times l$ mm	ESR_{typ} 100 Hz 20 °C $\text{m}\Omega$	ESR_{typ} 300 Hz 60 °C $\text{m}\Omega$	Z_{max} 10 kHz 20 °C $\text{m}\Omega$	$I_{\text{AC,max}}$ 100 Hz 60 °C A	$I_{\text{AC,R}}$ 100 Hz 85 °C A	Ordering code (composition see below)
$V_R = 500 \text{ V DC}$							
330	35 × 50	350	90	490	3.12	1.59	B435*0A6337M0##
330	40 × 40	350	80	480	3.04	1.55	B435*0B6337M0##
390	35 × 60	300	75	410	3.63	1.85	B435*0A6397M0##
390	40 × 50	290	65	400	3.57	1.82	B435*0B6397M0##
470	35 × 70	250	60	340	4.24	2.16	B435*0A6477M0##
470	40 × 50	240	55	340	3.92	2.00	B435*0B6477M0##
470	45 × 40	250	60	340	3.66	1.87	B43510C6477M0##
560	35 × 70	210	55	290	4.63	2.36	B435*0A6567M0##
560	40 × 60	200	50	280	4.58	2.33	B435*0B6567M0##
560	45 × 50	210	50	280	4.30	2.19	B43510D6567M0##
680	35 × 100	170	40	240	5.91	3.01	B435*0A6687M0##
680	40 × 70	170	40	230	5.35	2.73	B435*0B6687M0##
680	45 × 50	170	45	240	4.74	2.42	B43510C6687M0##
820	35 × 100	140	38	200	6.49	3.31	B435*0A6827M0##
820	40 × 80	140	34	200	6.20	3.16	B435*0B6827M0##
820	45 × 60	140	36	200	5.56	2.83	B43510C6827M0##
1000	40 × 90	120	28	160	7.18	3.66	B435*0C6108M0##
1000	45 × 70	120	30	160	6.50	3.31	B43510B6108M0##
1200	45 × 80	100	24	140	7.50	3.82	B43510C6128M0##
1500	45 × 100	80	20	110	9.16	4.67	B43510A6158M0##

Capacitors with solder pins are only available in 35 and 40 mm case diameters.

Capacitors with 50 mm case diameter are only available with 5-pin snap-in terminals.

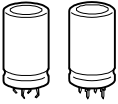
Composition of ordering code

* = Terminal type

- 1 = 4-/5-pin snap-in terminals
- 2 = solder pin

= Terminal style and insulation feature

- 00 = solder pin or 4-/5-pin snap-in standard terminals and PVC insulation
- 07 = 4-/5-pin snap-in short terminals and PVC insulation
- 80 = 4-/5-pin snap-in standard terminals and PVC insulation with additional PET insulation cap on terminal side
- 87 = 4-/5-pin snap-in short terminals and PVC insulation with additional PET insulation cap on terminal side

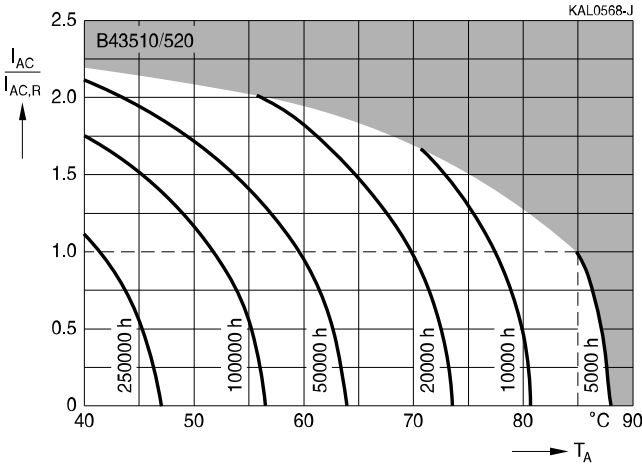


B43510, B43520

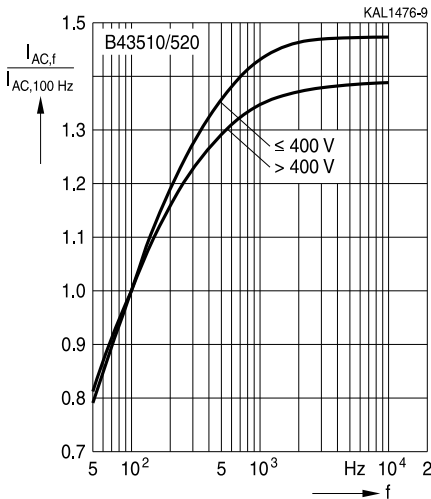
Compact – 85 °C

Useful life¹⁾

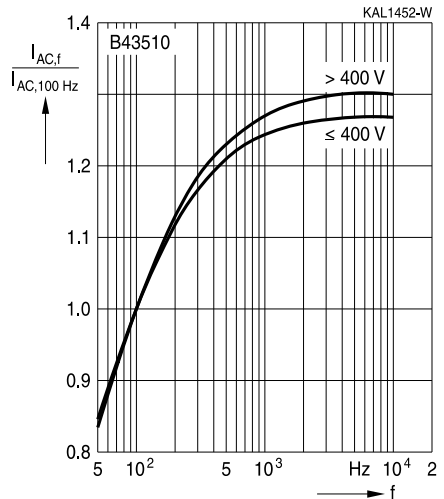
depending on ambient temperature T_A under ripple current operating conditions
 Voltage derating ($0.90 \cdot V_R$ for $V_R \leq 450$ V) enables 105 °C operation



Frequency factor of permissible ripple current I_{AC} versus frequency f for diameter $d \leq 45$ mm



Frequency factor of permissible ripple current I_{AC} versus frequency f for diameter $d = 50$ mm

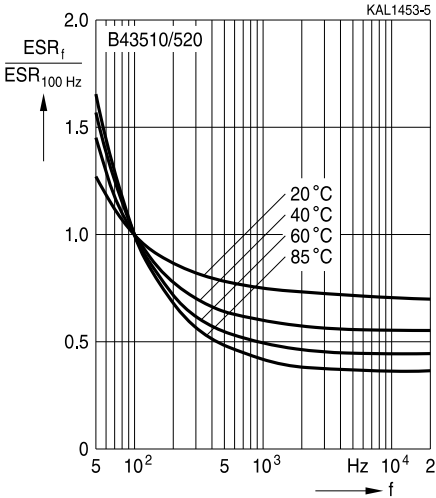


1) Refer to chapter "General technical information, 5 Useful life" on how to interpret useful life.



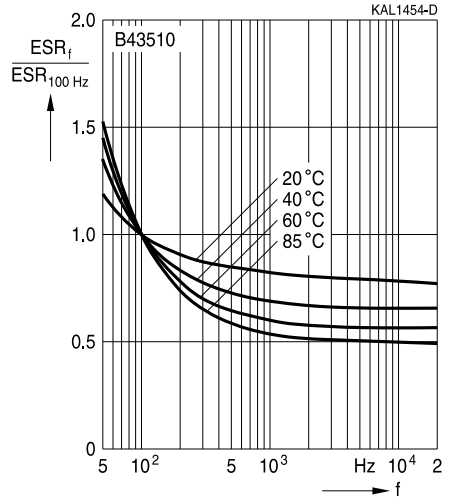
Frequency characteristic of ESR

Typical behavior
for diameter $d \leq 45$ mm



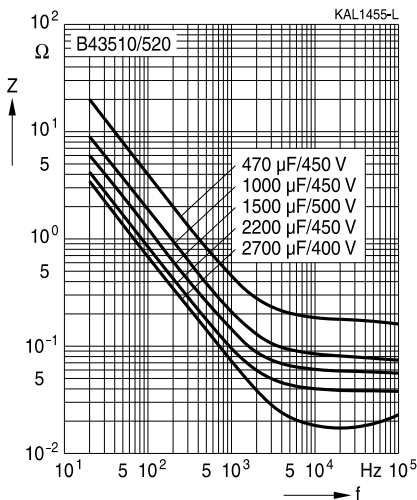
Frequency characteristic of ESR

Typical behavior
for diameter $d = 50$ mm



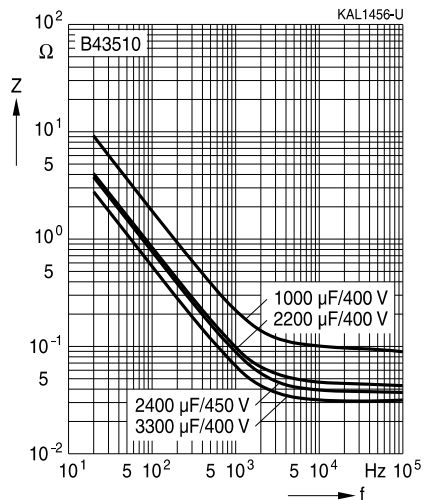
Impedance Z versus frequency f

Typical behavior at 20 °C
for diameter $d \leq 45$ mm



Impedance Z versus frequency f

Typical behavior at 20 °C
for diameter $d = 50$ mm





B43510, B43520

Compact – 85 °C

Cautions and warnings

Personal safety

The electrolytes used by EPCOS have been optimized both with a view to the intended application and with regard to health and environmental compatibility. They do not contain any solvents that are detrimental to health, e.g. dimethyl formamide (DMF) or dimethyl acetamide (DMAC).

Furthermore, some of the high-voltage electrolytes used by EPCOS are self-extinguishing.

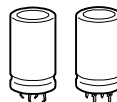
As far as possible, EPCOS does not use any dangerous chemicals or compounds to produce operating electrolytes. However, in exceptional cases, such materials must be used in order to achieve specific physical and electrical properties because no alternative materials are currently known. However, the amount of dangerous materials used in our products is limited to an absolute minimum.

Materials and chemicals used in EPCOS aluminum electrolytic capacitors are continuously adapted in compliance with the EPCOS Corporate Environmental Policy and the latest EU regulations and guidelines such as RoHS, REACH/SVHC, GADSL, and ELV.

MDS (Material Data Sheets) are available on the EPCOS website for all types listed in the data book. MDS for customer specific capacitors are available upon request.

MSDS (Material Safety Data Sheets) are available for all of our electrolytes upon request.

Nevertheless, the following rules should be observed when handling aluminum electrolytic capacitors: No electrolyte should come into contact with eyes or skin. If electrolyte does come into contact with the skin, wash the affected areas immediately with running water. If the eyes are affected, rinse them for 10 minutes with plenty of water. If symptoms persist, seek medical treatment. Avoid inhaling electrolyte vapor or mists. Workplaces and other affected areas should be well ventilated. Clothing that has been contaminated by electrolyte must be changed and rinsed in water.



Product safety

The table below summarizes the safety instructions that must be observed without fail. A detailed description can be found in the relevant sections of chapter "General technical information".

Topic	Safety information	Reference chapter "General technical information"
Polarity	Make sure that polar capacitors are connected with the right polarity.	1 "Basic construction of aluminum electrolytic capacitors"
Reverse voltage	Voltages polarity classes should be prevented by connecting a diode.	3.1.6 "Reverse voltage"
Mounting position of screw-terminal capacitors	Do not mount the capacitor with the terminals (safety vent) upside down.	11.1. "Mounting positions of capacitors with screw terminals"
Robustness of terminals	The following maximum tightening torques must not be exceeded when connecting screw terminals: M5: 2.5 Nm M6: 4.0 Nm	11.3 "Mounting torques"
Mounting of single-ended capacitors	The internal structure of single-ended capacitors might be damaged if excessive force is applied to the lead wires. Avoid any compressive, tensile or flexural stress. Do not move the capacitor after soldering to PC board. Do not pick up the PC board by the soldered capacitor. Do not insert the capacitor on the PC board with a hole space different to the lead space specified.	11.4 "Mounting considerations for single-ended capacitors"
Soldering	Do not exceed the specified time or temperature limits during soldering.	11.5 "Soldering"
Soldering, cleaning agents	Do not allow halogenated hydrocarbons to come into contact with aluminum electrolytic capacitors.	11.6 "Cleaning agents"
Upper category temperature	Do not exceed the upper category temperature.	7.2 "Maximum permissible operating temperature"
Passive flammability	Avoid external energy, such as fire or electricity.	8.1 "Passive flammability"



B43510, B43520

Compact – 85 °C

Topic	Safety information	Reference chapter "General technical information"
Active flammability	Avoid overload of the capacitors.	8.2 "Active flammability"
Maintenance	<p>Make periodic inspections of the capacitors. Before the inspection, make sure that the power supply is turned off and carefully discharge the electricity of the capacitors.</p> <p>Do not apply any mechanical stress to the capacitor terminals.</p>	10 "Maintenance"
Storage	Do not store capacitors at high temperatures or high humidity. Capacitors should be stored at +5 to +35 °C and a relative humidity of $\leq 75\%$.	7.3 Storage conditions
		Reference chapter "Capacitors with screw terminals"
Breakdown strength of insulating sleeves	Do not damage the insulating sleeve, especially when ring clips are used for mounting.	"Screw terminals – accessories"


Symbols and terms

Symbol	English	German
C	Capacitance	Kapazität
C_R	Rated capacitance	Nennkapazität
C_S	Series capacitance	Serienkapazität
$C_{S,T}$	Series capacitance at temperature T	Serienkapazität bei Temperatur T
C_f	Capacitance at frequency f	Kapazität bei Frequenz f
d	Case diameter, nominal dimension	Gehäusedurchmesser, Nennmaß
d_{max}	Maximum case diameter	Maximaler Gehäusedurchmesser
ESL	Self-inductance	Eigeninduktivität
ESR	Equivalent series resistance	Ersatzserienwiderstand
ESR_f	Equivalent series resistance at frequency f	Ersatzserienwiderstand bei Frequenz f
ESR_T	Equivalent series resistance at temperature T	Ersatzserienwiderstand bei Temperatur T
f	Frequency	Frequenz
I	Current	Strom
I_{AC}	Alternating current (ripple current)	Wechselstrom
$I_{AC,rms}$	Root-mean-square value of alternating current	Wechselstrom, Effektivwert
$I_{AC,f}$	Ripple current at frequency f	Wechselstrom bei Frequenz f
$I_{AC,max}$	Maximum permissible ripple current	Maximal zulässiger Wechselstrom
$I_{AC,R}$	Rated ripple current	Nennwechselstrom
$I_{AC,R} (B)$	Rated ripple current for base cooling	Nennwechselstromstrom für Bodenkühlung
I_{leak}	Leakage current	Reststrom
$I_{leak,op}$	Operating leakage current	Betriebsreststrom
l	Case length, nominal dimension	Gehäuselänge, Nennmaß
l_{max}	Maximum case length (without terminals and mounting stud)	Maximale Gehäuselänge (ohne Anschlüsse und Gewindebolzen)
R	Resistance	Widerstand
R_{ins}	Insulation resistance	Isolationswiderstand
R_{symm}	Balancing resistance	Symmetrierwiderstand
T	Temperature	Temperatur
ΔT	Temperature difference	Temperaturdifferenz
T_A	Ambient temperature	Umgebungstemperatur
T_C	Case temperature	Gehäusetemperatur
T_B	Capacitor base temperature	Temperatur des Becherbodens
t	Time	Zeit
Δt	Period	Zeitraum
t_b	Service life (operating hours)	Brauchbarkeitsdauer (Betriebszeit)



B43510, B43520

Compact – 85 °C

Symbol	English	German
V	Voltage	Spannung
V _F	Forming voltage	Formierspannung
V _{op}	Operating voltage	Betriebsspannung
V _R	Rated voltage, DC voltage	Nennspannung, Gleichspannung
V _S	Surge voltage	Spitzenspannung
X _C	Capacitive reactance	Kapazitiver Blindwiderstand
X _L	Inductive reactance	Induktiver Blindwiderstand
Z	Impedance	Scheinwiderstand
Z _T	Impedance at temperature T	Scheinwiderstand bei Temperatur T
tan δ	Dissipation factor	Verlustfaktor
λ	Failure rate	Ausfallrate
ε ₀	Absolute permittivity	Elektrische Feldkonstante
ε _r	Relative permittivity	Dielektrizitätszahl
ω	Angular velocity; $2 \cdot \pi \cdot f$	Kreisfrequenz; $2 \cdot \pi \cdot f$

Note

All dimensions are given in mm.

Important notes

The following applies to all products named in this publication:

1. Some parts of this publication contain **statements about the suitability of our products for certain areas of application**. These statements are based on our knowledge of typical requirements that are often placed on our products in the areas of application concerned. We nevertheless expressly point out **that such statements cannot be regarded as binding statements about the suitability of our products for a particular customer application**. As a rule, EPCOS is either unfamiliar with individual customer applications or less familiar with them than the customers themselves. For these reasons, it is always ultimately incumbent on the customer to check and decide whether an EPCOS product with the properties described in the product specification is suitable for use in a particular customer application.
2. We also point out that **in individual cases, a malfunction of electronic components or failure before the end of their usual service life cannot be completely ruled out in the current state of the art, even if they are operated as specified**. In customer applications requiring a very high level of operational safety and especially in customer applications in which the malfunction or failure of an electronic component could endanger human life or health (e.g. in accident prevention or lifesaving systems), it must therefore be ensured by means of suitable design of the customer application or other action taken by the customer (e.g. installation of protective circuitry or redundancy) that no injury or damage is sustained by third parties in the event of malfunction or failure of an electronic component.
3. **The warnings, cautions and product-specific notes must be observed.**
4. In order to satisfy certain technical requirements, **some of the products described in this publication may contain substances subject to restrictions in certain jurisdictions (e.g. because they are classed as hazardous)**. Useful information on this will be found in our Material Data Sheets on the Internet (www.epcos.com/material). Should you have any more detailed questions, please contact our sales offices.
5. We constantly strive to improve our products. Consequently, **the products described in this publication may change from time to time**. The same is true of the corresponding product specifications. Please check therefore to what extent product descriptions and specifications contained in this publication are still applicable before or when you place an order. We also **reserve the right to discontinue production and delivery of products**. Consequently, we cannot guarantee that all products named in this publication will always be available. The aforementioned does not apply in the case of individual agreements deviating from the foregoing for customer-specific products.
6. Unless otherwise agreed in individual contracts, **all orders are subject to the current version of the "General Terms of Delivery for Products and Services in the Electrical Industry" published by the German Electrical and Electronics Industry Association (ZVEI)**.
7. The trade names EPCOS, BAOKE, Alu-X, CeraDiode, CeraLink, CSMP, CSSP, CTVS, DeltaCap, DigiSiMic, DSSP, FilterCap, FormFit, MiniBlue, MiniCell, MKD, MKK, MLSC, MotorCap, PCC, PhaseCap, PhaseCube, PhaseMod, PhiCap, SIFERRIT, SIFI, SIKOREL, SilverCap, SIMDAD, SiMic, SIMID, SineFormer, SIOV, SIP5D, SIP5K, ThermoFuse, WindCap are **trademarks registered or pending** in Europe and in other countries. Further information will be found on the Internet at www.epcos.com/trademarks.