

Square Body – Flush End Contact

690V/700V (IEC/U.L.) 40-2000A



| Electrical Characteristics | | | | | Ordering Information | | | | Curves | | |
|----------------------------|------------------------|-------------------------------------|------------------|-------------------------|-----------------------|-----------------------------------|-----------------------|-----------------------------------|-------------|--------------------|----------|
| Size | Rated Current RMS-Amps | I ² t (A ² S) | | Losses at Rated Current | -B/- Visual Indicator | -BKN/- Type K Indicator for Micro | -G/- Visual Indicator | -GKN/- Type K Indicator for Micro | Carton Qty. | Carton Weight (kg) | BIF # |
| | | Pre-arc | Clearing at 660V | | | | | | | | |
| 1* | 40 | 40 | 270 | 9 | 170M3408 | 170M3458 | 170M3508 | 170M3558 | 10 (-B/-) | 2.40 | 17056314 |
| | 50 | 77 | 515 | 11 | 170M3409 | 170M3459 | 170M3509 | 170M3559 | | | |
| | 63 | 115 | 770 | 14 | 170M3410 | 170M3460 | 170M3510 | 170M3560 | | | |
| | 80 | 185 | 1250 | 18 | 170M3411 | 170M3461 | 170M3511 | 170M3561 | | | |
| | 100 | 360 | 2450 | 21 | 170M3412 | 170M3462 | 170M3512 | 170M3562 | 10 (-G/-) | 2.40 | |
| | 125 | 550 | 3700 | 26 | 170M3413 | 170M3463 | 170M3513 | 170M3563 | | | |
| | 160 | 1100 | 7500 | 30 | 170M3414 | 170M3464 | 170M3514 | 170M3564 | | | |
| | 200 | 2200 | 15000 | 35 | 170M3415 | 170M3465 | 170M3515 | 170M3565 | | | |
| | 250 | 4200 | 28500 | 40 | 170M3416 | 170M3466 | 170M3516 | 170M3566 | 6 (-BKN/-) | 1.62 | |
| | 315 | 7000 | 46500 | 50 | 170M3417 | 170M3467 | 170M3517 | 170M3567 | | | |
| | 350 | 10000 | 68500 | 55 | 170M3418 | 170M3468 | 170M3518 | 170M3568 | | | |
| | 400 | 15000 | 105000 | 60 | 170M3419 | 170M3469 | 170M3519 | 170M3569 | | | |
| | 450 | 21000 | 140000 | 65 | 170M3420 | 170M3470 | 170M3520 | 170M3570 | 6 (-GKN/-) | 1.62 | |
| | 500 | 27000 | 180000 | 70 | 170M3421 | 170M3471 | 170M3521 | 170M3571 | | | |
| 550 | 34000 | 230000 | 75 | 170M3422 | 170M3472 | 170M3522 | 170M3572 | | | | |
| 630 | 48500 | 325000 | 80 | 170M3423 | 170M3473 | 170M3523 | 170M3573 | | | | |
| 1 | 200 | 1650 | 11500 | 45 | 170M4408 | 170M4458 | 170M4508 | 170M4558 | 6 | 2.40 | 17056316 |
| | 250 | 3100 | 21000 | 55 | 170M4409 | 170M4459 | 170M4509 | 170M4559 | | | |
| | 315 | 6200 | 42000 | 58 | 170M4410 | 170M4460 | 170M4510 | 170M4560 | | | |
| | 350 | 8500 | 59000 | 60 | 170M4411 | 170M4461 | 170M4511 | 170M4561 | | | |
| | 400 | 13500 | 91500 | 65 | 170M4412 | 170M4462 | 170M4512 | 170M4562 | | | |
| | 450 | 17000 | 120000 | 70 | 170M4413 | 170M4463 | 170M4513 | 170M4563 | | | |
| | 500 | 25000 | 170000 | 72 | 170M4414 | 170M4464 | 170M4514 | 170M4564 | | | |
| | 550 | 34000 | 230000 | 75 | 170M4415 | 170M4465 | 170M4515 | 170M4565 | | | |
| | 630 | 52000 | 350000 | 80 | 170M4416 | 170M4466 | 170M4516 | 170M4566 | | | |
| | 700 | 69500 | 465000 | 85 | 170M4417 | 170M4467 | 170M4517 | 170M4567 | | | |
| | 800 | 105000 | 725000 | 95 | 170M4418 | 170M4468 | 170M4518 | 170M4568 | | | |
| ‡900 | 155000 | ‡850000 | 100 | 170M4419 | 170M4469 | 170M4519 | 170M4569 | | | | |
| 2 | 400 | 11000 | 74000 | 65 | 170M5408 | 170M5458 | 170M5508 | 170M5558 | 6 | 3.30 | 17056318 |
| | 450 | 15500 | 105000 | 70 | 170M5409 | 170M5459 | 170M5509 | 170M5559 | | | |
| | 500 | 21500 | 145000 | 75 | 170M5410 | 170M5460 | 170M5510 | 170M5560 | | | |
| | 550 | 28000 | 190000 | 80 | 170M5411 | 170M5461 | 170M5511 | 170M5561 | | | |
| | 630 | 41000 | 275000 | 90 | 170M5412 | 170M5462 | 170M5512 | 170M5562 | | | |
| | 700 | 60500 | 405000 | 95 | 170M5413 | 170M5463 | 170M5513 | 170M5563 | | | |
| | 800 | 86000 | 575000 | 105 | 170M5414 | 170M5464 | 170M5514 | 170M5564 | | | |
| | 900 | 125000 | 840000 | 110 | 170M5415 | 170M5465 | 170M5515 | 170M5565 | | | |
| | 1000 | 180000 | 1250000 | 115 | 170M5416 | 170M5466 | 170M5516 | 170M5566 | | | |
| | 1100 | 245000 | 1600000 | 120 | 170M5417 | 170M5467 | 170M5517 | 170M5567 | | | |
| 1250 | 365000 | 2400000 | 130 | 170M5418 | 170M5468 | 170M5518 | 170M5568 | | | | |
| 3 | 500 | 14000 | 95000 | 95 | 170M6408 | 170M6458 | 170M6508 | 170M6558 | 3 | 2.52 | 17056320 |
| | 550 | 19500 | 135000 | 100 | 170M6409 | 170M6459 | 170M6509 | 170M6559 | | | |
| | 630 | 31000 | 210000 | 105 | 170M6410 | 170M6460 | 170M6510 | 170M6560 | | | |
| | 700 | 44500 | 300000 | 110 | 170M6411 | 170M6461 | 170M6511 | 170M6561 | | | |
| | 800 | 69500 | 465000 | 115 | 170M6412 | 170M6462 | 170M6512 | 170M6562 | | | |
| | 900 | 100000 | 670000 | 120 | 170M6413 | 170M6463 | 170M6513 | 170M6563 | | | |
| | 1000 | 140000 | 945000 | 125 | 170M6414 | 170M6464 | 170M6514 | 170M6564 | | | |
| | 1100 | 190000 | 1300000 | 130 | 170M6415 | 170M6465 | 170M6515 | 170M6565 | | | |
| | 1250 | 290000 | 1950000 | 140 | 170M6416 | 170M6466 | 170M6516 | 170M6566 | | | |
| | 1400 | 370000 | 2450000 | 155 | 170M6417 | 170M6467 | 170M6517 | 170M6567 | | | |
| | 1500 | 460000 | 3100000 | 160 | 170M6418 | 170M6468 | 170M6518 | 170M6568 | | | |
| | 1600 | 580000 | 3900000 | 160 | 170M6419 | 170M6469 | 170M6519 | 170M6569 | | | |
| | ‡1800 | 880000 | ‡5250000 | 165 | 170M6420 | 170M6470 | 170M6520 | 170M6570 | | | |
| ‡2000 | 1150000 | ‡6350000 | 175 | 170M6421 | 170M6471 | 170M6521 | 170M6571 | | | | |

- Interrupting rating 200kA (Estimated 300kA) RMS Symmetrical.
- Watts loss provided at rated current.
- Rated voltage (IEC) †600V †550V (Consult Bussmann for U.L. Recognition / CSA Component Acceptance Status.)
- Microswitch indicator ordered separately.

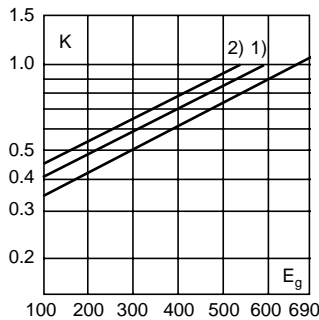
1 kg = 2.2 lbs. 1 lb = 0.45 kg



Electrical Characteristics

Total Clearing I²t

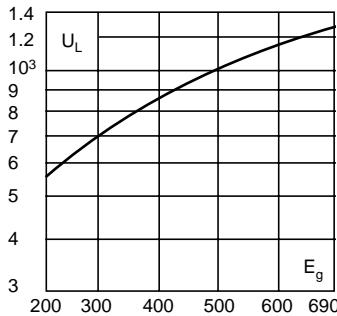
The total clearing I²t at rated voltage and at power factor of 15% are given in the electrical characteristics. For other voltages, the clearing I²t is found by multiplying by correction factor, K, given as a function of applied working voltage, E_g, (RMS).



1) Rated voltage 600V
2) Rated voltage 550V

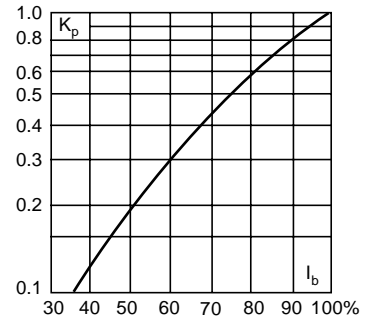
Arc Voltage

This curve gives the peak arc voltage, U_L, which may appear across the fuse during its operation as a function of the applied working voltage, E_g, (RMS) at a power factor of 15%.



Power Losses

Watts loss at rated current is given in the electrical characteristics. The curve allows the calculation of the power losses at load currents lower than the rated current. The correction factor, K_p, is given as a function of the RMS load current, I_b, in % of the rated current.



Dimensions

Flush End Contact: Type -B/-, -BKN/-, -G/-, -GKN/-

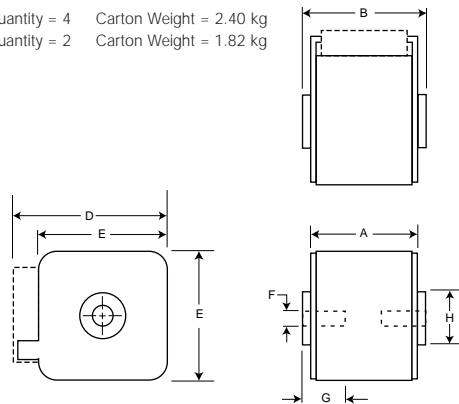
| Size | A | B | D | E | F | F ⁵ | G | H |
|------|----|----|----|----|-----|-------------------|----|-----|
| 1* | 50 | 51 | 59 | 45 | M8 | 5/16" - 18 UNC-2B | 5 | ø17 |
| 1 | 50 | 51 | 69 | 53 | M8 | 5/16" - 18 UNC-2B | 8 | ø20 |
| 2 | 50 | 51 | 77 | 61 | M10 | 3/8" - 16 UNC-2B | 10 | ø24 |
| 3 | 51 | 53 | 92 | 76 | M12 | 1/2" - 13 UNC-2B | 10 | ø30 |

⁵Valid for fuses type -G/- & -GKN/-
NB: B = 65 for Size 2, 1100-1250A
Size 3, 1600-2000A

Carton Quantity = 4 Carton Weight = 2.40 kg
Carton Quantity = 2 Carton Weight = 1.82 kg

Dimension in mm.

1mm = 0.0394" 1" = 25.4mm



The only controlled copy of this BIF document is the electronic read-only version located on the Bussmann Network Drive. All other copies of this document are by definition uncontrolled. This bulletin is intended to clearly present comprehensive product data and provide technical information that will help the end user with design applications. Bussmann reserves the right, without notice, to change design or construction of any products and to discontinue or limit distribution of any products. Bussmann also reserves the right to change or update, without notice, any technical information contained in this bulletin. Once a product has been selected, it should be tested by the user in all possible applications.