

# Class J Fuseblocks

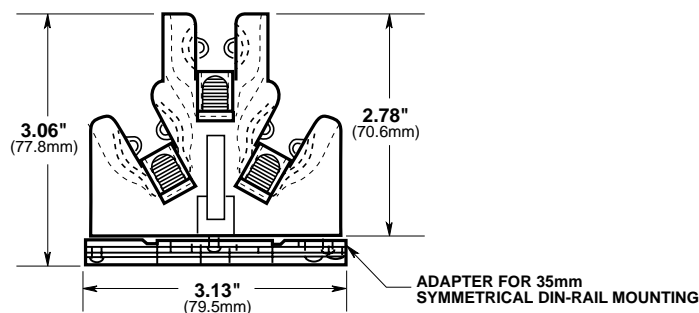
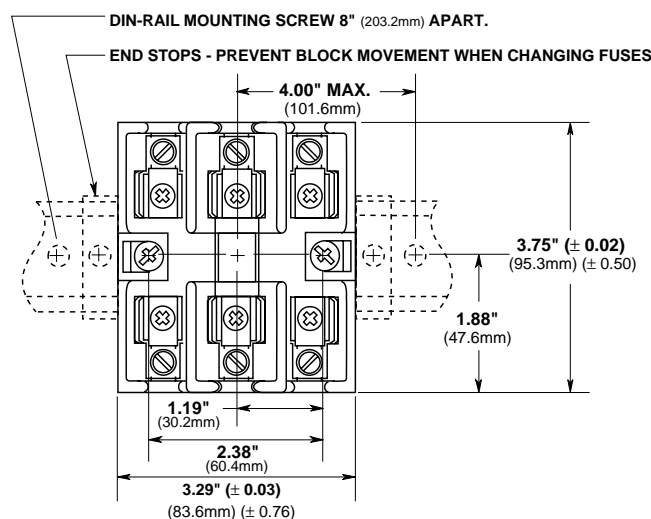
# JP Series

## Pyramid Style 600 Volt, 30 Amps



### Dimensional Data

\*All other dimensions ( $\pm 0.015"$ )  
( $\pm 0.40\text{mm}$ )



**Catalog Symbol:** JP Series

Pyramid Style Fuseblock

**Ampere Rating:** 30 Amperes

**Voltage Rating:** 600 Volts

**Withstand Rating:** 200,000 RMS Sym. Amps

**Agency Information:**

U.L. Listed, U.L. 512, Guide IZLT, File E14853

CSA Certified, C22.2 No. 39, Class 4225-04, File 47235

For use with Class J Fuses (Bussmann LPJ, JKS)

**U.L. Flammability:** 94VO

**Material:** Thermoplastic

**Pyramid® J Fuseblock; 30A, 600V; 3-Pole; Panel or 35mm  
DIN-Rail Mount; Clips with Reinforcing Springs**

Mounting	Catalog Numbers		
	Screws with Pressure Plate	Aluminum	Copper Only
Panel	JP60030-3PR (#10-14 CU ONLY)	JP60030-3CR (#2-14 CU/AL)	JP60030-3COR (#2-14 CU ONLY)
With DIN-Rail Adapter*	JP60030-3PRA (#10-14 CU ONLY)	JP60030-3CRA (#2-14 CU/AL)	JP60030-CORA (#2-14 CU ONLY)

\*Adapter Only for DIN-Rail - Cat No. JPA-3.

CE CE logo denotes compliance with European Union Low Voltage Directive (50-1000 Vac, 75-1500 Vdc). Refer to BIF document #8002 or contact Bussmann Application Engineering at 314-527-1270 for more information.

The only controlled copy of this BIF document is the electronic read-only version located on the Bussmann Network Drive. All other copies of this document are by definition uncontrolled. This bulletin is intended to clearly present comprehensive product data and provide technical information that will help the end user with design applications. Bussmann reserves the right, without notice, to change design or construction of any products and to discontinue or limit distribution of any products. Bussmann also reserves the right to change or update, without notice, any technical information contained in this bulletin. Once a product has been selected, it should be tested by the user in all possible applications.