

## Series NDN Rail Mount Terminal Blocks

35mm DIN Rail Compatible

### SPECIFICATIONS

**High Density Design:** Up to 48 circuits per foot

**Clamping Collar:** Secures wires

**Large, Captive, Wire-Ready Screws:** Speeds assembly

**Snap-on Installation to DIN Rail:** Fast, easy assembly

**Fully Shielded Construction:** 600V spacings

**Unique One-Piece Construction:** Increases reliability

**Thermoplastic Moldings:** Strong and impact resistant

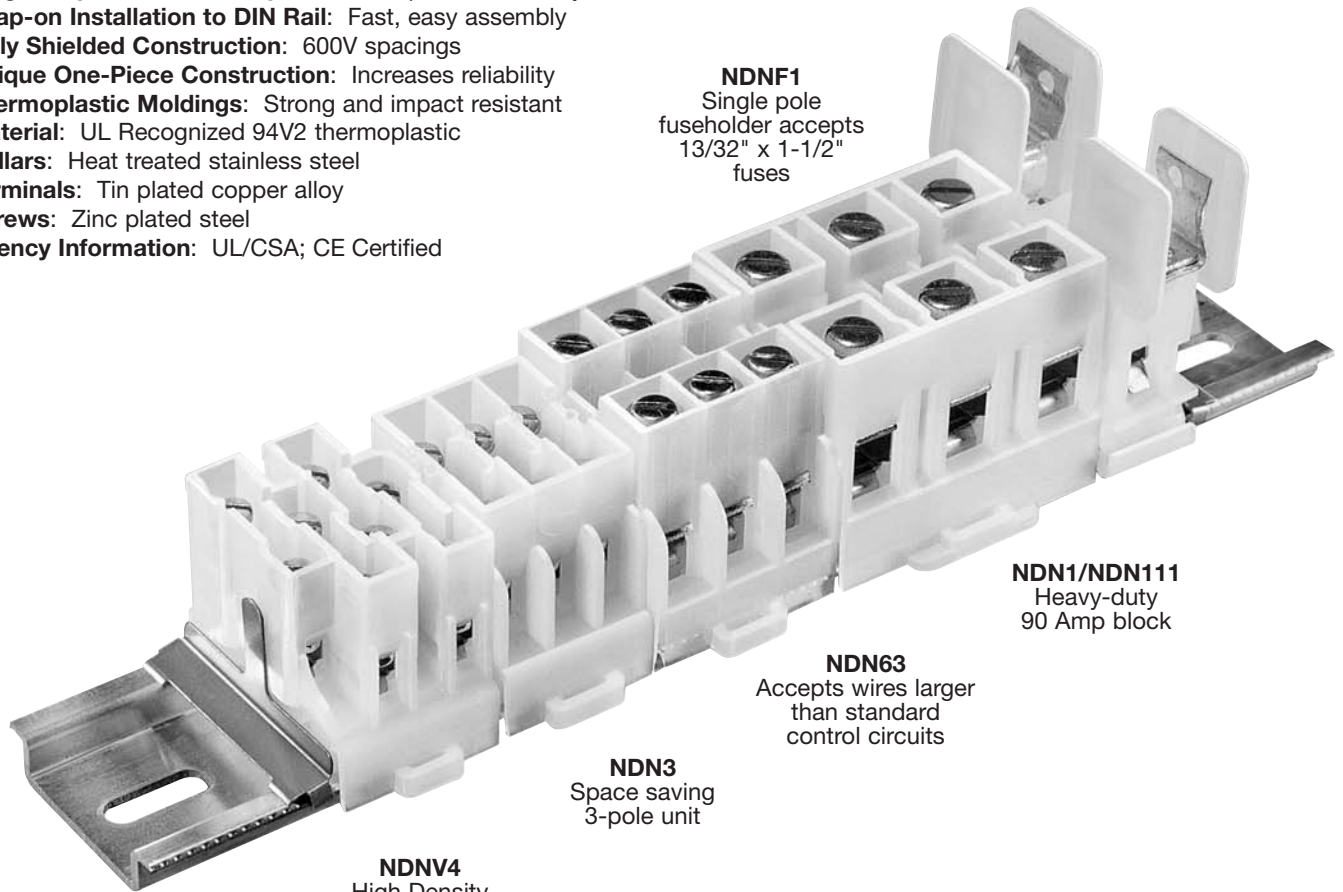
**Material:** UL Recognized 94V2 thermoplastic

**Collars:** Heat treated stainless steel

**Terminals:** Tin plated copper alloy

**Screws:** Zinc plated steel

**Agency Information:** UL/CSA; CE Certified



**NDNF1**  
Single pole  
fuseholder accepts  
13/32" x 1-1/2"  
fuses

**NDN1/NDN111**  
Heavy-duty  
90 Amp block

**NDN63**  
Accepts wires larger  
than standard  
control circuits

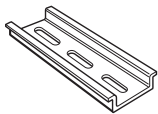
**NDN3**  
Space saving  
3-pole unit

**NDNV4**  
High Density  
48 circuits per foot

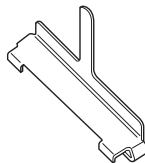
**NDNA200**  
Universal aluminum  
35mm DIN mounting rail

## Series NDN Terminal Block Accessories

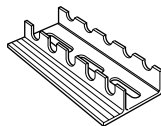
Inches (Millimeters)



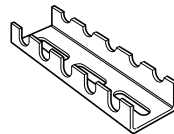
**NDNA**  
35mm DIN Rail  
Aluminum  
**NDNA 100** 1 meter  
**NDNA 200** 2 meters



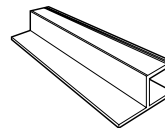
**NDNAS**  
35mm DIN Rail  
End Stop



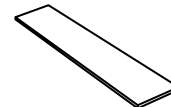
**NFTA**  
C-Rail  
Aluminum  
Lengths to 72"



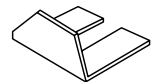
**NRA**  
C-Rail  
Low Profile  
No Flange  
Aluminum  
Lengths to 37-1/2"



**SOA72**  
72" Long  
Stand-Off Channel  
For C-Rail



**MASKING TAPE**  
See Series  
Specifications



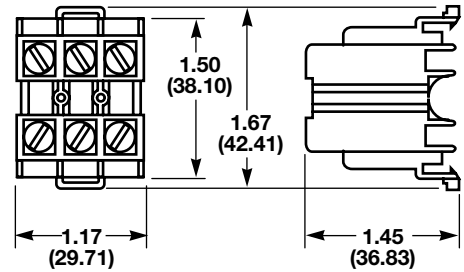
**JUMPERS**  
See Series  
Specifications

## Rail Mount Terminal Blocks

### NDN63

#### SPECIFICATIONS:

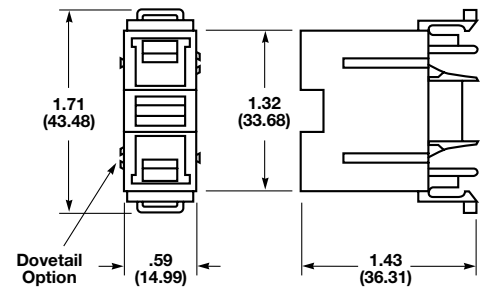
**Rating:** 65A, 600V; UL/CSA  
**Center Spacing:** .375" (9.52 mm)  
**Number Of Poles:** 3  
**Circuits Per Foot:** 30  
**Circuit Jumper:** JN3, 2 circuits  
**Wire Range:** AWG #6-18 CU  
**Screw Size:** #10-32  
**Mounting Options:** 35mm DIN rail, C-rail  
**Marking Tape:** MT12-1/2  
**Torque Rating:** 35 in-lb  
**Operating Temperature:** 105°C



### NDN1

#### SPECIFICATIONS:

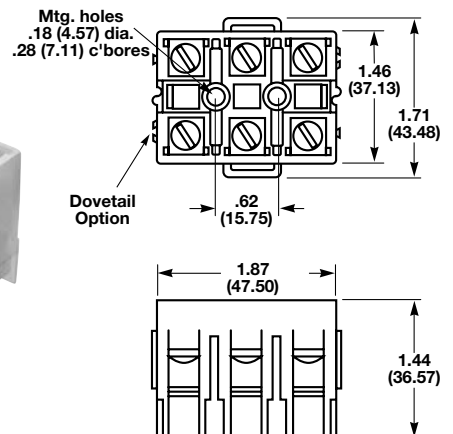
**Rating:** 90A, 600V  
**Center Spacing:** .635" (16.13 mm)  
**Number Of Poles:** 1  
**Circuits Per Foot:** 18  
**Wire Range:** AWG #2-18 CU  
**Screw Size:** #1/4-28  
**Mounting Options:** 35mm DIN rail, C-rail  
 \* Dove-tail option is available for mounting side-by-side.  
 Order part no. NDN1-A  
**Marking Tape:** MT12-1/2  
**Torque Rating:** 32 in-lb  
**Operating Temperature:** 105°C



### NDN111

#### SPECIFICATIONS:

**Rating:** 90A, 600V; UL/CSA  
**Center Spacing:** .635" (16.13 mm)  
**Number Of Poles:** 3  
**Circuits Per Foot:** 18  
**Circuit Jumper:** JN1, 2 circuits  
**Wire Range:** AWG #2-18 CU  
**Screw Size:** #1/4-28  
**Mounting Options:** 35mm DIN rail, C-rail, Base Mount  
 \* Dove-tail option is available for mounting side-by-side.  
 Order part no. NDN111-A  
**Marking Tape:** MT12-1/2  
**Torque Rating:** 32 in-lb  
**Operating Temperature:** 105°C

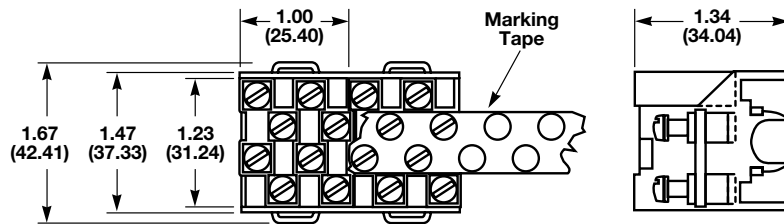


## Rail Mount Terminal Blocks

### NDNV4

#### SPECIFICATIONS:

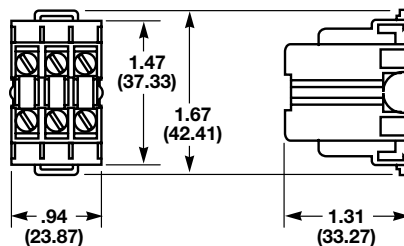
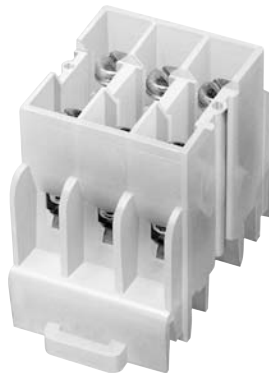
**Rating:** NDNV4 30A, 600V; UL/CSA  
**Center Spacing:** .250" (6.35mm)  
**Number Of Poles:** 4  
**Circuits Per Foot:** 48  
**Circuit Jumper:** JN4, 4 circuits  
**Wire Range:** AWG #10-22 CU  
**Screw Size:** #6-32  
**Mounting Options:** 35mm DIN rail, C-rail  
**Marking Tape:** MTC6  
**Torque Rating:** 18 in-lb  
**Operating Temperature:** 105°C



### NDN3

#### SPECIFICATIONS:

**Rating:** 30A - field wiring; 40A - factory wiring  
 600V; UL/CSA  
**Center Spacing:** .300" (7.62 mm)  
**Number Of Poles:** 3  
**Circuits Per Foot:** 38  
**Circuit Jumper:** JNDN3, 2 circuits  
**Wire Range:** AWG #10-22 CU  
**Screw Size:** #6-32  
**Mounting Options:** 35mm DIN rail, C-rail  
**Marking Tape:** MT12-1/2  
**Torque Rating:** 18 in-lb  
**Operating Temperature:** 105°C

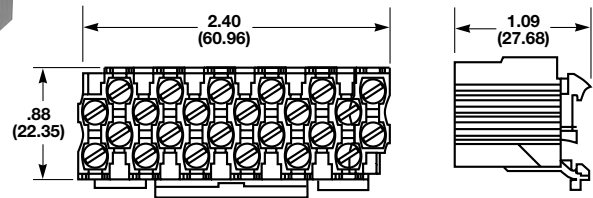


## Rail Mount Terminal Blocks

### N512

#### SPECIFICATIONS:

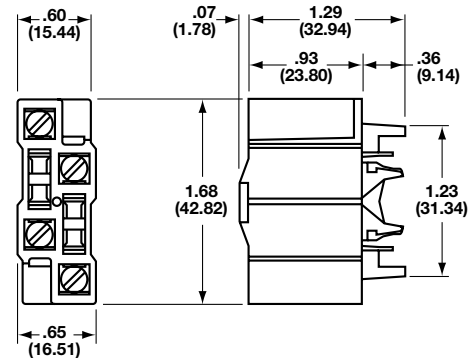
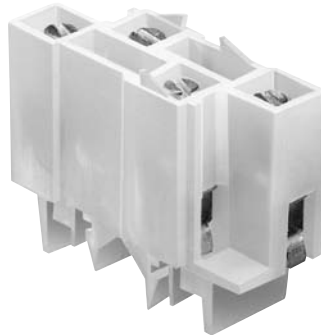
**Rating:** 5A, 600V; UL/CSA  
 20A, 300V; UL/CSA  
**Center Spacing:** .197" (5.00 mm)  
**Number Of Poles:** 12  
**Circuits Per Foot:** 60  
**Circuit Jumper:** JN512, 12 circuits  
**Wire Range:** AWG #12-22 CU  
**Screw Size:** #4-48  
**Mounting Options:** C-rail, 15mm DIN rail  
**Marking Tape:** AT512  
**Torque Rating:** 12 in-lb  
**Operating Temperature:** 105°C



### NFT2

#### SPECIFICATIONS:

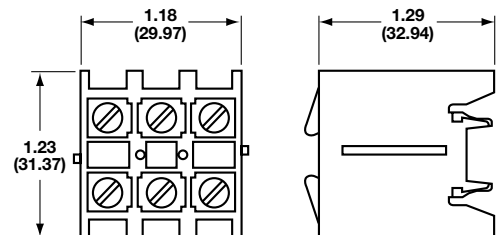
**Rating:** 40A, 600V; UL/CSA;  
 55A Factory Wired  
**Center Spacing:** .281" (7.13 mm)  
**Number Of Poles:** 2  
**Circuits Per Foot:** 38  
**Circuit Jumper:** JN2, 2 circuits  
**Wire Range:** AWG #8-22 CU  
**Screw Size:** #8-32  
**Mounting Options:** C-rail  
**Marking Tape:** MT12-1/2  
**Torque Rating:** 18 in-lb  
**Operating Temperature:** 105°C



### NFT3

#### SPECIFICATIONS:

**Rating:** 40A, 600V; UL/CSA  
 55A Factory Wired  
**Center Spacing:** .390" (9.91 mm)  
**Number Of Poles:** 3  
**Circuits Per Foot:** 28  
**Circuit Jumper:** JN3, 2 circuits  
**Wire Range:** AWG #8-22 CU  
**Screw Size:** #8-32  
**Mounting Options:** C-rail  
**Marking Tape:** MT12-1/2  
**Torque Rating:** 18 in-lb  
**Operating Temperature:** 105°C

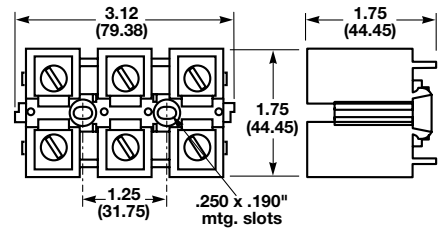


## Rail & Base Mount Terminal Blocks

### NC3

#### SPECIFICATIONS:

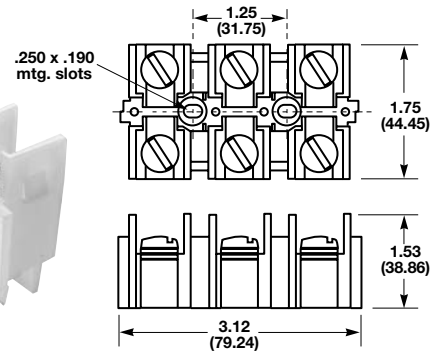
**Rating:** 175A, 600V; UL/CSA  
**Center Spacing:** 1.06" (26.92 mm)  
**Number Of Poles:** 3  
**Circuits Per Foot:** 11  
**Wire Range:** 2/0-#14 CU/AL  
**Screw Size:** 5/16-24  
**Mounting Options:** C-rail, Base Mount  
**Marking Tape:** MT12-1/2  
**Torque Rating:** 45 in-lb  
**Operating Temperature:** 105°C



### NSE3

#### SPECIFICATIONS:

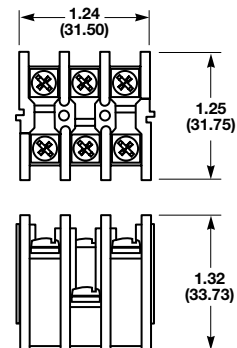
**Rating:** 115A, 600V; UL/CSA  
**Center Spacing:** 1.06" (26.92 mm)  
**Number Of Poles:** 3  
**Circuits Per Foot:** 11  
**Circuit Jumper:** JNSE3, 2 circuits  
**Wire Range:** For use with wire crimped to ring terminal  
**Screw Size:** #1/4-28  
**Mounting Options:** C-rail, Base Mount  
**Marking Tape:** MT12-1/2  
**Torque Rating:** 32 in-lb  
**Operating Temperature:** 105°C



### NSS3

#### SPECIFICATIONS:

**Rating:** 30A, 600V; UL/CSA  
**Center Spacing:** .385" (9.77 mm)  
**Number Of Poles:** 3  
**Circuits Per Foot:** 28  
**Circuit Jumper:** JNSS3, 2 circuits  
**Wire Range:** For use with wire crimped to ring terminal  
**Screw Size:** #6-32  
**Mounting Options:** C-rail  
**Marking Tape:** MT12-1/2  
**Torque Rating:** 12 in-lb  
**Operating Temperature:** 105°C

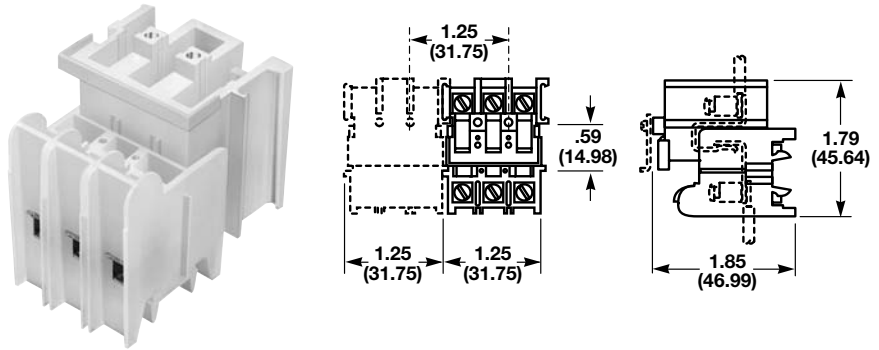


## Depluggable Rail Mount Terminal Blocks

### PLU3

#### SPECIFICATIONS:

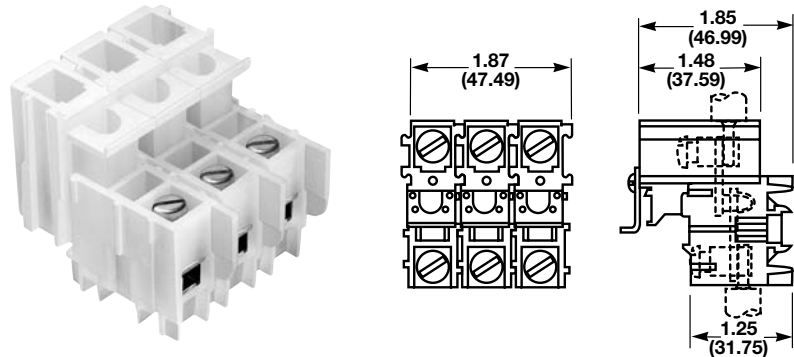
**Rating:** 40A, 600V; UL/CSA  
**Center Spacing:** .390" (9.91 mm)  
**Number Of Poles:** 3  
**Circuits Per Foot:** 28  
**Circuit Jumper:** JN3, 2 circuits  
**Wire Range:** AWG #8-22 CU  
**Screw Size:** #8-32  
**Mounting Options:** C-rail, Stackable  
**Marking Tape:** MT12-1/2  
**Torque Rating:** 18 in-lb  
**Operating Temperature:** 105°C



### PLU1 Series

#### SPECIFICATIONS:

**Rating:** 70A, 600V; UL/CSA  
**Center Spacing:** .625" (15.88 mm)  
**Number Of Poles:** 1-3  
     PLU1 (1 pole)  
     PLU11 (2 pole)  
     PLU111 (3 pole)  
**Circuits Per Foot:** 19  
**Circuit Jumper:** JN1, 2 circuits  
**Wire Range:** AWG #4-18 CU  
**Screw Size:** #1/4-28  
**Mounting Options:** C-rail, Stackable  
**Marking Tape:** MT12-1/2  
**Torque Rating:** 32 in-lb  
**Operating Temperature:** 105°C



### PSU1 Series

#### SPECIFICATIONS:

**Rating:** 45A\*, 600V; UL/CSA  
 \*45A rating achieved with ring terminal crimped to wire.  
**Center Spacing:** .625" (15.88 mm)  
**Number Of Poles:** 1-3  
     PSU1 (1 pole)  
     PSU11 (2 pole)  
     PSU111 (3 pole)  
**Circuits Per Foot:** 19  
**Wire Range:** For use with crimp on connectors only.  
**Screw Size:** #10-32  
**Mounting Options:** C-rail, Stackable  
**Marking Tape:** MT12-1/2  
**Torque Rating:** 24 in-lb  
**Operating Temperature:** 105°C

