

EuroMag Series PCB Mount Terminal Blocks

EM3123 Series Euro-Mag Terminal Blocks 3.50 Centers; Modular

SPECIFICATIONS

Rating: 6A, 300V

Center Spacing: 0.138" (3.50mm)

Wire Range: #16-26 AWG

Housing Material: Black Polyamide Type 6/6, 94V0

Contact Material: Tin-Plated Brass

Wire Protector: Stainless Steel

Screw Size: M2.0 Chromate Steel

Operating Temperature: 105°C (221°F) max., -33°C (-27°F) min.

Torque Rating: 2.5 lb-in.

Recommended PCB Hole Diameters: 0.055" (1.40mm)

Construction: Modular design features dovetails for interlocking to achieve longer lengths

Agency Information: cULus File E62622; CE Certified

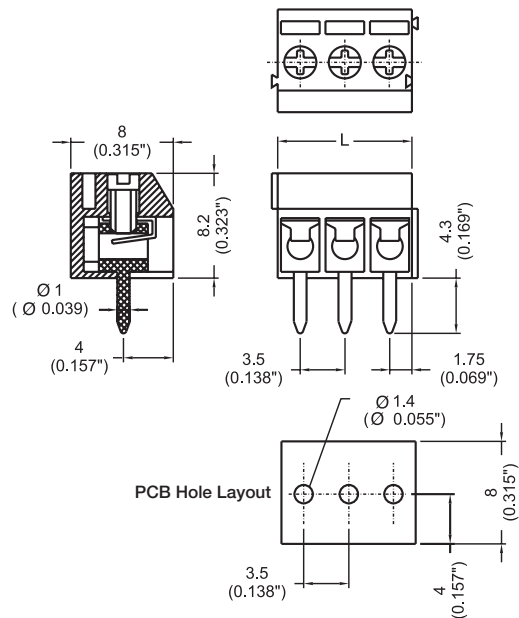


EM312305

Poles	L (mm)	Poles	L (mm)
2	7.0	14	49.5
3	10.5	15	52.5
4	14.0	16	56.0
5	17.5	17	59.5
6	21.0	18	63.0
7	24.5	19	66.5
8	28.0	20	70.0
9	31.5	21	73.5
10	35.0	22	77.0
11	38.5	23	80.5
12	42.0	24	84.0
13	45.5		

To convert to inches, divide by 25.4

Dimensions - mm (in)



Part Numbering System

Series

of Poles

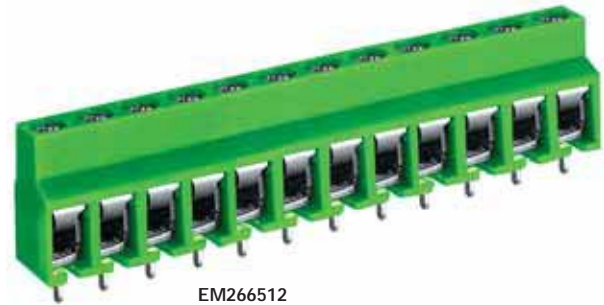


02 to 24

EM2665 Series
Euro-Mag Terminal Blocks
 5.00 Centers

SPECIFICATIONS

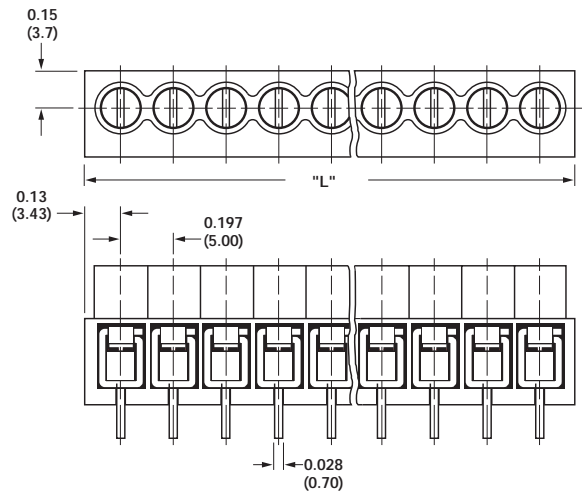
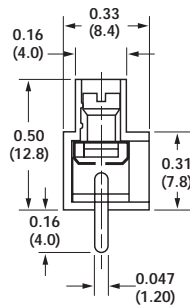
- Rating:** 10A, 300V
- Center Spacing:** 0.197" (5.00mm)
 Consult factory for 0.394" (10.00mm)
- Wire Range:** #14-22 AWG
- Housing Material:** UL rated 94V0 Thermoplastic
- Contact Material:** Brass Tin-Plated
- Screw Size:** M3x5 Zinc-Plated Steel
- Operating Temperature:** 105°C (221°F) max., -40°C (-40°F) min.
- Torque Rating:** 7 lb-in.
- Recommended PCB Hole Diameters:** 0.055" (1.40mm)
- Construction:** Mold to Length
- Connector Style:** Spring Clamp
- Agency Information:** e₃us File E62622; CE Certified



EM266512

Position	L (mm)	Position	L (mm)
02	10.0	14	70.0
03	15.0	15	75.0
04	20.0	16	80.0
05	25.0	17	85.0
06	30.0	18	90.0
07	35.0	19	95.0
08	40.0	20	100.0
09	45.0	21	105.0
10	50.0	22	110.0
11	55.0	23	115.0
12	60.0	24	120.0
13	65.0		

To convert to inches, divide by 25.4



Also available in 10.00mm (EM2661XX).

Part Numbering System



EuroMag Series PCB Mount Terminal Blocks

EM3660 Series Euro-Mag Terminal Blocks 5.00 Centers; Modular

SPECIFICATIONS

Rating: 16A, 250V

Center Spacing: 0.197" (5.00mm)

Wire Range: #16-24 AWG

Housing Material: Blue Polyamide Type 6/6, 94V0

Contact Material: Tin-Plated Brass

Wire Protector: Stainless Steel

Screw Size: M3 Nickel-Plated Steel

Operating Temperature: 105°C (221°F) max., -33°C (-27°F) min.

Torque Rating: 4.0 lb-in.

Recommended PCB Hole Diameters: 0.055" (1.40mm)

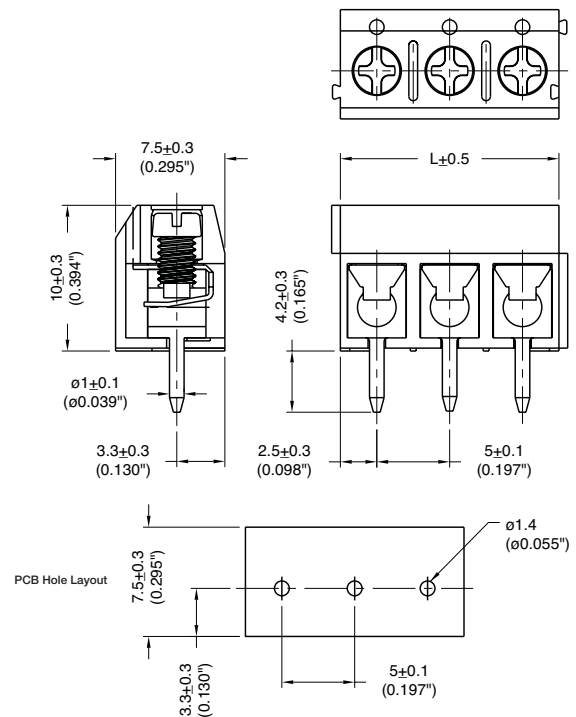
Construction: Modular design features dovetails for interlocking to achieve longer lengths

Agency Information:  File E62622; CE Certified



EM366005

Dimensions - mm (in)



Poles	L (mm)	Poles	L (mm)
2	10.0	14	70.0
3	15.0	15	75.0
4	20.0	16	80.0
5	25.0	17	85.0
6	30.0	18	90.0
7	35.0	19	95.0
8	40.0	20	100.0
9	45.0	21	105.0
10	50.0	22	110.0
11	55.0	23	115.0
12	60.0	24	120.0
13	65.0		

To convert to inches, divide by 25.4

Part Numbering System

Series

of Poles

EM3660

02 to 24

EM3665 Series
Euro-Mag Terminal Blocks
 5.00 Centers; Modular

SPECIFICATIONS

- Rating:** 10A, 300V
- Center Spacing:** 0.197" (5.00mm)
- Wire Range:** #16-22 AWG
- Housing Material:** UL rated 94V0 Thermoplastic
- Contact Material:** Tin-Plated Brass
- Screw Size:** M2.5x5 Zinc-Plated Steel
- Operating Temperature:** 105°C (221°F) max., -40°C (-40°F) min.
- Torque Rating:** 2.5 lb-in.
- Recommended PCB Hole Diameters:** 0.055" (1.40mm)
- Construction:** Modular design features dovetails for interlocking to achieve longer lengths
- Connector Style:** Spring Clamp
- Agency Information:** cULus File E62622; CE Certified

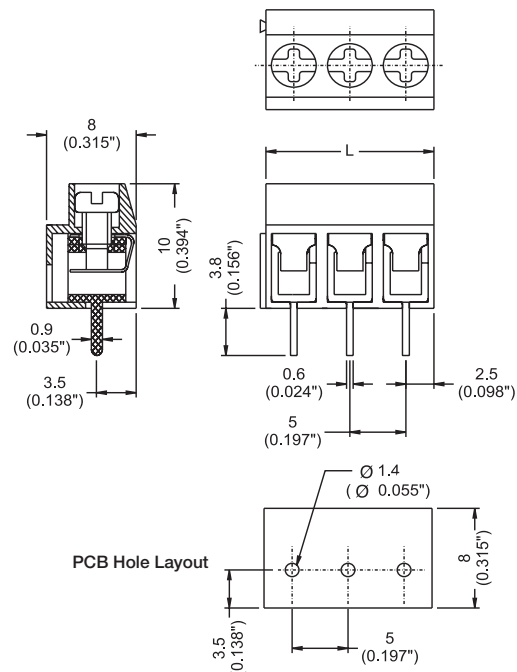


EM366512

Poles	L (mm)	Poles	L (mm)
2	10.0	14	70.0
3	15.0	15	75.0
4	20.0	16	80.0
5	25.0	17	85.0
6	30.0	18	90.0
7	35.0	19	95.0
8	40.0	20	100.0
9	45.0	21	105.0
10	50.0	22	110.0
11	55.0	23	115.0
12	60.0	24	120.0
13	65.0		

To convert to inches, divide by 25.4

Dimensions - mm (in)



Part Numbering System



EuroMag Series PCB Mount Terminal Blocks

EM3675 Series Euro-Mag Terminal Blocks 5.00 Centers

SPECIFICATIONS

Rating: 10A, 300V

Center Spacing: 0.197" (5.00mm)

Wire Range: #14-26 AWG

Housing Material: UL rated 94V0 Thermoplastic

Contact Material: Tin-Plated Brass

Screw Size: M2x6, Nickel-Plated Steel

Operating Temperature: 105°C (221°F) max., -40°C (-40°F) min.

Torque Rating: 4.0 lb-in.

Recommended PCB Hole Diameters: 0.055" (1.40mm)

Construction: Mold to Length

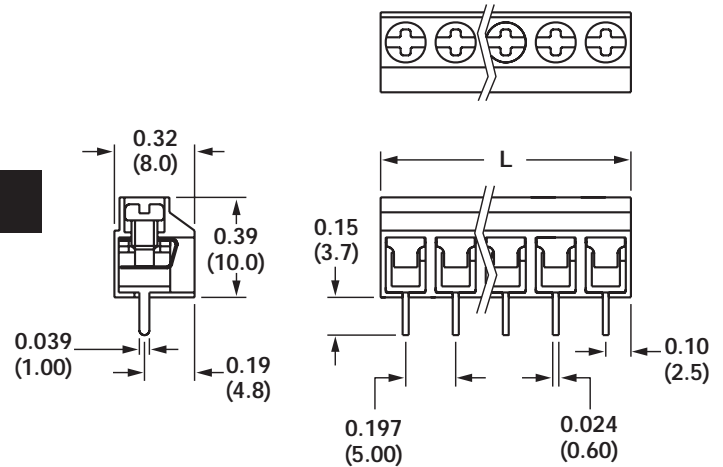
Connector Style: Spring Clamp

Agency Information:  File E62622; CE Certified



EM367512

Dimensions - mm (in)



Poles	L (mm)	Poles	L (mm)
2	10.0	15	75.0
3	15.0	16	80.0
4	20.0	17	85.0
5	25.0	18	90.0
6	30.0	19	95.0
7	35.0	20	100.0
8	40.0	21	105.0
9	45.0	22	110.0
10	50.0	23	115.0
11	55.0	24	120.0
12	60.0	25	125.0
13	65.0	26	130.0
14	70.0	27	135.0

To convert to inches, divide by 25.4

Part Numbering System

Series

of Poles

EM3675

02 to 27

EM3127 Series Euro-Mag Terminal Blocks 7.50 Centers; Modular

SPECIFICATIONS

Rating: 10A, 300V

Center Spacing: 0.295" (7.50mm)

Wire Range: #14-22 AWG

Housing Material: Black Polyamide Type 6/6, 94V0

Contact Material: Tin-Plated Brass

Wire Protector: Stainless Steel

Screw Size: M3.0 Nickel-Plated Steel

Operating Temperature: 105°C (221°F) max., -33°C (-27°F) min.

Torque Rating: 3.5 lb-in.

Recommended PCB Hole Diameters: 0.055" (1.40mm)

Construction: Modular design features dovetails for interlocking to achieve longer lengths

Agency Information: cULus File E62622; CE Certified

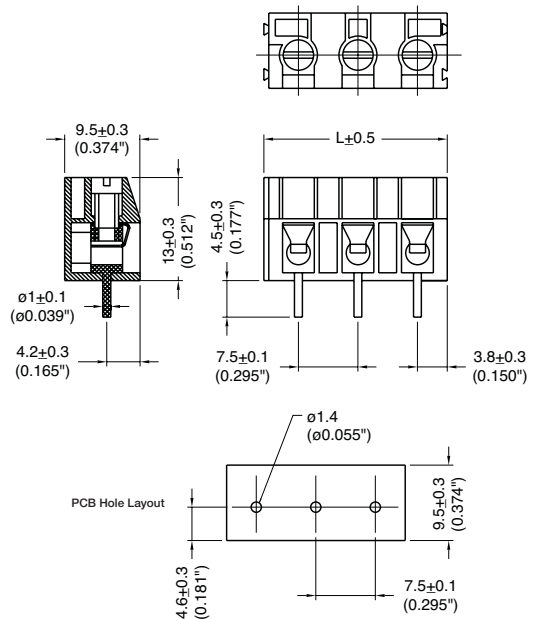


EM312705

Poles	L (mm)	Poles	L (mm)
2	15.0	14	105.0
3	22.5	15	112.5
4	33.0	16	120.0
5	37.5	17	127.5
6	45.0	18	133.0
7	52.5	19	142.5
8	60.0	20	150.0
9	67.5	21	157.5
10	75.0	22	165.0
11	82.5	23	172.5
12	90.0	24	180.0
13	97.5		

To convert to inches, divide by 25.4

Dimensions - mm (in)



Part Numbering System

Series

of Poles

EM3127

□□

02 to 24

EuroMag Series PCB Mount Terminal Blocks

EM2661 Series Euro-Mag Terminal Blocks 10.00 Centers

SPECIFICATIONS

Rating: 10A, 300V

Center Spacing: 0.394" (10.00mm)

Wire Range: #14-26 AWG

Housing Material: UL rated 94V0 Thermoplastic

Contact Material: Tin-Plated Brass

Wire Protector: Stainless Steel

Screw Size: M2.6 Chromate Steel

Operating Temperature: 105°C (221°F) max., -55°C (-40°F) min.

Torque Rating: 4.0 lb-in.

Recommended PCB Hole Diameters: 0.055" (1.40mm)

Construction: Mold-to-Length

Agency Information:  File E62622; CE Certified

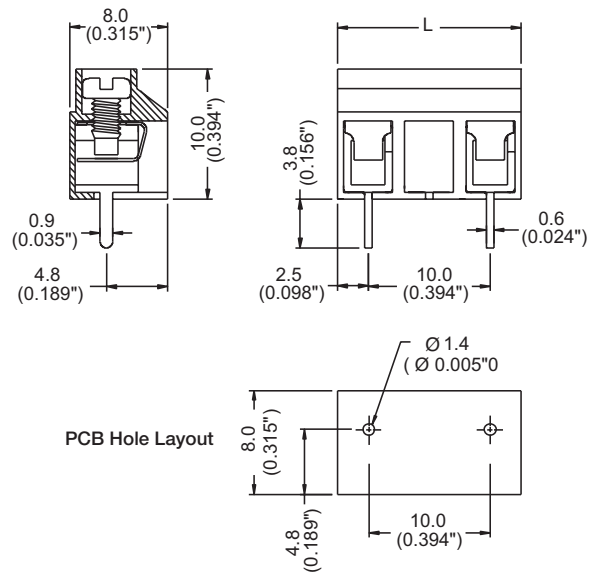


EM266106

Poles	L (mm)	Poles	L (mm)
2	15.0	8	75.0
3	25.0	9	85.0
4	35.0	10	95.0
5	45.0	11	105.0
6	55.0	12	115.0
7	65.0	13	125.0

To convert to inches, divide by 25.4

Dimensions - mm (in)



Part Numbering System

Series

of Poles

EM2661

02 to 13

EM3661 Series Euro-Mag Terminal Blocks

10.00 Centers; Modular

SPECIFICATIONS

Rating: 10A, 300V

Center Spacing: 0.394" (10.00mm)

Wire Range: #14-26 AWG

Housing Material: UL rated 94V0 Thermoplastic

Contact Material: Tin-Plated Brass

Wire Protector: Stainless Steel

Screw Size: M2.6 Chromate Steel

Operating Temperature: 105°C (221°F) max., -55°C (-40°F) min.

Torque Rating: 4.0 lb-in.

Recommended PCB Hole Diameters: 0.055" (1.40mm)

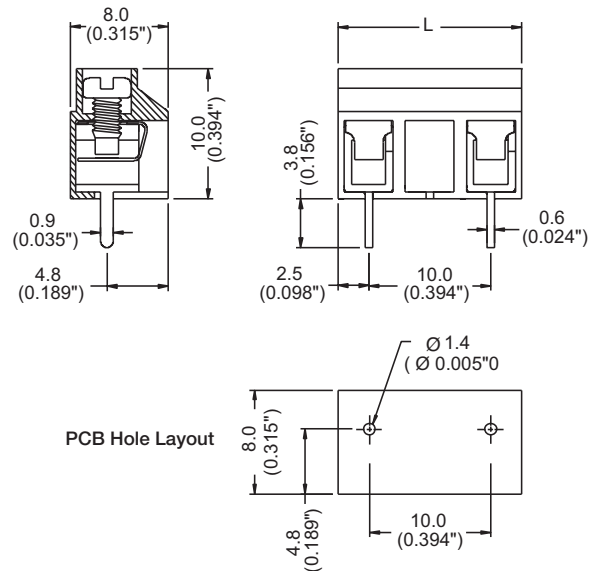
Construction: Modular design features dovetails for interlocking to achieve longer lengths

Agency Information: File E62622; CE Certified



EM366102

Dimensions - mm (in)



Poles	L (mm)	Poles	L (mm)
2	15.0	9	50.0
3	20.0	10	55.0
4	25.0	11	60.0
5	30.0	12	65.0
6	35.0	13	70.0
7	40.0	14	75.0
8	45.0		

To convert to inches, divide by 25.4

Part Numbering System

Series

of Poles

EM3661

□□

02 to 14

EuroMag Series PCB Mount Terminal Blocks

EM3671 Series Euro-Mag Terminal Blocks 10.00 Centers

SPECIFICATIONS

Rating: 10A, 300V

Center Spacing: 0.394" (10.00mm)

Wire Range: #14-26 AWG

Housing Material: UL rated 94V0 Thermoplastic

Contact Material: Tin-Plated Brass

Wire Protector: Stainless Steel

Screw Size: M2.6 Chromate Steel

Operating Temperature: 105°C (221°F) max., -55°C (-40°F) min.

Torque Rating: 4.0 lb-in.

Recommended PCB Hole Diameters: 0.055" (1.40mm)

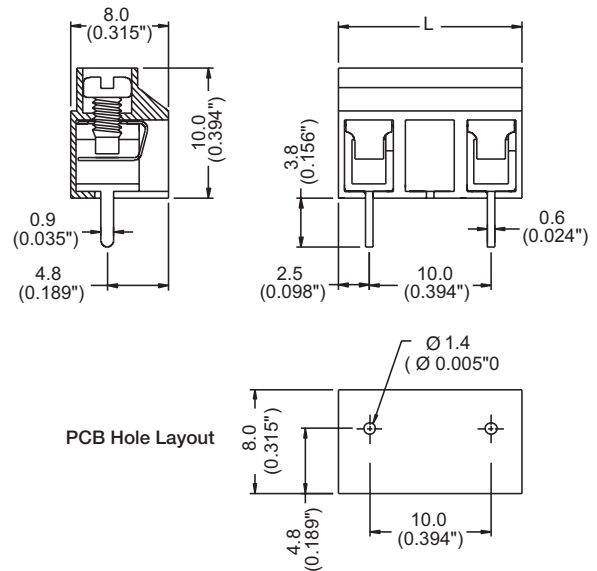
Construction: Mold-to-Length

Agency Information: e²us File E62622; CE Certified



EM367106

Dimensions - mm (in)



Poles	L (mm)	Poles	L (mm)
2	15.0	8	75.0
3	25.0	9	85.0
4	35.0	10	95.0
5	45.0	11	105.0
6	55.0	12	115.0
7	65.0	13	125.0

To convert to inches, divide by 25.4

Part Numbering System

Series

of Poles



02 to 13