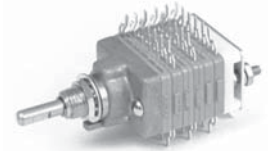


# C1 - SERIES

## SPECIFICATIONS AND ORDERING INFORMATION

0.865" WIDE 0.25 AMP @ 28 VDC

The C1 Series is our smallest enclosed rotary switch, offering index angles of 30°, 60°, and 90°. Standard designs utilize solder lug or vertical PC terminals and diallyl phthalate insulation.



### SPECIFICATIONS

#### ELECTRICAL

**Current and Voltage Rating:** Make and break resistive load 0.25 amp @ 28 VDC; 0.1 amp @ 125 VAC.  
**Current Carrying Capacity:** 6 amps.  
**Dielectric Strength:** 600 VAC between current carrying parts and ground.  
**Contact Resistance:** Average initial 5 milliohms.  
**Insulation Resistance:** In excess of 10,000 megohms.

**Hardware:** Mounting nut and lockwasher are shipped assembled.

#### MECHANICAL

**Materials and Finishes:** All parts utilize non-corrosive materials as standard.  
**Terminals and Contacts:** Brass with silver plate as standard.  
**Insulation:** Diallyl phthalate.  
**Index:** Dual-ball, hill and valley.  
**Index Life:** 25,000 cycles minimum.  
**Index Torque:** Switches have lowest practical torque consistent with crisp detenting and smooth, reliable operation.  
**Index Angles:** 30° standard, 60°, and 90° available.  
**Index Stops:** Fixed standard, adjustable, or continuous available.  
**Stop Strength:** 8 in. lbs. minimum.

### STANDARD PART NUMBER

#### SOLDER LUG - ADJUSTABLE STOPS

SWITCHES - 30° INDEXING - STOPS SET @ 2 POS.

| POLES | ACTIVE POSITIONS | POLES/ DECK | NO. OF DECKS | SHORTING     | NON-SHORTING | FIG. * |
|-------|------------------|-------------|--------------|--------------|--------------|--------|
| 01    | 02-12            | 1           | 1            | C1D0112S - A | C1D0112N - A | CA     |
| 02    | 02-12            | 1           | 2            | C1D0212S - A | C1D0212N - A | CA     |
| 02    | 02-06            | 2           | 1            | C1D0206S - A | C1D0206N - A | CH     |
| 03    | 02-12            | 1           | 3            | C1D0312S - A | C1D0312N - A | CA     |
| 03    | 02-04            | 3           | 1            | C1D0304S - A | C1D0304N - A | CK     |
| 04    | 02-06            | 2           | 2            | C1D0406S - A | C1D0406N - A | CH     |
| 06    | 02-04            | 3           | 2            | C1D0604S - A | C1D0604N - A | CK     |
| 06    | 02-06            | 2           | 3            | C1D0606S - A | C1D0606N - A | CH     |

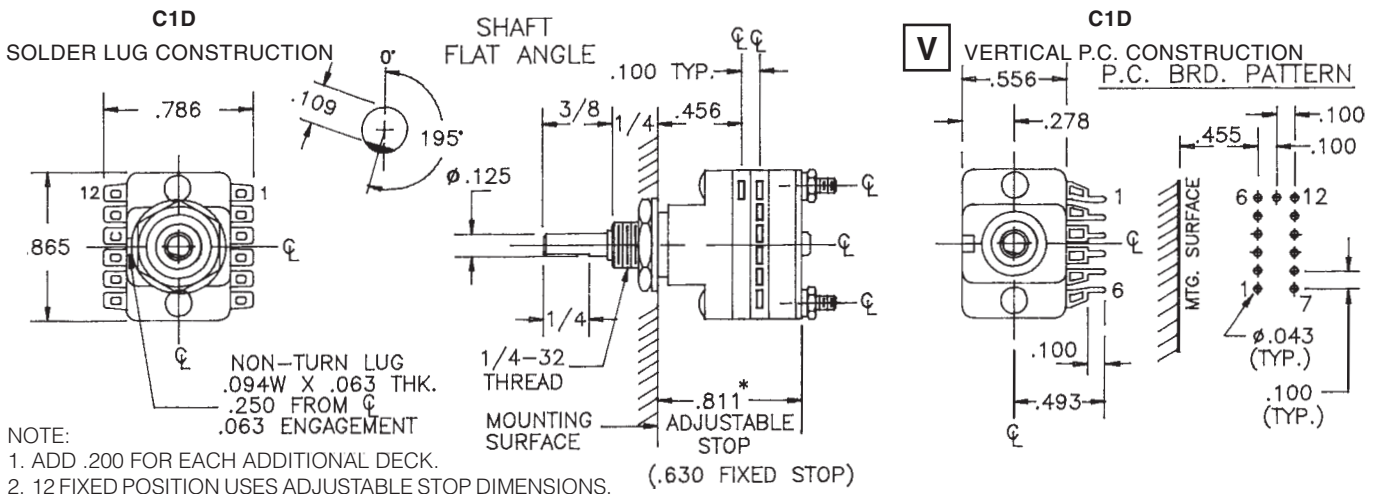
#### VERTICAL P.C. TERMINALS - ADJUSTABLE STOPS

SWITCHES - 30° INDEXING - STOPS SET @ 2 POS.

| POLES | ACTIVE POSITIONS | POLES/ DECK | NO. OF DECKS | SHORTING      | NON-SHORTING  | FIG. * |
|-------|------------------|-------------|--------------|---------------|---------------|--------|
| 01    | 02-06            | 1           | 1            | C1D0106S - VA | C1D0106N - VA | CB     |
| 01    | 02-12            | 1           | 1            | C1D0112S - VA | C1D0112N - VA | CC     |
| 02    | 02-06            | 1           | 2            | C1D0206S - VA | C1D0206N - VA | CB     |
| 02    | 02-12            | 1           | 2            | C1D0212S - VA | C1D0212N - VA | CC     |
| 03    | 02-06            | 1           | 3            | C1D0306S - VA | C1D0306N - VA | CB     |
| 03    | 02-12            | 1           | 3            | C1D0312S - VA | C1D0312N - VA | CC     |
| 04    | 02-06            | 1           | 4            | C1D0406S - VA | C1D0406N - VA | CB     |
| 04    | 02-12            | 1           | 4            | C1D0412S - VA | C1D0412N - VA | CC     |

\* FIGURES ARE SHOWN ON PAGE 55.

### DIMENSIONS

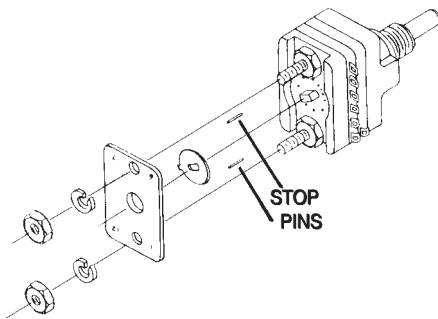


## How to Order Additional Options:

| 2 DIGIT SERIES | INSULATION TYPE | TOTAL POLES | ACTIVE POSITIONS                                   | CONTACT TYPE                     | TERMINAL TYPE                    | INDEX ANGLE       | STOP TYPE                          | SHAFT/ BUSHING | SHAFT FLAT    |
|----------------|-----------------|-------------|--|----------------------------------|----------------------------------|-------------------|------------------------------------|----------------|---------------|
| C1             | D - DIALLYL     | 01 - MIN.   | 12 - MAX @ 30°<br>06 - MAX @ 60°<br>04 - MAX @ 90° | N - NON-SHORTING<br>S - SHORTING | L - SOLDER LUG<br>V - VERT. P.C. | 30°<br>60°<br>90° | F - FIXED<br>C - CONT.<br>A - ADJ. | SEE CHART "A"  | SEE CHART "B" |
|                |                 |             |  |                                  | R - REAR P.C.                    | 30°<br>60°<br>90° | F - FIXED<br>C - CONT.             |                |               |

| CUSTOMERS SPECIFIED ORDER NUMBER FOR STANDARD OPTIONS |          |          |                      |                      | ADDITIONAL OPTIONS   |                      |                      |                      |                      |
|---|----------|----------|----------------------|----------------------|----------------------|----------------------|----------------------|----------------------|----------------------|
| <b>C</b>  | <b>1</b> | <b>D</b> | <input type="text"/> | <input type="text"/> | <input type="text"/> | <input type="text"/> | <input type="text"/> | <input type="text"/> | <input type="text"/> |
|   |          |          | (SPECIFY)            | (SPECIFY)            | (SPECIFY)            | (SPECIFY)            | (SPECIFY)            | (SPECIFY)            | (SPECIFY)            |

### ADJUSTABLE STOP MECHANISM



### SHAFT, BUSHING, AND FLAT OPTIONS



Chart A 1/8" shaft

| P/N OPT | Shaft Lgth | Bush Lgth |
|---------|------------|-----------|
| 01      | 3/8        | 1/4       |
| 02      | 3/8        | 3/8       |
| 03      | 1/2        | 1/4       |
| 04      | 1/2        | 3/8       |
| 05      | 9/16       | 1/4       |
| 06      | 9/16       | 3/8       |
| 07      | 5/8        | 1/4       |
| 08      | 5/8        | 3/8       |
| 09      | 3/4        | 1/4       |
| 10      | 3/4        | 3/8       |
| 11      | 7/8        | 1/4       |
| 12      | 7/8        | 3/8       |
| 13      | 1          | 1/4       |
| 14      | 1          | 3/8       |

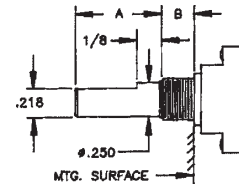


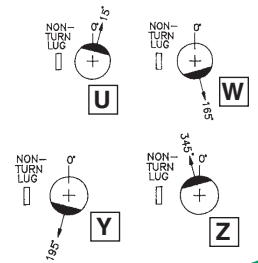
Chart A 1/4" shaft

| P/N OPT | Shaft Lgth | Bush Lgth |
|---------|------------|-----------|
| 15      | 3/8        | 1/4       |
| 16      | 3/8        | 3/8       |
| 17      | 1/2        | 1/4       |
| 18      | 1/2        | 3/8       |
| 19      | 3/4        | 1/4       |
| 20      | 3/4        | 3/8       |
| 21      | 1          | 1/4       |
| 22      | 1          | 3/8       |

CHART "B"

| P/N OPT. | FLAT ANGLE |
|----------|------------|
| U        | 15°        |
| W        | 165°       |
| Y        | 195°       |
| Z        | 345°       |

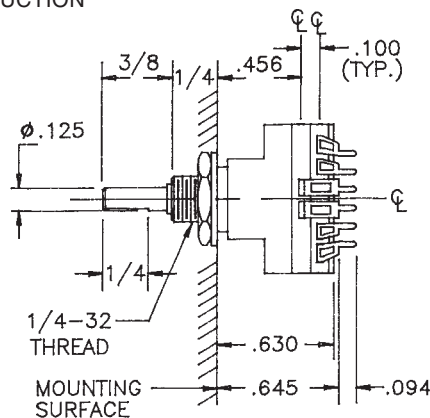
SHAFT AS VIEWED WITH NON-TURN LUG AT 9 O'CLOCK AND SHAFT IN EXTREME CCW POSITION AND STRUT BOLTS ORIENTED VERTICALLY.



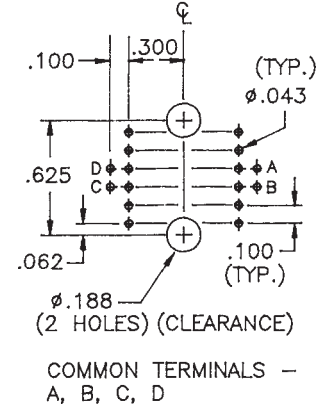
### PRINTED CIRCUIT BOARD TERMINAL OPTIONS

**R**

REAR P.C. FIXED STOP CONSTRUCTION



P.C. BRD. PATTERN



CUSTOM SWITCHES ARE AVAILABLE. CONTACT THE FACTORY WITH YOUR COMPLETE SPECIFICATIONS.