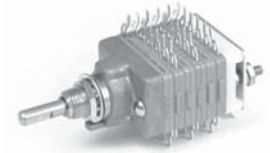


C1 - SERIES

SPECIFICATIONS AND ORDERING INFORMATION

0.865" WIDE 0.25 AMP @ 28 VDC

The C1 Series is our smallest enclosed rotary switch, offering index angles of 30°, 60°, and 90°. Standard designs utilize solder lug or vertical PC terminals and diallyl phthalate insulation.



SPECIFICATIONS

ELECTRICAL

Current and Voltage Rating: Make and break resistive load 0.25 amp @ 28 VDC; 0.1 amp @ 125 VAC.
Current Carrying Capacity: 6 amps.
Dielectric Strength: 600 VAC between current carrying parts and ground.
Contact Resistance: Average initial 5 milliohms.
Insulation Resistance: In excess of 10,000 megohms.

Hardware: Mounting nut and lockwasher are shipped assembled.

MECHANICAL

Materials and Finishes: All parts utilize non-corrosive materials as standard.
Terminals and Contacts: Brass with silver plate as standard.
Insulation: Diallyl phthalate.
Index: Dual-ball, hill and valley.
Index Life: 25,000 cycles minimum.
Index Torque: Switches have lowest practical torque consistent with crisp detenting and smooth, reliable operation.
Index Angles: 30° standard, 60°, and 90° available.
Index Stops: Fixed standard, adjustable, or continuous available.
Stop Strength: 8 in. lbs. minimum.

STANDARD PART NUMBER

SOLDER LUG - ADJUSTABLE STOPS

SWITCHES - 30° INDEXING - STOPS SET @ 2 POS.

| POLES | ACTIVE POSITIONS | POLES/ DECK | NO. OF DECKS | SHORTING | NON-SHORTING | FIG. * |
|-------|------------------|-------------|--------------|--------------|--------------|--------|
| 01 | 02-12 | 1 | 1 | C1D0112S - A | C1D0112N - A | CA |
| 02 | 02-12 | 1 | 2 | C1D0212S - A | C1D0212N - A | CA |
| 02 | 02-06 | 2 | 1 | C1D0206S - A | C1D0206N - A | CH |
| 03 | 02-12 | 1 | 3 | C1D0312S - A | C1D0312N - A | CA |
| 03 | 02-04 | 3 | 1 | C1D0304S - A | C1D0304N - A | CK |
| 04 | 02-06 | 2 | 2 | C1D0406S - A | C1D0406N - A | CH |
| 06 | 02-04 | 3 | 2 | C1D0604S - A | C1D0604N - A | CK |
| 06 | 02-06 | 2 | 3 | C1D0606S - A | C1D0606N - A | CH |

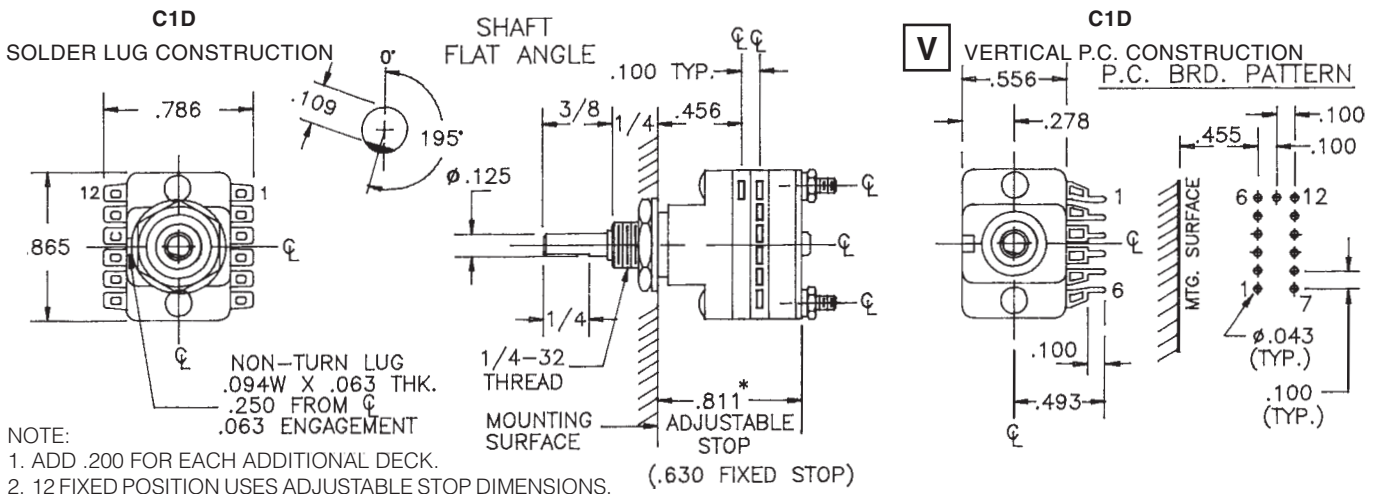
VERTICAL P.C. TERMINALS - ADJUSTABLE STOPS

SWITCHES - 30° INDEXING - STOPS SET @ 2 POS.

| POLES | ACTIVE POSITIONS | POLES/ DECK | NO. OF DECKS | SHORTING | NON-SHORTING | FIG. * |
|-------|------------------|-------------|--------------|---------------|---------------|--------|
| 01 | 02-06 | 1 | 1 | C1D0106S - VA | C1D0106N - VA | CB |
| 01 | 02-12 | 1 | 1 | C1D0112S - VA | C1D0112N - VA | CC |
| 02 | 02-06 | 1 | 2 | C1D0206S - VA | C1D0206N - VA | CB |
| 02 | 02-12 | 1 | 2 | C1D0212S - VA | C1D0212N - VA | CC |
| 03 | 02-06 | 1 | 3 | C1D0306S - VA | C1D0306N - VA | CB |
| 03 | 02-12 | 1 | 3 | C1D0312S - VA | C1D0312N - VA | CC |
| 04 | 02-06 | 1 | 4 | C1D0406S - VA | C1D0406N - VA | CB |
| 04 | 02-12 | 1 | 4 | C1D0412S - VA | C1D0412N - VA | CC |

* FIGURES ARE SHOWN ON PAGE 55.

DIMENSIONS

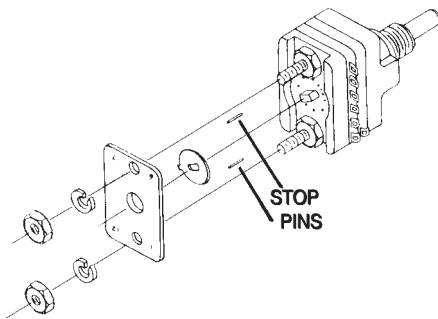


How to Order Additional Options:

| 2 DIGIT SERIES | INSULATION TYPE | TOTAL POLES | ACTIVE POSITIONS | CONTACT TYPE | TERMINAL TYPE | INDEX ANGLE | STOP TYPE | SHAFT/ BUSHING | SHAFT FLAT |
|----------------|-----------------|-------------|--|----------------------------------|----------------------------------|-------------------|------------------------------------|----------------|---------------|
| C1 | D - DIALLYL | 01 - MIN. | 12 - MAX @ 30° 06 - MAX @ 60° 04 - MAX @ 90° | N - NON-SHORTING S - SHORTING | L - SOLDER LUG V - VERT. P.C. | 30° 60° 90° | F - FIXED C - CONT. A - ADJ. | SEE CHART "A" | SEE CHART "B" |
| | | | | | R - REAR P.C. | 30° 60° 90° | F - FIXED C - CONT. | | |

| CUSTOMERS SPECIFIED ORDER NUMBER FOR STANDARD OPTIONS | | | | | ADDITIONAL OPTIONS | | | | |
|---|----------|----------|----------------------|----------------------|----------------------|----------------------|----------------------|----------------------|----------------------|
| C | 1 | D | <input type="text"/> | <input type="text"/> | <input type="text"/> | <input type="text"/> | <input type="text"/> | <input type="text"/> | <input type="text"/> |
| | | | (SPECIFY) | (SPECIFY) | (SPECIFY) | (SPECIFY) | (SPECIFY) | (SPECIFY) | (SPECIFY) |

ADJUSTABLE STOP MECHANISM



SHAFT, BUSHING, AND FLAT OPTIONS



Chart A 1/8" shaft

| P/N OPT | Shaft Lgth | Bush Lgth |
|---------|------------|-----------|
| 01 | 3/8 | 1/4 |
| 02 | 3/8 | 3/8 |
| 03 | 1/2 | 1/4 |
| 04 | 1/2 | 3/8 |
| 05 | 9/16 | 1/4 |
| 06 | 9/16 | 3/8 |
| 07 | 5/8 | 1/4 |
| 08 | 5/8 | 3/8 |
| 09 | 3/4 | 1/4 |
| 10 | 3/4 | 3/8 |
| 11 | 7/8 | 1/4 |
| 12 | 7/8 | 3/8 |
| 13 | 1 | 1/4 |
| 14 | 1 | 3/8 |

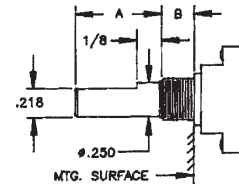


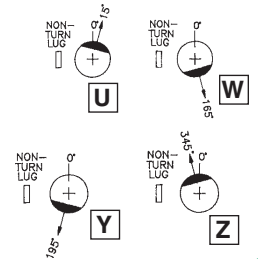
Chart A 1/4" shaft

| P/N OPT | Shaft Lgth | Bush Lgth |
|---------|------------|-----------|
| 15 | 3/8 | 1/4 |
| 16 | 3/8 | 3/8 |
| 17 | 1/2 | 1/4 |
| 18 | 1/2 | 3/8 |
| 19 | 3/4 | 1/4 |
| 20 | 3/4 | 3/8 |
| 21 | 1 | 1/4 |
| 22 | 1 | 3/8 |

CHART "B"

| P/N OPT. | FLAT ANGLE |
|----------|------------|
| U | 15° |
| W | 165° |
| Y | 195° |
| Z | 345° |

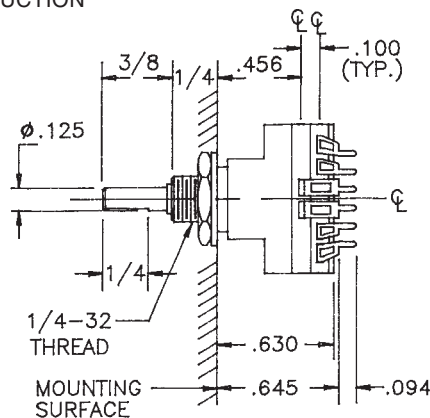
SHAFT AS VIEWED WITH NON-TURN LUG AT 9 O'CLOCK AND SHAFT IN EXTREME CCW POSITION AND STRUT BOLTS ORIENTED VERTICALLY.



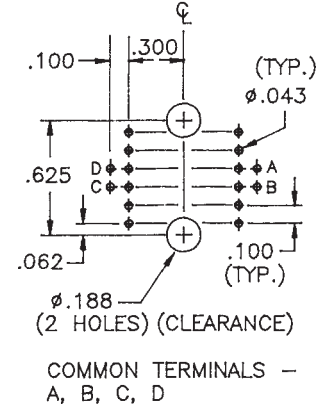
PRINTED CIRCUIT BOARD TERMINAL OPTIONS

R

REAR P.C. FIXED STOP CONSTRUCTION



P.C. BRD. PATTERN



CUSTOM SWITCHES ARE AVAILABLE. CONTACT THE FACTORY WITH YOUR COMPLETE SPECIFICATIONS.