

D

D

C

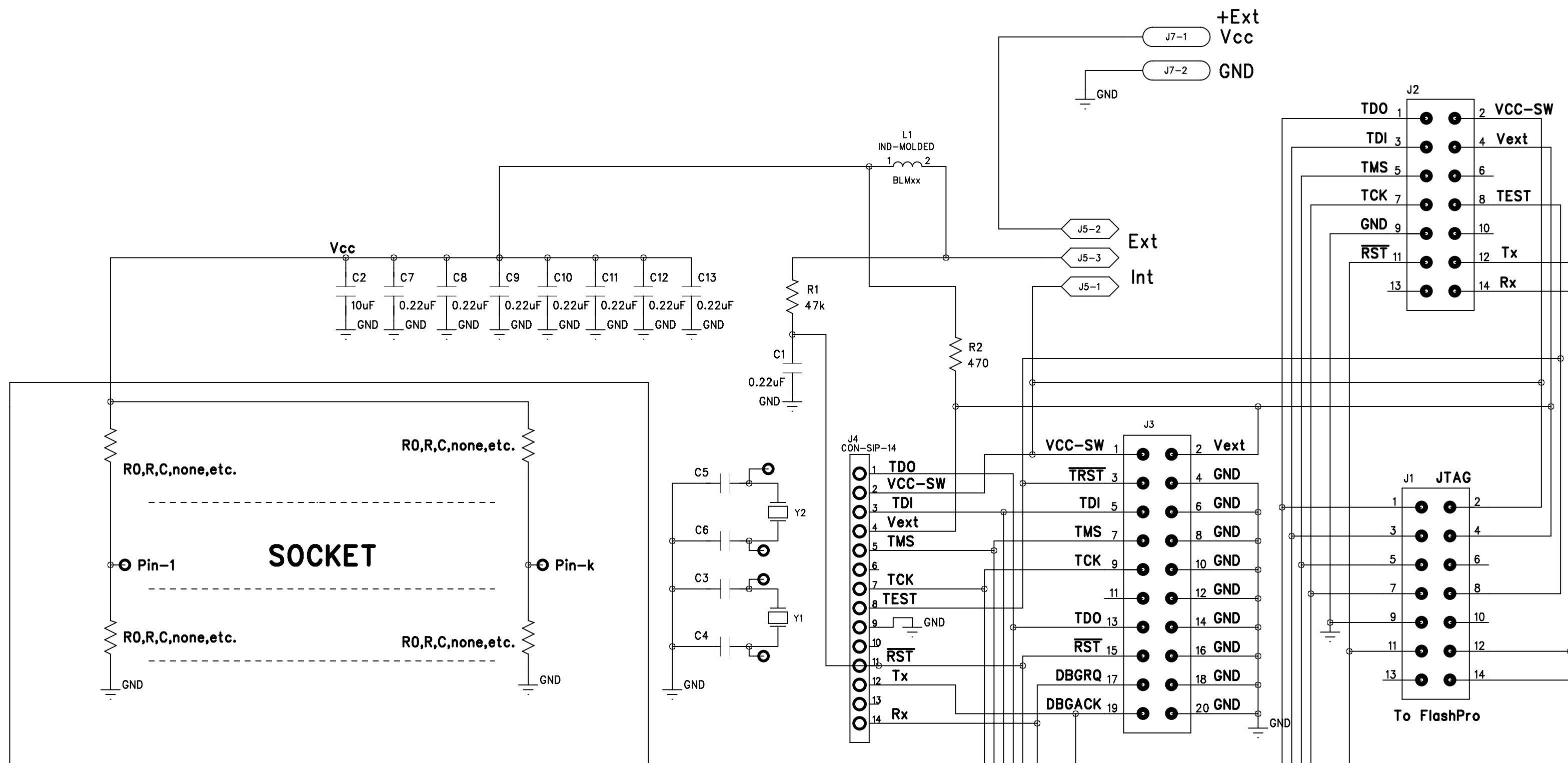
C

B

B

A

A



Package	PCB PN:	SOCKET PN:
QFN-32	PE047X10	IC550-0324-007-G (5x5mm, Yamaichi)
QFN-48	PE047X09	IC550-0484-004-G (7x7mm, Yamaichi)
QFN-64	PE047X08	264-5205-01 (7x7mm, 3M)
QFP-32	PE047X07	IC51-0324-1498 (7x7mm, Yamaichi)
QFP-48	PE047X06	IC234-0484-039N (8x8mm, Yamaichi)
QFP-64	PE047X05	IC51-0644-807 (10x10mm, Yamaichi)
QFP-80	PE047X04	IC201-0804-014 (12x12mm, Yamaichi)
QFP-100	PE047X03	IC201-1004-008 (14x14mm, Yamaichi)
QFP-144	PE047X02	IC201-1444-026N-2 (20x20mm, Yamaichi)

Revision	
1	
2	