

Product Overview

The EP5388QI is a synchronous buck converter with integrated inductor, PWM controller, MOSFETS, and Compensation providing the smallest possible solution size. The EP5388QI requires only two small MLCC capacitors to make a complete solution. Integration of the inductor greatly simplifies design, contains noise, reduces part count, and reduces solution footprint. Low output ripple ensures compatibility with RF systems.

The EP5388QI operates at a switching frequency of 4 MHz, enabling this unprecedented level of integration and small external components. Type III voltage mode control is used to provide high noise immunity and wide control loop bandwidth.

The small footprint makes this part ideal for space constrained portable applications. Shutdown current of <1uA extends battery life. Output voltage level is programmed via a 3-pin VID selector providing seven pre-programmed output voltages along with an option for external resistor divider.

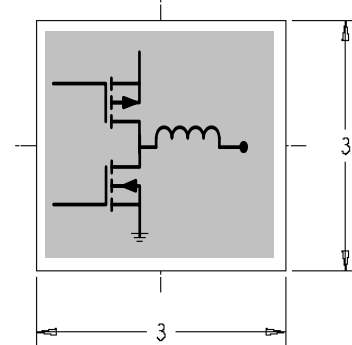
Applications

- Noise sensitive RF applications
- Area constrained applications
- Wireless data applications
- Portable gaming devices
- Personal Media Players
- Advanced Mobile Processors, DSP, IO, Memory, Video, Multimedia Engines

Ordering Information

Part Number	Temp Rating (°C)	Package
EP5388QI	-40 to +85	16-pin QFN T&R
EVB-EP5388QI	EP5388QI Evaluation Board	

Product Highlights



Featuring Integrated Inductor Technology

- 3mm x 3mm x 1.1mm QFN package
- Only two low cost MLCC caps required
- 4 MHz switching frequency
- High efficiency, up to 94%
- Up to 800mA continuous output current
- Wide 2.4V to 5.5V input range
- V_{OUT} Range 0.6V to $V_{IN} - 0.5V$
- 3-Pin VID output voltage programming
- 100% duty cycle capable
- Less than 1 μA standby current
- Low V_{OUT} ripple for RF compatibility
- Short circuit and over current protection
- UVLO and thermal protection
- RoHS compliant; MSL 3 260°C reflow

Typical Application Circuit

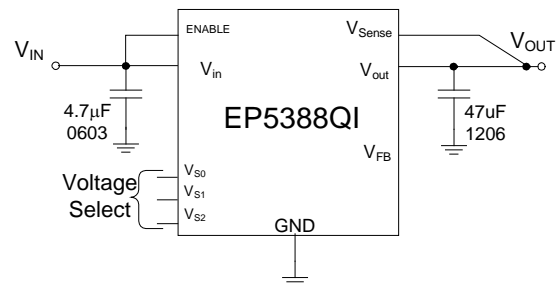


Figure 1. Typical application circuit.

Pin Description

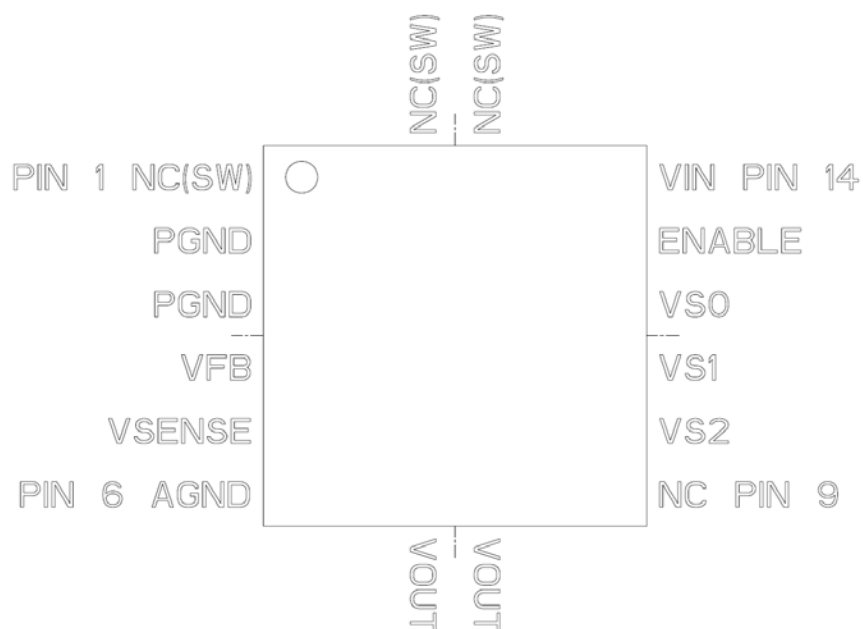


Figure 2. EP5388QI Package Pin-out.

PIN	NAME	FUNCTION
1, 15, 16	NC(SW)	No Connect. These pins are internally connected to the common drain output of the internal MOSFETs. NC(SW) pins are not to be electrically connected to any external signal, ground, or voltage. However, they must be soldered to the PCB. Failure to follow this guideline may result in part malfunction or damage.
2,3	PGND	Power Ground
4	VFB	Feedback pin for external divider option. When using the external divider option ($VS0=VS1=VS2=$ high) connect this pin to the center of the external divider. Set the divider such that $V_{FB} = 0.6V$. The “ground” side of the external divider should be connected to AGND
5	VSENSE	Sense pin for preset output voltages. Refer to application section for proper configuration
6	AGND	Analog ground. This is the quiet ground for the internal control circuitry
7,8	VOUT	Regulated Output Voltage. Refer to application section for proper layout and decoupling.
9	NC	No Connect. This pin should not be electrically connected to any external signal, voltage, or ground. This pin may be connected internally. However, this pin must be soldered to the PCB.
10, 11, 12	VS0,VS1,VS2	Output voltage select. $VS2=$ pin10 $VS1=$ pin11, $VS0=$ pin12. Selects one of seven preset output voltages or choose external divider by connecting pins to logic high or low. (refer to section on output voltage select for more detail).
13	ENABLE	Output enable. Enable = logic high, disable = logic low.
14	VIN	Input voltage pin. Refer

Functional Block Diagram

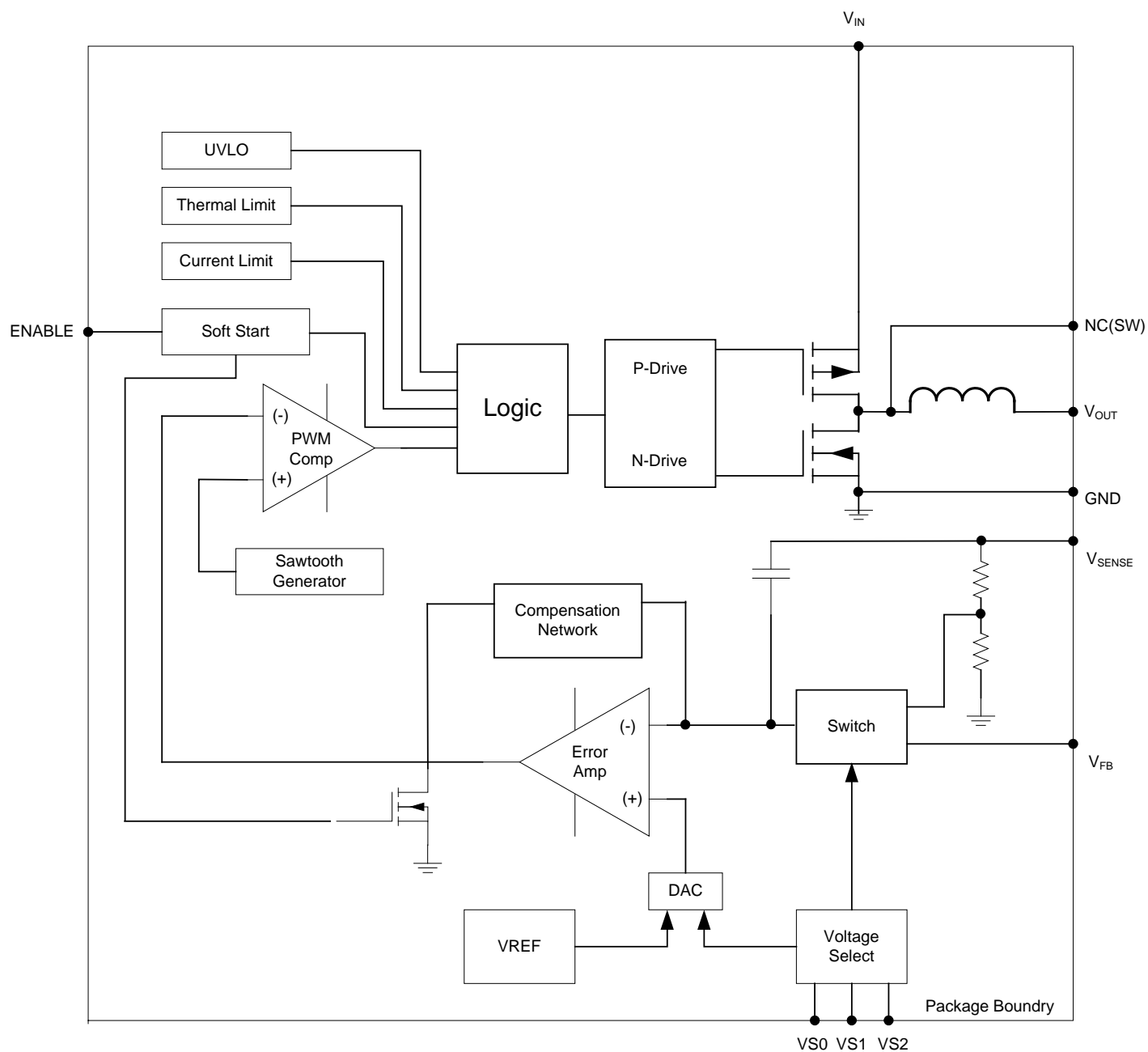


Figure 3. Functional block diagram.

Absolute Maximum Ratings

CAUTION: Absolute Maximum ratings are stress ratings only. Functional operation beyond recommended operating conditions is not implied. Stress beyond absolute maximum ratings may cause permanent damage to the device. Exposure to absolute maximum rated conditions for extended periods may affect device reliability.

PARAMETER	SYMBOL	MIN	MAX	UNITS
Input Supply Voltage	V_{IN}	-0.3	7.0	V
Voltages on: ENABLE, V_{SENSE} , V_{S0} - V_{S2}		-0.3	$V_{IN} + 0.3$	V
Voltage on: V_{FB}		-0.3	2.7	V
Storage Temperature Range	T_{STG}	-65	150	°C
Reflow Temp, 10 Sec, MSL3 JEDEC J-STD-020C			260	°C
ESD Rating (based on Human Body Model)			2000	V

Recommended Operating Conditions

PARAMETER	SYMBOL	MIN	MAX	UNITS
Input Voltage Range	V_{IN}	2.4	5.5	V
Output Voltage Range	V_{OUT}	0.603	$V_{IN} - 0.5$	V
Output Current	I_{OUT}	0	800	mA
Operating Ambient Temperature	T_A	-40	+85	°C
Operating Junction Temperature	T_J	-40	+125	°C

Thermal Characteristics

PARAMETER	SYMBOL	TYP	UNITS
Thermal Resistance: Junction to Ambient (0 LFM)	θ_{JA}	100	°C/W
Thermal Overload Trip Point	T_{J-TP}	+150	°C
Thermal Overload Trip Point Hysteresis		15	°C

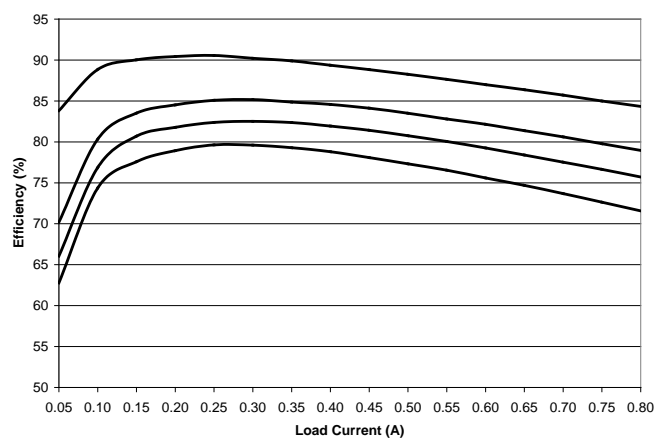
Electrical Characteristics

NOTE: $T_A = -40^\circ\text{C}$ to $+85^\circ\text{C}$ unless otherwise noted. Typical values are at $T_A = 25^\circ\text{C}$, $V_{IN} = 3.6\text{V}$. $C_{IN} = 4.7\mu\text{F}$ 0603 MLCC, $C_{OUT} = 47\mu\text{F}$ 1206 MLCC.

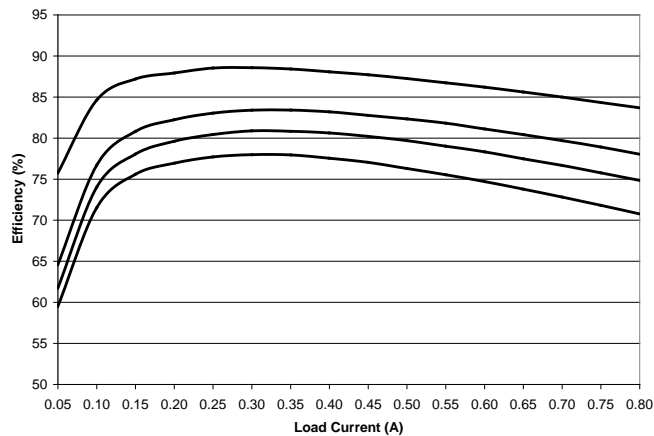
PARAMETER	SYMBOL	TEST CONDITIONS	MIN	TYP	MAX	UNITS
V_{OUT} Initial Accuracy	ΔV_{OUT_init}	$T_A = 25^\circ\text{C}$, $2.4\text{V} \leq V_{IN} \leq 5.5\text{V}$	-2%		+2%	
Line Regulation	ΔV_{OUT_line}	$2.4\text{V} \leq V_{IN} \leq 5.5\text{V}$		0.0566		%/V
Load Regulation	ΔV_{OUT_load}	$0\text{A} \leq I_{LOAD} \leq 800\text{mA}$		0.0003		%/mA
Temperature Variation	ΔV_{OUT_temp}	$-40^\circ\text{C} \leq T_A \leq +85^\circ\text{C}$		0.0078		%/°C
Overall V_{OUT} Accuracy (Line, Load, and Temperature combined)	ΔV_{OUT_all}	$2.4\text{V} \leq V_{IN} \leq 5.5\text{V}$ $-40^\circ\text{C} \leq T_A \leq +85^\circ\text{C}$ $0\text{A} \leq I_{LOAD} \leq 800\text{mA}$	-3%		+3%	
Dropout Resistance	$R_{DROPOUT}$			400	500	mΩ
Dynamic Voltage Slew Rate	V_{slew}		0.975	1.5	2.025	V/mS
Continuous Output Current	I_{OUT}	$-20^\circ\text{C} \leq T_A \leq +85^\circ\text{C}$ $-40^\circ\text{C} \leq T_A \leq +85^\circ\text{C}$	800 750			mA
Shut-Down Current	I_{SD}	Enable = Low		0.75		μA
PFET OCP Threshold	I_{LIM}			1000		mA
Feedback Pin Voltage	V_{FB}			0.603		V
Feedback Pin Input Current	I_{FB}				100	nA

PARAMETER	SYMBOL	TEST CONDITIONS	MIN	TYP	MAX	UNITS
VS0-VS1, Enable Voltage Threshold	V_{TH}	Pin = Low Pin = High	0.0 1.4		0.4 V_{IN}	
VS0-VS2 Pin Input Current	I_{VSX}			1		nA
Operating Frequency	F_{OSC}			4		MHz
PFET On Resistance	$R_{DS(ON)}$			340		$m\Omega$
NFET On Resistance	$R_{DS(ON)}$			270		$m\Omega$
Soft-Start Operation						
Soft-Start Slew Rate	V_{SS}	VID programming mode	0.975	1.5	2.025	V/mS
V_{OUT} Rise Time	T_{SS}	VFB programming mode	0.784	1.2	1.628	mS

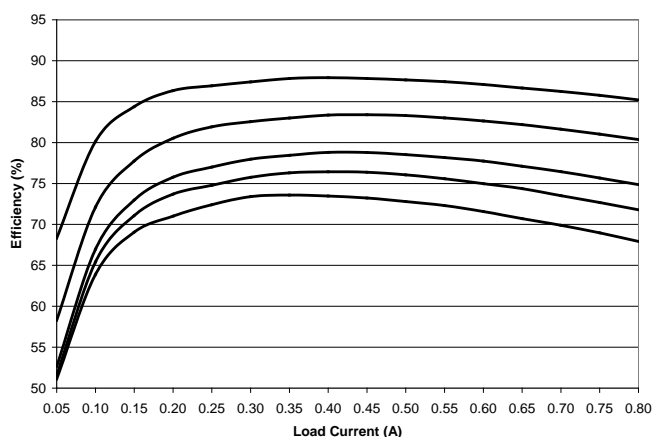
Typical Performance Characteristics



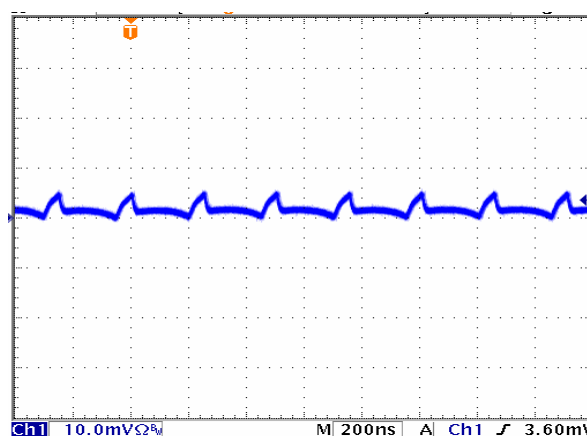
Efficiency, $V_{IN} = 3.3V$, $V_{OUT} = 1.2V, 1.5V, 1.8V, 2.5V$.



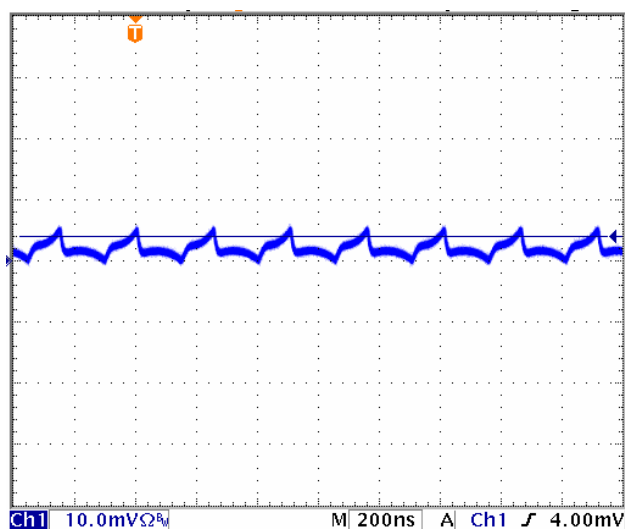
Efficiency, $V_{IN} = 3.7V$, $V_{OUT} = 1.2V, 1.5V, 1.8V, 2.5V$.



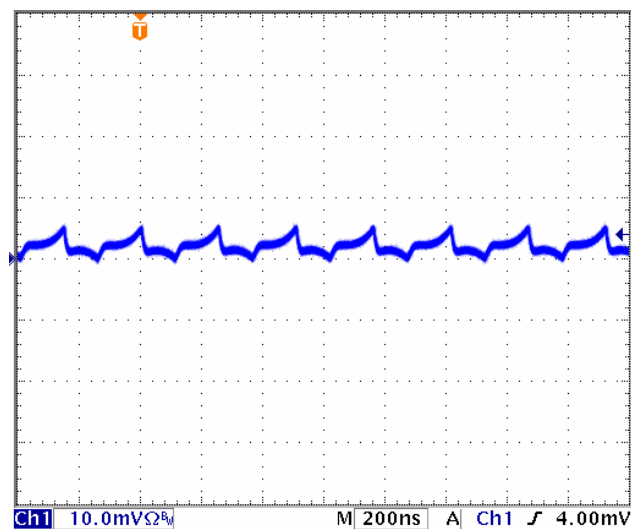
Efficiency, $V_{IN} = 5V$, $V_{OUT} = 1.2V, 1.5V, 1.8V, 2.5V, 3.3V$.



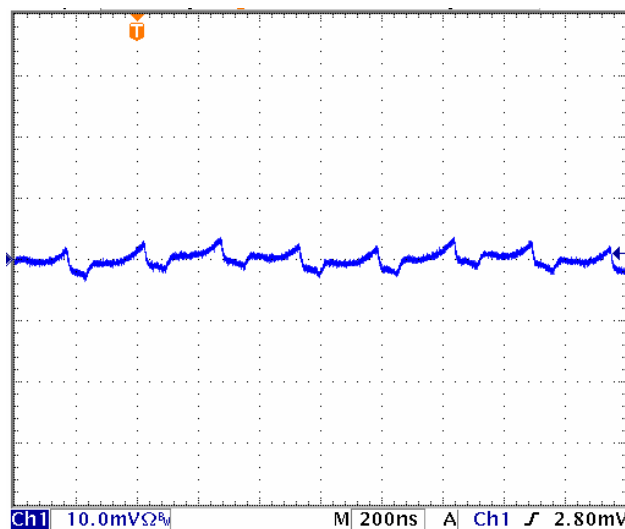
Output Ripple, $V_{IN} = 5V$, $V_{OUT} = 1.2V$; Load = 500mA.



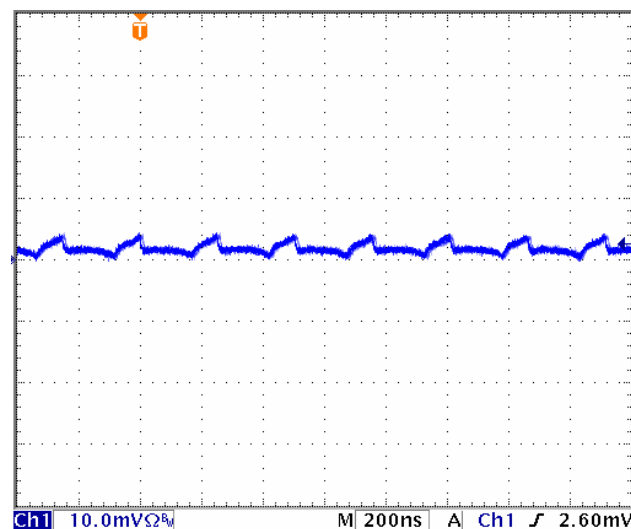
Output Ripple, $V_{IN} = 5V$, $V_{OUT} = 1.8V$; Load = 500mA.



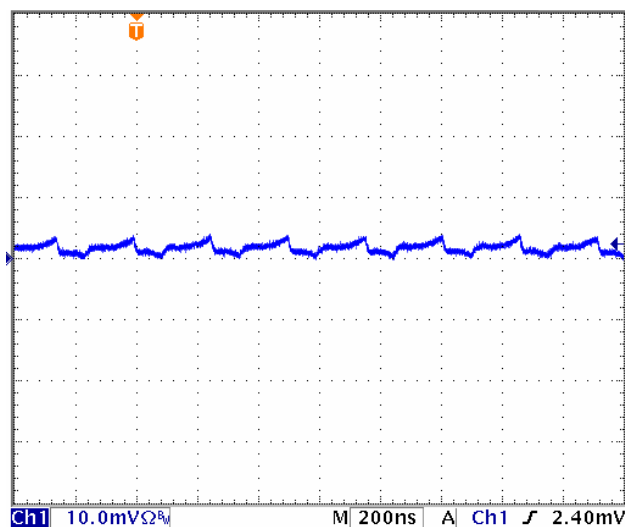
Output Ripple, $V_{IN} = 5V$, $V_{OUT} = 2.5V$; Load = 500mA.



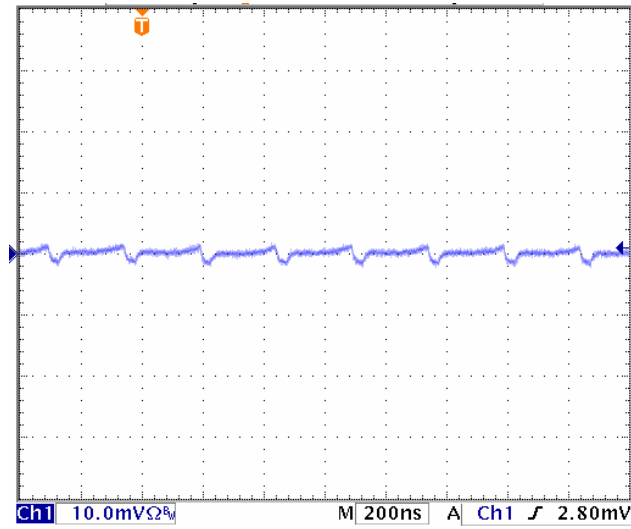
Output Ripple, $V_{IN} = 5V$, $V_{OUT} = 3.3V$; Load = 500mA.



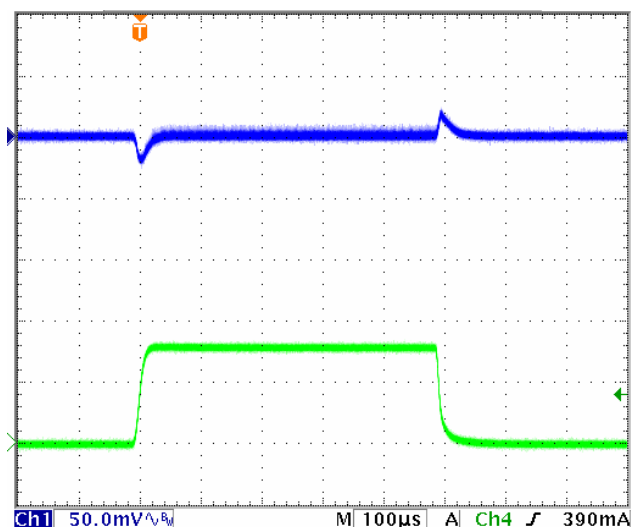
Output Ripple, $V_{IN} = 3.3V$, $V_{OUT} = 1.2V$; Load = 500mA.



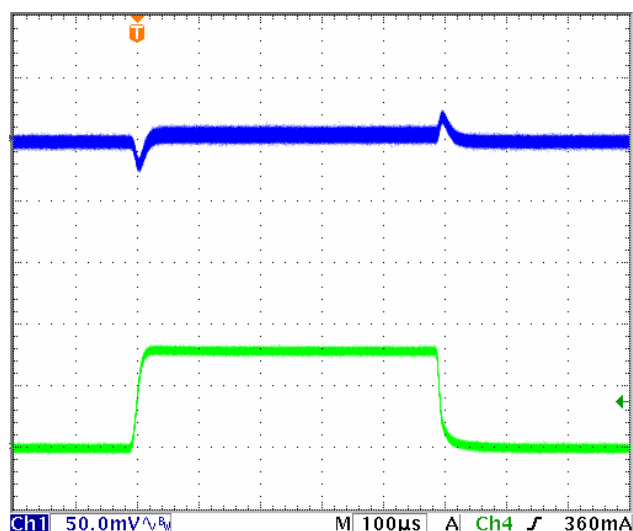
Output Ripple, $V_{IN} = 3.3V$, $V_{OUT} = 1.8V$; Load = 500mA.



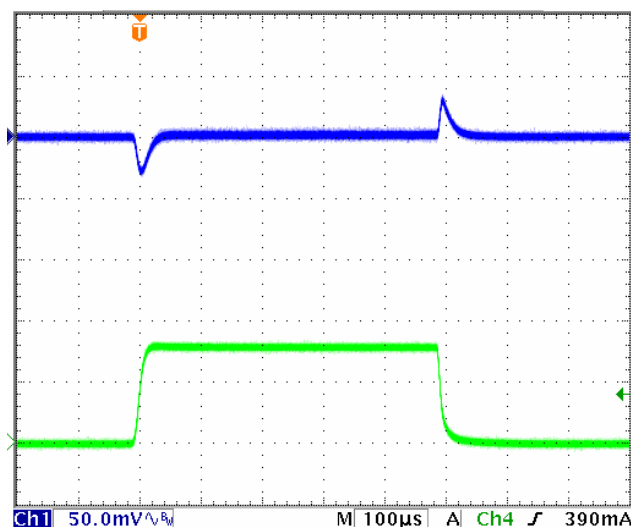
Output Ripple, $V_{IN} = 3.3V$, $V_{OUT} = 2.5V$; Load = 500mA.



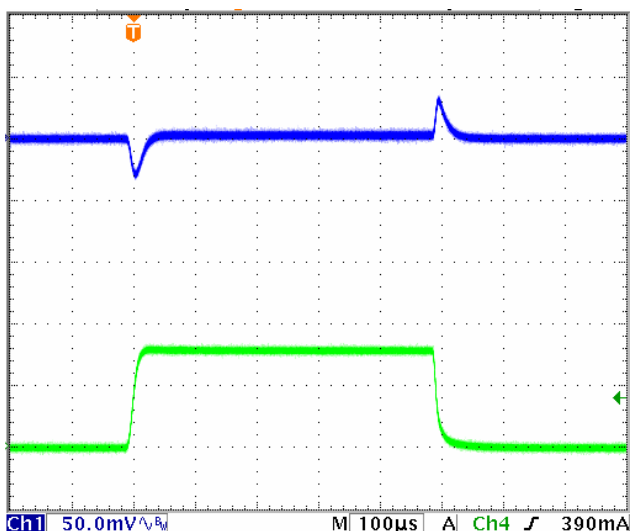
Transient, $V_{IN} = 5.0V$, $V_{OUT} = 1.2V$, Load = 0-800mA.



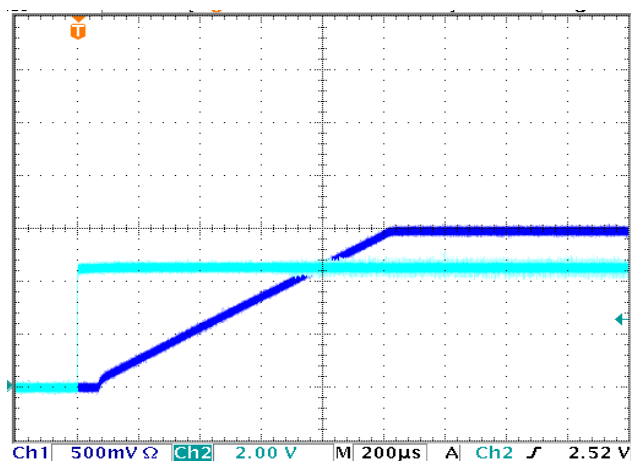
Transient, $V_{IN} = 5.0V$, $V_{OUT} = 3.3V$, Load = 0-800mA.



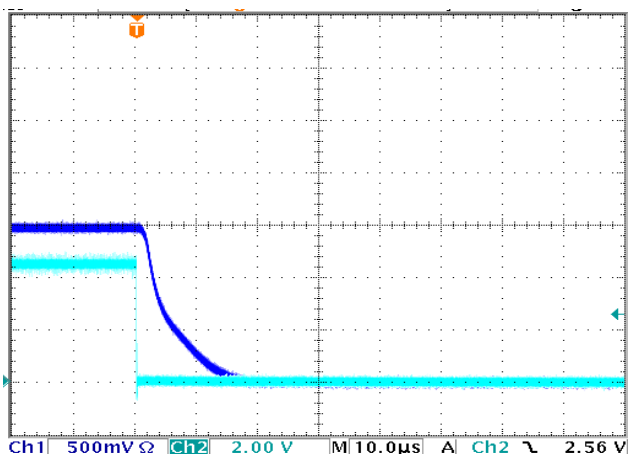
Transient, $V_{IN} = 3.3V$, $V_{OUT} = 1.2V$, Load = 0-800mA.



Transient, $V_{IN} = 3.3V$, $V_{OUT} = 1.8V$, Load = 0-800mA.



Startup, $V_{IN} = 3.6V$, $V_{OUT} = 1.5V$, Load = 500mA.
Enable in light blue; Vout in Dark blue.



Shutdown, $V_{IN} = 3.6V$, $V_{OUT} = 1.5V$, Load = 500mA.
Enable in light blue; Vout in Dark blue.

Detailed Description

Functional Overview

The EP5388QI is a complete DCDC converter solution requiring only two low cost MLCC capacitors, MOSFET switches, PWM controller, Gate-drive, compensation, and inductor are integrated into the tiny 3mm x 3mm x 1.1mm package to provide the smallest footprint possible while maintaining high efficiency, low ripple, and high performance. The converter uses voltage mode control to provide the simplest implementation and high noise immunity. The device operates at a 4MHz switching frequency. The high switching frequency allows for a wide control loop bandwidth providing excellent transient performance. The high switching frequency further enables the use of very small components making possible this unprecedented level of integration.

Altera's proprietary power MOSFET technology provides very low switching loss at frequencies of 4 MHz and higher, allowing for the use of very small internal components, and high performance. Integration of the magnetics virtually eliminates the design/layout issues normally associated with switch-mode DCDC converters. All of this enables much easier and faster incorporation into various applications to meet demanding EMI requirements.

Output voltage is chosen from seven preset values via a three pin VID voltage select scheme. An external divider option enables the selection of any voltage in V_{IN} to 0.6V range. This reduces the number of components that must be qualified and reduces inventory burden. The VID pins can be toggled on the fly to implement glitch free dynamic voltage scaling.

Protection features include under-voltage lock-out (UVLO), over-current protection (OCP), short circuit protection, and thermal overload protection.

Integrated Inductor

Altera has introduced the world's first product family featuring integrated inductors. The EP5388QI utilizes a proprietary low loss integrated inductor. The use of an internal inductor localizes the noises associated with the output loop currents. The inherent shielding and compact construction of the integrated inductor reduces the radiated noise that couples into the traces of the circuit board. Further, the package layout is optimized to reduce the electrical path length for the AC ripple currents that are a major source of radiated emissions from DCDC converters. The integrated inductor significantly reduces parasitic effects that can harm loop stability, and makes layout very simple.

Stable Over Wide Range of Operating Conditions

The EP5388QI utilizes an internal type III compensation network and is designed to provide a high degree of stability over a wide range of operating conditions. The device operates over the entire input and output voltage range with no external modifications required. The very high switching frequency allows for a very wide control loop bandwidth.

Soft Start

Internal soft start circuits limit in-rush current when the device starts up from a power down condition or when the "ENABLE" pin is asserted "high". Digital control circuitry limits the V_{OUT} ramp rate to levels that are safe for the Power MOSFETS and the integrated inductor.

The EP5388QI has two soft start operating modes. When V_{OUT} is programmed using a preset voltage in VID mode, the device has a constant slew rate. When the EP5388QI is configured in external resistor divider mode, the device has a constant V_{OUT} ramp time.

Output voltage slew rate and ramp time is given in the Electrical Characteristics Table.

Excess bulk capacitance on the output of the device can cause an over-current condition at startup.

When operating in VID mode, the maximum total capacitance on the output, including the output filter capacitor and bulk and decoupling capacitance, at the load, is given as:

$$C_{OUT_TOTAL_MAX} = C_{OUT_Filter} + C_{OUT_BULK} = 700\mu F$$

When the EP5388QI output voltage is programmed using an external resistor divider the maximum total capacitance on the output is given as:

$$C_{OUT_TOTAL_MAX} = 1.251 \times 10^{-3} / V_{OUT} \text{ Farads}$$

The above number and formula assume a no load condition at startup.

Over Current/Short Circuit Protection

The current limit function is achieved by sensing the current flowing through a sense P-MOSFET which is compared to a reference current. When this level is exceeded the P-FET is turned off and the N-FET is turned on, pulling V_{OUT} low. This condition is maintained for a period of 1mS and then a normal soft start is initiated. If the over current condition still

persists, this cycle will repeat in a “hiccup” mode.

Under Voltage Lockout

During initial power up an under voltage lockout circuit will hold-off the switching circuitry until the input voltage reaches a sufficient level to insure proper operation. If the voltage drops below the UVLO threshold the lockout circuitry will again disable the switching. Hysteresis is included to prevent chattering between states.

Enable

The ENABLE pin provides a means to shut down the converter or enable normal operation. A logic low will disable the converter and cause it to shut down. A logic high will enable the converter into normal operation. In shutdown mode, the device quiescent current will be less than 1 μA .

NOTE: This pin must not be left floating.

Thermal Shutdown

When excessive power is dissipated in the chip, the junction temperature rises. Once the junction temperature exceeds the thermal shutdown temperature the thermal shutdown circuit turns off the converter output voltage thus allowing the device to cool. When the junction temperature decreases by 15C°, the device will go through the normal startup process.

Application Information

Output Voltage Select

To provide the highest degree of flexibility in choosing output voltage, the EP5388QI uses a 3 pin VID, or Voltage ID, output voltage select arrangement. This allows the designer to choose one of seven preset voltages, or to use an external voltage divider. Internally, the output of the VID multiplexer sets the value for the voltage reference DAC, which in turn is connected to the non-inverting input of the error amplifier. This allows the use of a single

feedback divider with constant loop gain and optimum compensation, independent of the output voltage selected.

Table 1 shows the various VS0-VS2 pin logic states and the associated output voltage levels. A logic “1” indicates a connection to V_{IN} or to a “high” logic voltage level. A logic “0” indicates a connection to ground or to a “low” logic voltage level. These pins can be either hardwired to V_{IN} or GND or alternatively can be driven by standard logic levels. Logic low is

defined as $V_{LOW} \leq 0.4V$. Logic high is defined as $V_{HIGH} \geq 1.4V$. Any level between these two values is indeterminate. These pins must not be left floating.

Table 1. VID voltage select settings.

VS2	VS1	VS0	V _{OUT}
0	0	0	3.3V
0	0	1	2.5V
0	1	0	1.8V
0	1	1	1.5V
1	0	0	1.25V
1	0	1	1.2V
1	1	0	0.8V
1	1	1	User Selectable

External Voltage Divider

As described above, the external voltage divider option is chosen by connecting the VS0, VS1, and VS2 pins to VIN or logic “high”. The EP5388QI uses a separate feedback pin, V_{FB}, when using the external divider. V_{SENSE} must be connected to V_{OUT} as indicated in Figure 4.

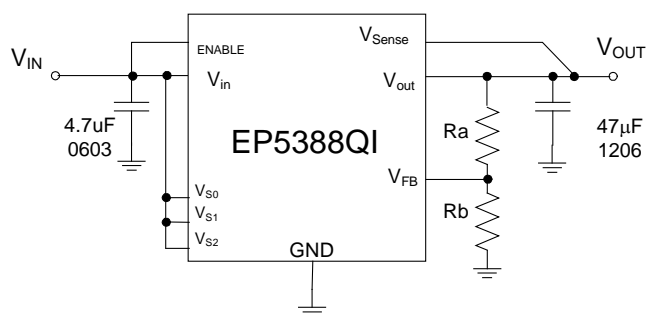


Figure 4. External Divider application circuit.

The output voltage is selected by the following formula:

$$V_{OUT} = 0.603V \left(1 + \frac{R_a}{R_b} \right)$$

R_a must be chosen as 200K Ω to maintain loop gain. Then R_b is given as:

$$R_b = \frac{1.206 \times 10^5}{V_{OUT} - 0.603} \Omega$$

V_{OUT} can be programmed over the range of 0.6V to V_{IN}-0.5V.

Dynamically Adjustable Output

The EP5388QI is designed to allow for dynamic switching between the predefined VID voltage levels. The inter-voltage slew rate is optimized to prevent excess undershoot or overshoot as the output voltage levels transition. The slew rate is identical to the soft-start slew rate of 1.5V/mS.

Dynamic transitioning between internal VID settings and the external divider is not allowed.

Power-Up/Down Sequencing

During power-up, ENABLE should not be asserted before VIN. During power down, the VIN should not be powered down before the ENABLE. Tying PVIN and ENABLE together during power-up or power-down meets this requirement.

Pre-Bias Start-up

The EP5388QI does not support startup into a pre-biased condition. Be sure the output capacitors are not charged or the output of the EP5388QI is not pre-biased when the EP5388QI is first enabled.

Input and Output Capacitors

The **input** capacitance requirement is 4.7uF 0603 MLCC. Altera recommends that a low ESR MLCC capacitor be used. The input capacitor must use a X5R or X7R or equivalent dielectric formulation. Y5V or equivalent dielectric formulations lose capacitance with frequency, bias, and with temperature, and are not suitable for switch-mode DC-DC converter input filter applications.

A variety of **output** capacitor configurations are possible depending on footprint and ripple requirements. For applications where V_{IN} range is up to 5.5V, it is recommended to use a single 47uF 1206 MLCC capacitor. Ripple performance can be improved by using 2 x 22uF 0805 MLCC capacitors.

mode DC-DC converter output filter applications.

A single 10 μ F 0805 MLCC can be used if V_{OUT} programming is accomplished using an external divider, with the addition of a 10pF phase lead capacitor as shown in Figure 5. Note that in this configuration, V_{SENSE} should NOT be connected to V_{OUT} .

As described in the Soft Start section, there is a limitation on the maximum bulk capacitance that can be placed on the output of this device. Please refer to that section for more details.

The output capacitor must use a X5R or X7R or equivalent dielectric formulation. Y5V or equivalent dielectric formulations lose capacitance with frequency, bias, and temperature and are not suitable for switch-

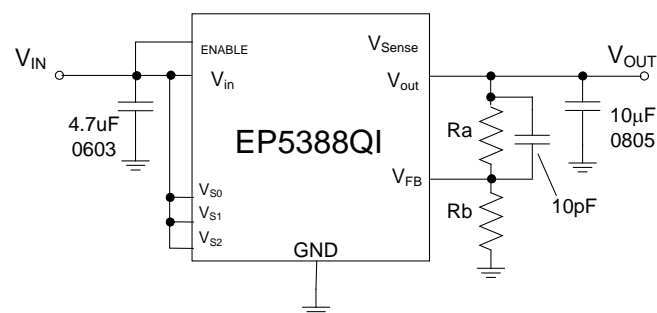


Figure 5. Applications circuit for $C_{OUT} = 1 \times 10\mu\text{F}$ 0805.

Layout Considerations*

*Optimized PCB layout file is downloadable from the Altera website to assure first pass design success.

Refer to figure 6 for the following layout recommendations.

Recommendation 1: The input and output filter capacitors should be placed as close to the EP5388QI as possible to reduce EMI from input and output loop AC currents. This reduces the physical area of these AC current loops.

Recommendation 2: The system ground plane should be the first layer immediately below the surface layer (PCB layer 2). If it is not possible to make PCB layer 2 the system ground plane, a local ground island should be created on PCB layer 2 under the Altera Enpirion device and including the area under the input and output filter capacitors. This ground plane, or ground island, should be continuous and uninterrupted underneath the Altera Enpirion device and the input and output filter capacitors.

Recommendation 3: The surface layer ground pour should include a “slit” as shown in

figure 6 to separate the input and output AC loop currents. This will help reduce noise coupling from the input current loop to the output current loop.

Recommendation 4: Multiple small vias (approximately 0.25mm finished diameter) should be used to connect the ground terminals of the input and output capacitors, and the surface ground pour under the device, to the system ground plane. If a local ground island is used on PCB layer 2, the vias should connect to the ground island and continue down to the PCB system ground plane.

Recommendation 5: The AGND pin should be connected to the system ground plane using a via as described in recommendation 4. AGND must NOT be connected to the surface layer ground pour.

Recommendation 6: As with any switch-mode DC-DC converter, do not run any sensitive signal or control lines under the converter package.

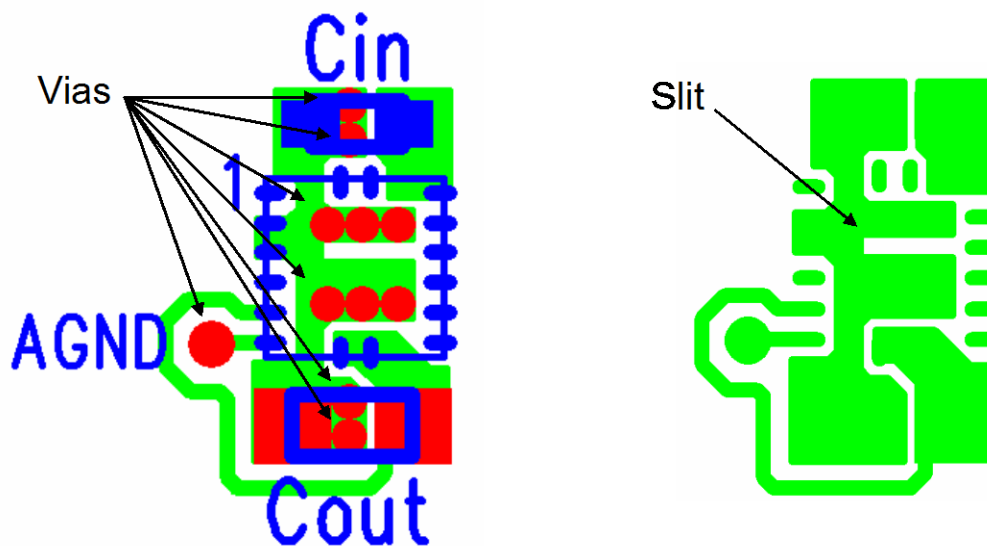


Figure 6. PCB layout recommendation.

Recommended PCB Footprint

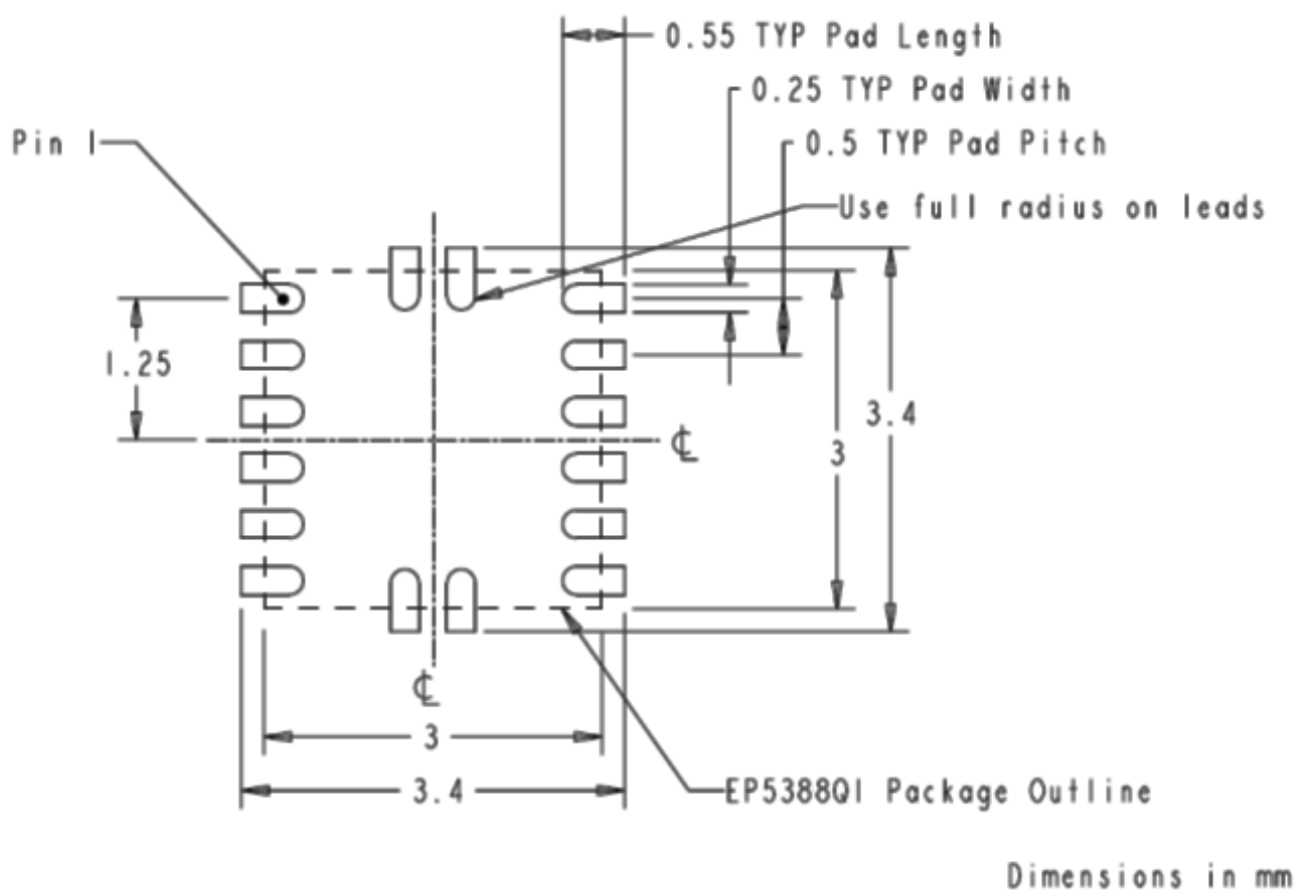


Figure 7. Recommended PCB Footprint.

Package Dimensions

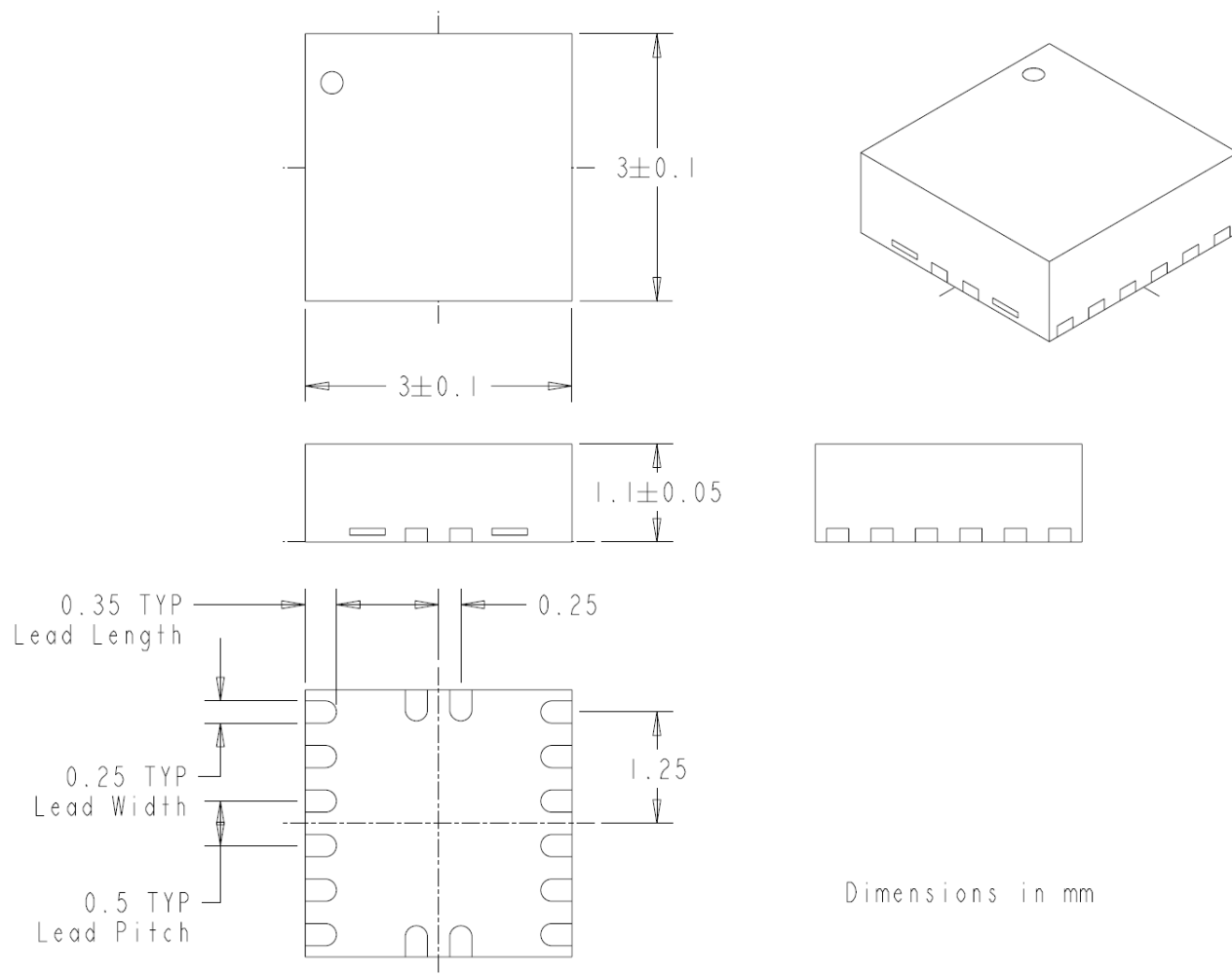


Figure 8. EP5388QI Package Dimensions.

Contact Information

Altera Corporation
 101 Innovation Drive
 San Jose, CA 95134
 Phone: 408-544-7000
www.altera.com

© 2013 Altera Corporation—Confidential. All rights reserved. ALTERA, ARRIA, CYCLONE, ENPIRION, HARDCOPY, MAX, MEGACORE, NIOS, QUARTUS and STRATIX words and logos are trademarks of Altera Corporation and registered in the U.S. Patent and Trademark Office and in other countries. All other words and logos identified as trademarks or service marks are the property of their respective holders as described at www.altera.com/common/legal.html. Altera warrants performance of its semiconductor products to current specifications in accordance with Altera's standard warranty, but reserves the right to make changes to any products and services at any time without notice. Altera assumes no responsibility or liability arising out of the application or use of any information, product, or service described herein except as expressly agreed to in writing by Altera. Altera customers are advised to obtain the latest version of device specifications before relying on any published information and before placing orders for products or services.