

MHz RANGE CRYSTAL UNIT



Product Number (please contact us)  
Q22MA3062xxxx00

MA-306

- Frequency range : 14.31818 MHz, 17.734 MHz to 41 MHz
- External dimensions : 8.0 × 3.8 × 2.54 mm
- Overtone order : Fundamental
- Applications : For Clock of integrated circuit



Actual size



Specifications (characteristics)

Item	Symbol	Specifications	Conditions / Remarks
Nominal frequency range	f_nom	14.31818 MHz, 17.734 MHz to 41.000 MHz	Fundamental
Storage temperature	T_stg	-55 °C to +100 °C	Storage as single product.
Operating temperature	T_use	-20 °C to +70 °C	
Level of drive	DL	10 μW to 100 μW	
Frequency tolerance (standard)	f_tol	±50 × 10 <sup>-6</sup>	+25 °C
Frequency versus temperature characteristics (standard)	f_tem	±30 × 10 <sup>-6</sup>	-20 °C to +70 °C Please contact us for requirements not listed in this specifications.
Load capacitance	CL	10 pF to ∞	Please specify
Motional resistance (ESR)	R <sub>1</sub>	60 Ω Max.	-20 °C to +70 °C, DL=100 μW
Frequency aging	f_age	±5 × 10 <sup>-6</sup> / year Max.	+25 °C, First year

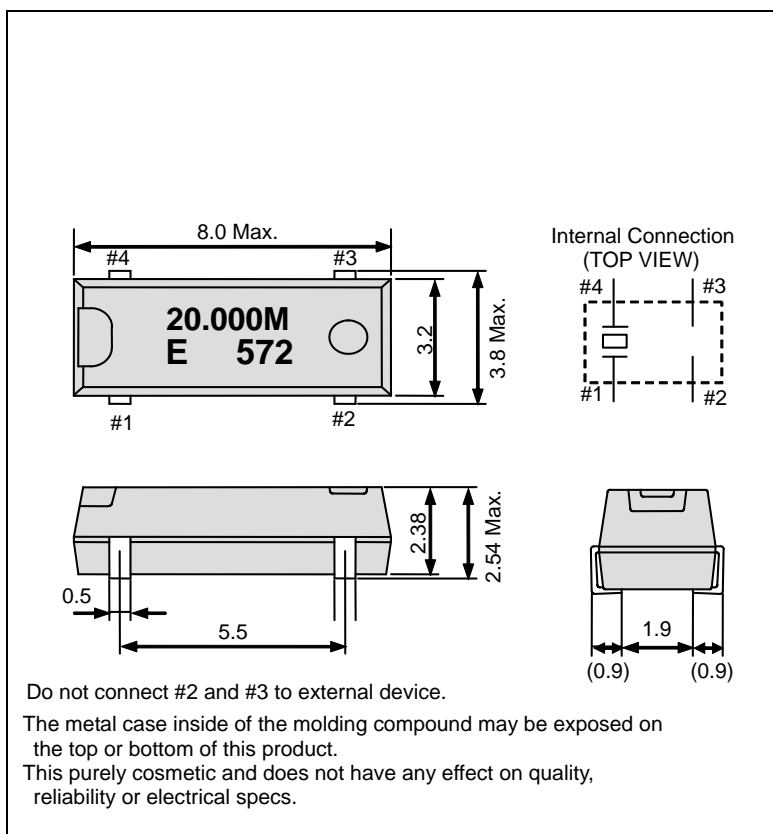
Product name (Standard form) MA-306 ① 24.000000MHz ② 12.0 ③ +10.0-10.0 ④

①Model ②Frequency ③Load capacitance(pF) ④Frequency tolerance(× 10<sup>-6</sup>, +25 °C)

In addition to the above mentioned specification item, please specify frequency temperature characteristics and operating temperature range in case of inquiry.

External dimensions

(Unit:mm)



Footprint (Recommended)

(Unit:mm)

