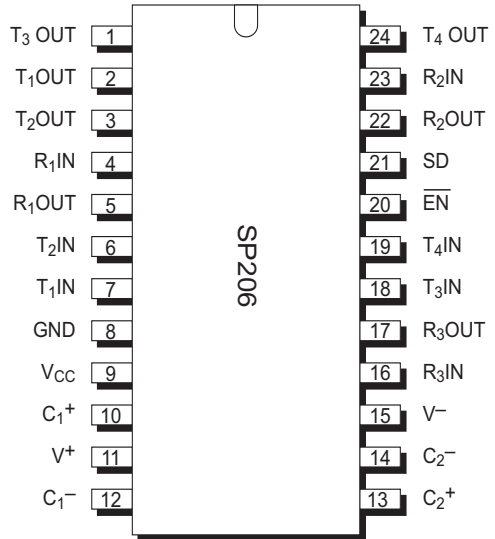




+5V RS-232 Serial Transceivers

FEATURES

- 0.1µF External Charge Pump Capacitors
- 120kbps Data Rate
- Standard SOIC and SSOP Packaging
- Multiple Drivers and Receivers
- Single 5V Supply Operation
- 1.0µA Shutdown Mode
- Tri-State Receiver Outputs
- Meets all RS-232F and V.28 Specifications
- Improved Driver Output Capacity for Mouse Applications
- +/-10kV ESD Protection*



Now Available in Lead Free Packaging

Note: See page 4 for other pinouts

DESCRIPTION

The SP206, SP207, SP208 and SP211 are multi-channel RS-232 line transceivers in a variety of configurations to fit most communication needs. All models in this series feature low-power CMOS construction and Exar Patented (5,306,954) on-board charge pump circuitry to generate the +/-10V RS-232 voltage levels, using 0.1µF charge pump capacitors to save board space and reduce circuit cost. The SP206 and SP211 models feature a low-power shutdown mode which reduces power supply drain to 1 µA.

| Model | Number of RS-232 | | No. of RX active in Shutdown | No. of External 0.1µF Capacitors | Shutdown | WakeUp | TTL Tri-State |
|-------|------------------|-----------|------------------------------|----------------------------------|----------|--------|---------------|
| | Drivers | Receivers | | | | | |
| SP206 | 4 | 3 | 0 | 4 | Yes | No | Yes |
| SP207 | 5 | 3 | 0 | 4 | No | No | No |
| SP208 | 4 | 4 | 0 | 4 | No | No | No |
| SP211 | 4 | 5 | 0 | 4 | Yes | No | Yes |

Table 1. Mode Selection Table

* All Driver Outputs and Receiver Inputs characterized per MIL-STD-883C Method 3015.7

ABSOLUTE MAXIMUM RATINGS

These are stress ratings only and functional operation of the device at these ratings or any other above those indicated in the operation sections of the specifications below are not implied. Exposure to absolute maximum ratings conditions for extended periods of time may affect reliability.

Supply Voltage (V_{CC}).....+ 6V
 $V+$ ($V_{CC}-0.3V$) to +13.2V
 $V-$-13.2V
Input Voltages
 T_{in}-0.3V to ($V_{CC} + 0.3V$)
 R_{in}+/-20V
Output Voltages
 T_{out}($V+$, +0.3V) to ($V-$, -0.3V)
 R_{out}-0.3V to ($V_{CC} + 0.3V$)
 Short Circuit duration on T_{out}Continuous

Package Power Dissipation:

24-pin SSOP
 (derate 11.2mW/°C above +70°C.....900mW
 24-pin WSOIC
 (derate 12.5mW/°C above +70°C.....1000mW
 28-pin SSOP
 (derate 11.2mW/°C above +70°C.....900mW
 28-pin WSOIC
 (derate 12.7mW/°C above +70°C.....1000mW

Storage Temperature.....-65°C to +150°C
 Lead Temperature (soldering, 10s)..... +300°C

ELECTRICAL CHARACTERISTICS

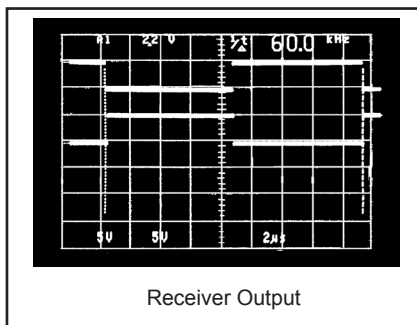
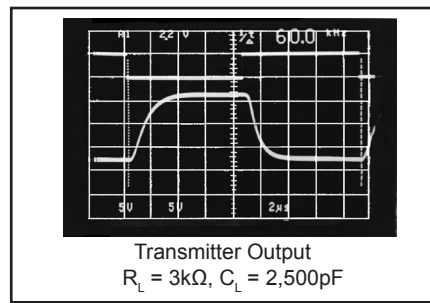
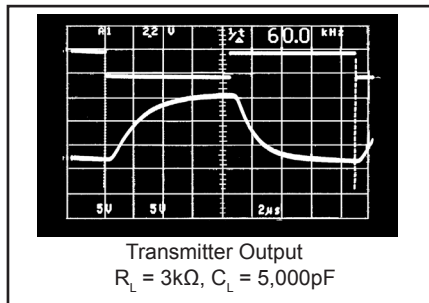
$V_{CC} = 5V$, C_1 to $C_4 = 0.1\mu F$, T_{MIN} to T_{MAX} , unless otherwise noted.

| PARAMETER | TEST CONDITIONS | MIN | TYP | MAX | UNIT |
|--------------------------------|---|--------|-------|-------|------------|
| TTL INPUT | | | | | |
| Logic Threshold LOW, V_{IL} | $T_{IN}, \overline{EN}, SD$ | | | 0.8 | Volts |
| Logic Threshold HIGH, V_{IH} | $T_{IN}, \overline{EN}, SD$ | 2.0 | | | Volts |
| Logic Pull-Up Current | $T_{IN} = 0V$ | | 15 | 200 | μA |
| Maximum Data Rate | $C_L = 2500pF, R_L = 3k\Omega$ | 120 | | | kbps |
| TTL OUTPUT | | | | | |
| Output Voltage LOW, V_{OL} | $I_{OUT} = 3.2mA; V_{CC} = +5V$ | | | 0.4 | Volts |
| Output Voltage HIGH, V_{OH} | $I_{OUT} = -1.0mA$ | 3.5 | | | Volts |
| Leakage Current | $\overline{EN} = V_{CC}, 0V \leq V_{OUT} \leq V_{CC}$ $T_A = 25^\circ C$ | | 0.05 | +/-10 | μA |
| RS-232 OUTPUT | | | | | |
| Output Voltage Swing | All Transmitter outputs loaded with 3k ohms to GND | +/-5.0 | +/-7 | | Volts |
| Output Resistance | $V_{CC} = 0V, V_{out} = +/-2V$ | 300 | | | Ohms |
| Output Short Circuit Current | Infinite Duration | | +/-25 | | mA |
| RS-232 INPUT | | | | | |
| Voltage Range | | -15 | | +15 | Volts |
| Voltage Threshold LOW | $V_{CC} = 5V, T_A = 25^\circ C$ | 0.8 | 1.2 | | Volts |
| Voltage Threshold HIGH | $V_{CC} = 5V, T_A = 25^\circ C$ | | 1.7 | 2.4 | Volts |
| Hysteresis | $V_{CC} = 5V$ | 0.2 | 0.5 | 1.0 | Volts |
| Resistance | $T_A = 25^\circ C, -15V \leq V_{IN} \leq +15V$ | 3 | 5 | 7 | k Ω |

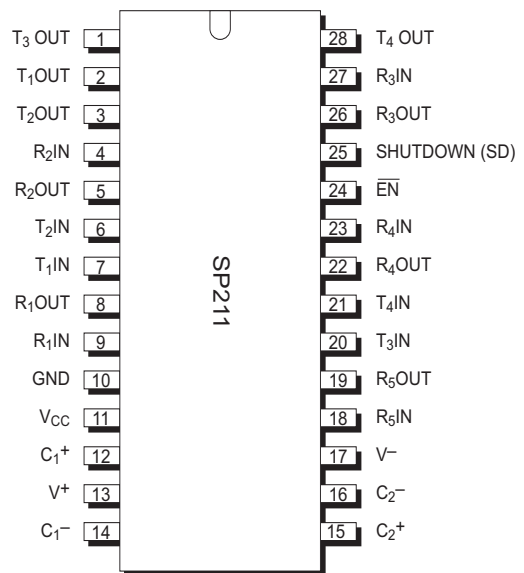
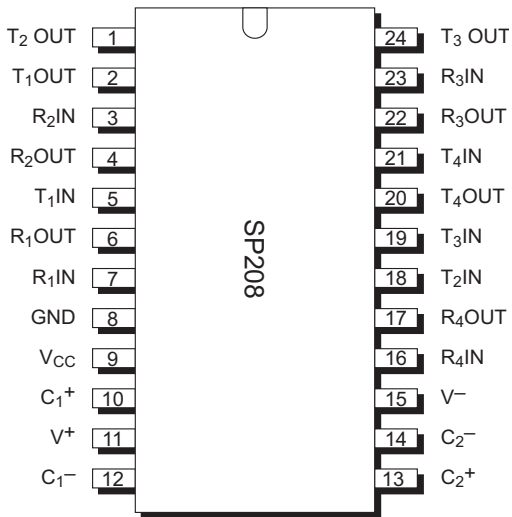
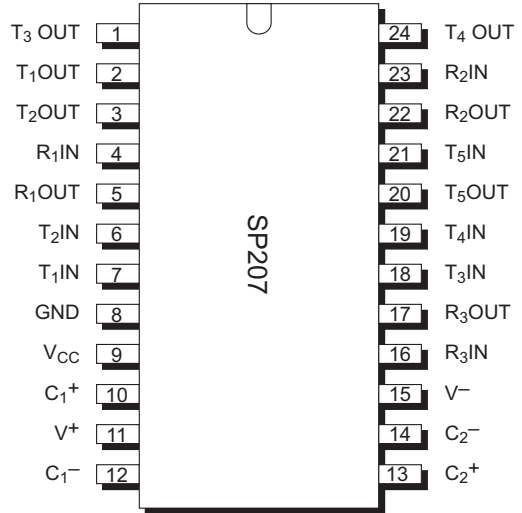
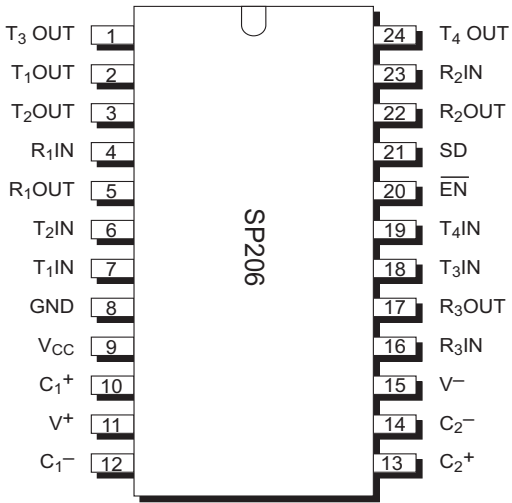
ELECTRICAL CHARACTERISTICS

V_{CC} = 5.0V, C₁ to C₄ = 0.1μF, T_{MIN} to T_{MAX}, unless otherwise noted.

| Parameter | TEST CONDITIONS | MIN | TYP | MAX | Unit |
|--|---|------|------|------|-------|
| DYNAMIC CHARACTERISTICS | | | | | |
| Receiver Propagation Delay | RS-232 to TTL, | | 1.5 | | μs |
| Instantaneous Slew Rate | C _L = 50pF, R _L = 3-7kΩ, T _A =25°C | | | 30 | V/ μs |
| Transition Region Slew Rate | C _L = 2500pF, R _L = 3kΩ; Measured from +3V to -3V or -3V to +3V | | 5 | | V/ μs |
| Output Enable Time | | | 400 | | ns |
| Output Disable Time | | | 250 | | ns |
| POWER REQUIREMENTS | | | | | |
| V _{CC} (SP207) | | 4.75 | 5.00 | 5.25 | Volts |
| V _{CC} (SP206, SP208 and SP211) | | 4.50 | 5.00 | 5.5 | Volts |
| V _{CC} Power Supply Current | No Load, V _{CC} = +/-10%, T _A =25°C | | 4 | 10 | mA |
| V _{CC} Power Supply Current, Loaded | All Transmitters R _L = 3kΩ, T _A =25°C | | 20 | | mA |
| Shutdown Supply Current | T _A =25°C | | 1 | 10 | μA |
| ENVIRONMENTAL AND MECHANICAL | | | | | |
| Operating Temperature, Commercial, _C | | 0 | | +70 | °C |
| Operating Temperature, Extended, _E | | -40 | | +85 | °C |
| Storage Temperature | | -65 | | +150 | °C |
| Package _A | Shrink (SSOP) small outline | | | | |
| Package _T | Wide (SOIC) small outline | | | | |



PACKAGE PINOUTS



FEATURES

The SP206/207/208/211 multi-channel RS-232 line transceivers provide a variety of configurations to fit most communication needs, especially those applications where +/-12V is not available. All models in this series feature low-power CMOS construction and Exar's proprietary on-board charge pump circuitry to generate the +/-10V RS-232 voltage levels. The ability to use 0.1 μ F charge pump capacitors saves board space and reduces circuit cost. Different models within the series provide different driver/receiver combinations to match any application requirement.

The SP206 and SP211 models feature a low-power shutdown mode that reduces power supply drain to 1 μ A.

The models in this series are available in 24-pin and 28-pin SO (wide) and SSOP (shrink) small outline packages. Devices can be specified for commercial (0°C to +70°C) or industrial/extended (-40°C to +85°C) operating temperatures.

THEORY OF OPERATION

CHARGE PUMP

The charge pump is an Exar patented design and uses a unique approach compared to older less-efficient designs. The charge pump still requires four external capacitors, but uses a four phase voltage shifting technique to attain symmetrical +/-10V power supplies. Figure 1a shows the waveform found on the positive side of capacitor C2 and Figure 3b shows the negative side of capacitor C2. There is a free-running oscillator that controls the four phases of the voltage shifting. A description of each phase follows:

PHASE 1

Vss charge storage - During this phase of the clock cycle, the positive side of capacitors C1 and C2 are initially charged to +5V. C1+ is then switched to ground and the charge in C1- is transferred to C2-. Since C2+ is connected to +5V, the voltage potential across capacitor C2 is now 10V.

PHASE 2

Vss transfer: Phase two of the clock connects the negative terminal of C2 to the Vss storage capacitor and the positive terminal of C2 to ground, and transfers the generated -10V to C3. Simultaneously, the positive side of capacitor C1 is switched to +5V and the negative side is connected to ground.

PHASE 3

Vdd charge storage: The third phase of the clock is identical to the first phase. The charge transferred in C1 produces -5V in the negative terminal of C1, which is applied to the negative side of C2. Since C2+ is at +5V, the voltage potential across C2 is 10V.

PHASE 4

Vdd transfer: The fourth phase of the clock connects the negative terminal of C2 to ground, and transfers the generated 10V across C2 to C4, the Vdd storage capacitor. Again, simultaneously with this, the positive side of capacitor C1 is switched to +5V and the negative side is connected to ground, and the cycle begins again.

Since both V+ and V- are separately generated from Vcc; in a no-load condition V+ and V- will be symmetrical. Older charge pump approaches that generate V- from V+ will show a decrease in magnitude of V- compared to V+ due to the inherent inefficiencies in the design.

The clock rate for the charge pump typically operates at greater than 15kHz allowing the pump to run efficiently with small 0.1 μ F capacitors with a 16V breakdown voltage rating.

The SP206/207/208/211 devices are made up of three basic circuit blocks - 1) transmitter/driver, 2) receiver and 3) charge pump. Each model within the series incorporates variations of these circuit to achieve the desired configuration and performance.

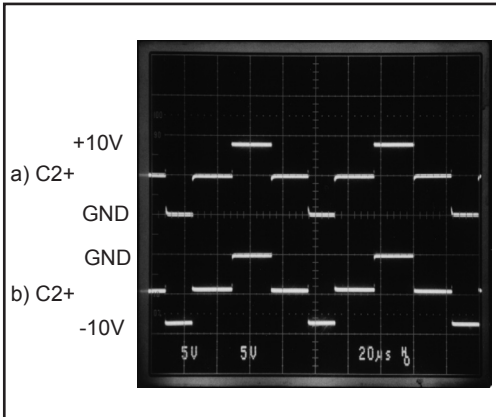


Figure 1. Charge Pump Waveforms

TRANSMITTER/DRIVER

The drivers are inverting transmitters, which accept either TTL or CMOS inputs and output the RS-232 output signals with an inverted sense relative to the input logic levels. Typically, the RS-232 output voltage swing is +/-9V with no load, and +/-5V minimum with full load. The transmitter outputs are protected against infinite short-circuits to ground without degradation in reliability. The drivers of the SP206 and SP211 can be tri-stated by using the SHUTDOWN function.

In the "power off" state, the output impedance will remain greater than 300 Ohms, again satisfying the RS-232 specifications. Should the input of the driver be left open, an internal 400kOhm pull-up resistor to V_{CC} forces the input high, thus committing the output to a low state. The slew rate of the transmitter output is internally limited to a maximum of $30V/\mu s$ in order to meet the EIA standards (EIA RS-232D 2,1,7, Paragraph 5). The transition of the loaded output from high to low also meets the monotonicity requirements of the standard.

RECEIVERS

The receivers convert RS-232 input signals to inverted TTL signals. Since the input is usually from a transmission line where long cable length and system interference can degrade the signal, the inputs have a typical hysteresis margin of 500mV. This ensures that the receiver is virtually immune to noisy transmission lines. Should an input be left unconnected, an internal 5kohm pull-down resistor to ground will commit the output of the receiver to a HIGH state.

SHUTDOWN MODE

The SP206 and SP211 feature a control input (SD) which will disable the device and reduce the power supply current to less than $10\mu A$, making the parts ideal for battery-powered systems. In the "shutdown" mode the receivers and transmitters will both be tri-stated. The V^+ output of the charge pump will discharge to V_{CC} and the V^- output will discharge to ground.

ENABLE (\overline{EN})

The SP206 and SP211 feature an enable input which allows the receiver outputs to be either tri-stated or enabled. This can be especially useful when the receiver is tied directly to a microprocessor data bus. The enable pin is active high.

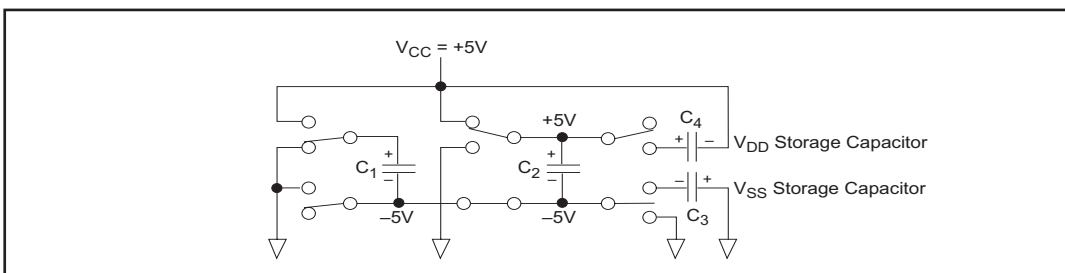


Figure 2, Charge pump - Phase 1

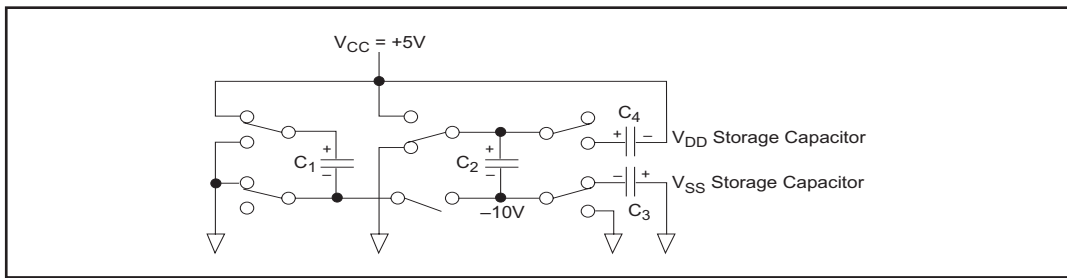


Figure 3, Charge pump - Phase 2

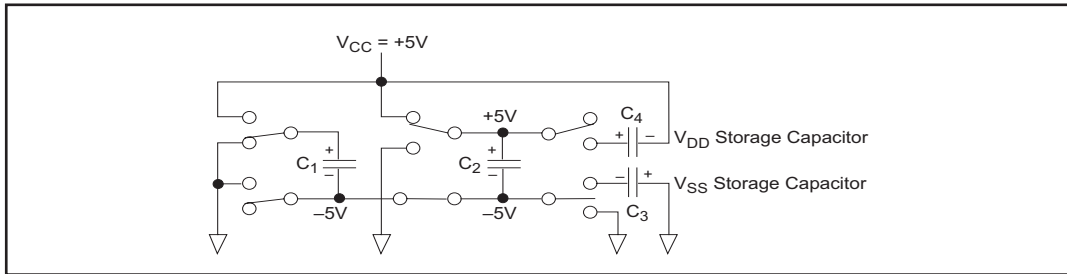


Figure 4, Charge pump - Phase 3

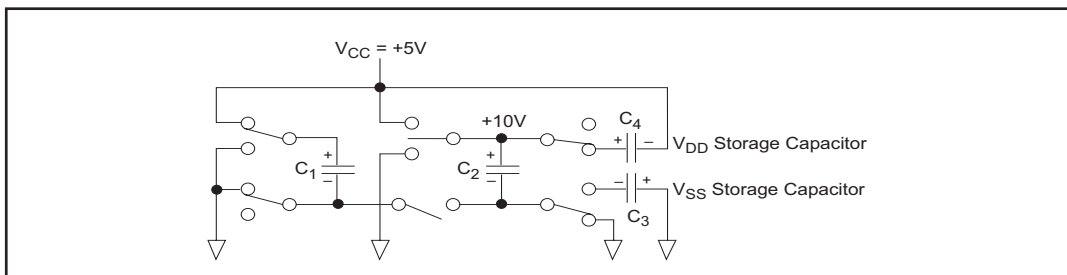


Figure 5, Charge pump - Phase 4

EIA STANDARDS

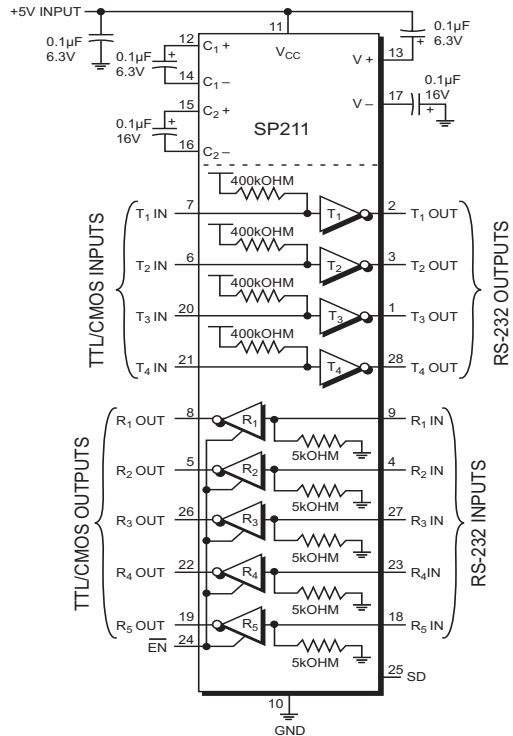
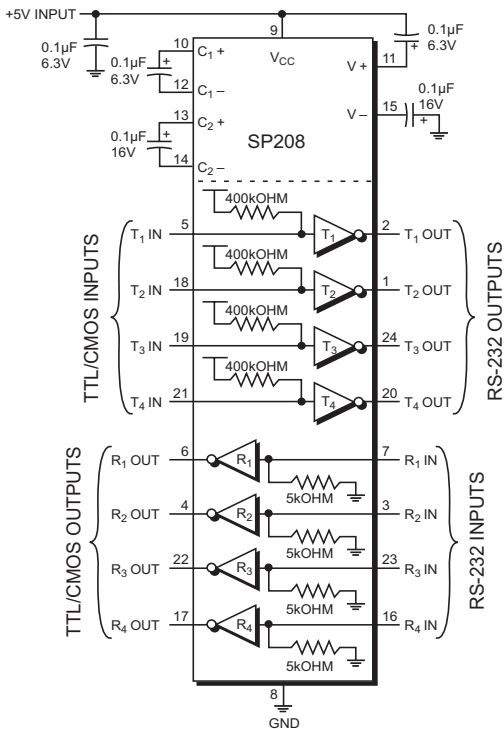
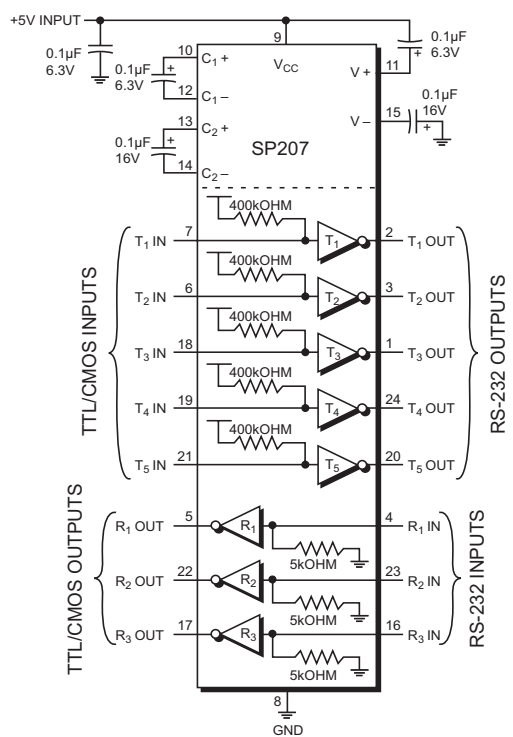
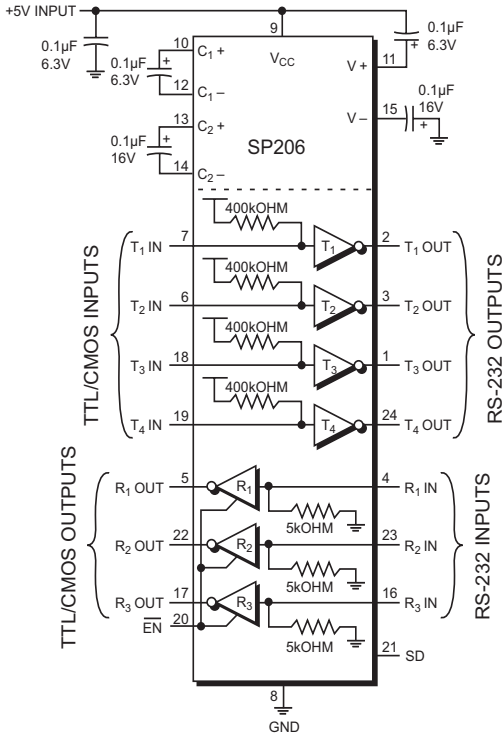
The Electronic Industry Association (EIA) developed several standards of data transmission which are revised and updated in order to meet the requirements of the industry. In data processing, there are two basic means of communicating between systems and components. The RS-232 standard was first introduced in 1962 and, since that time, has become an industry standard.

The RS-232 is a relatively slow data exchange protocol, with a maximum baud rate of only 20kbaud, which can be transmitted over a maximum copper wire cable length of 50 feet. The SP206 through SP211 series of data communications interface products have been designed to meet both the EIA protocol standards, and the needs of the industry.

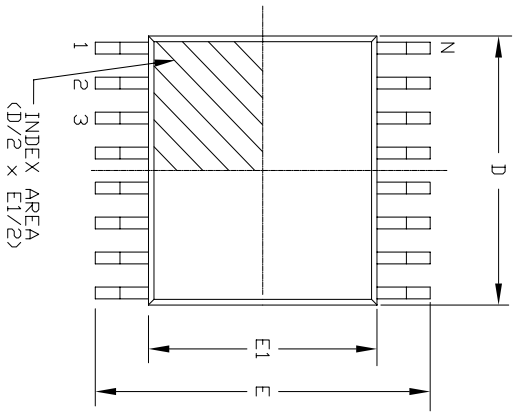
+/-10kV ESD PROTECTION

The SP206/207/208/211 are equipped with Exar proprietary ESD protection circuitry on all RS-232 inputs and outputs. This series has been characterized using MIL-STD-883C Method 3015.7 Human Body Model. Each device in the family can withstand up to +/-10kV of static discharge on all RS-232 inputs and outputs. All other pins of each device will maintain \geq +/-2kV of ESD protection.

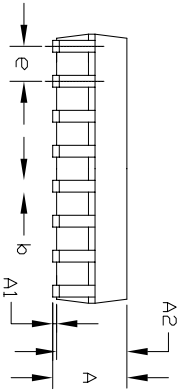
TYPICAL APPLICATION CIRCUITS



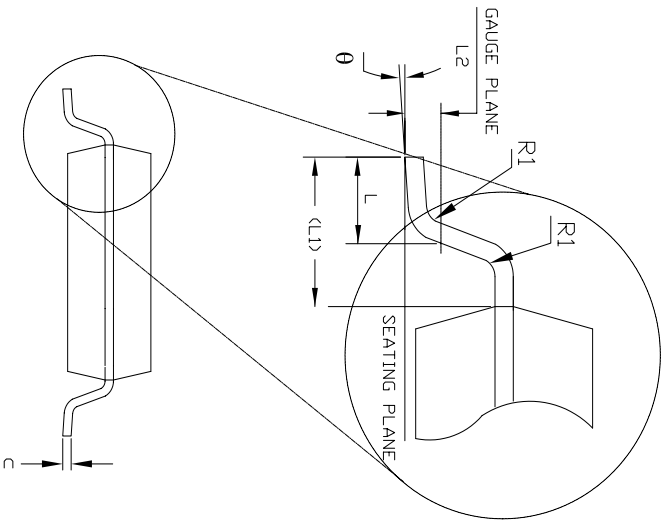
Top View



Side View



Front View

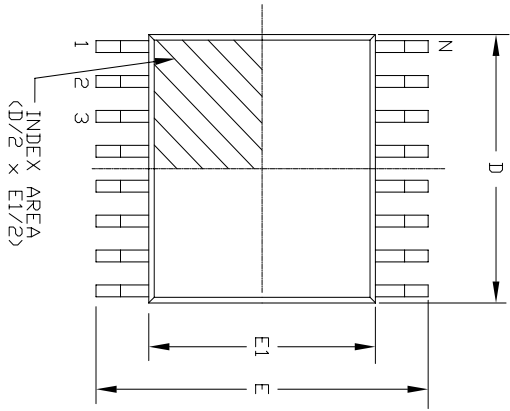


| REVISION HISTORY | | | |
|------------------|--------------------------------------|----------|-------|
| REV. | DESCRIPTION | DATE | APP'D |
| A | DRAWING ORIENTATION | 04/24/06 | JL |
| B | CHANGE DRAWING LOGO AND COMPANY NAME | 11/28/07 | JL |

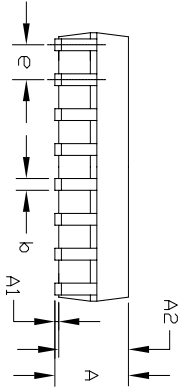
| 24 Pin SSOP JEDEC MO-150 Variation AG | | | | | | | |
|---------------------------------------|---------------------------------|------|------|-------------------------------------|-------|-------|-------|
| SYMBOLS | DIMENSIONS IN MM (Control Unit) | | | DIMENSIONS IN INCH (Reference Unit) | | | |
| | MIN | NOM | MAX | MIN | NOM | MAX | MAX |
| A | — | — | 2.00 | — | — | — | 0.079 |
| A1 | 0.05 | — | — | 0.002 | — | — | — |
| A2 | 1.65 | 1.75 | 1.85 | 0.065 | 0.069 | 0.073 | — |
| b | 0.22 | — | 0.38 | 0.009 | — | 0.015 | — |
| c | 0.09 | — | 0.25 | 0.004 | — | 0.010 | — |
| E | 7.40 | 7.80 | 8.20 | 0.291 | 0.307 | 0.323 | — |
| E1 | 5.00 | 5.30 | 5.60 | 0.197 | 0.209 | 0.220 | — |
| e | 0.65 BSC | | | 0.026 BSC | | | |
| L | 0.55 | 0.75 | 0.95 | 0.022 | 0.030 | 0.037 | — |
| L1 | 1.25 REF | | | 0.049 REF | | | |
| L2 | 0.25 BSC | | | 0.010 BSC | | | |
| R1 | 0.09 | — | — | 0.004 | — | — | — |
| θ | 0° | 4° | 8° | 0° | 4° | 8° | — |
| D | 7.90 | 8.20 | 8.50 | 0.311 | 0.323 | 0.335 | — |
| N | 24 | | | 24 | | | |

| | | | |
|-------------|----------------|--|---------------|
| | | EXAR CORPORATION Packaging Approval: | |
| | | | |
| By: JL | Date: 11/28/07 | Drawing No: | 24-PIN SSOP |
| Revision: B | Sheet: 1 OF 1 | Revision: B | Sheet: 1 OF 1 |

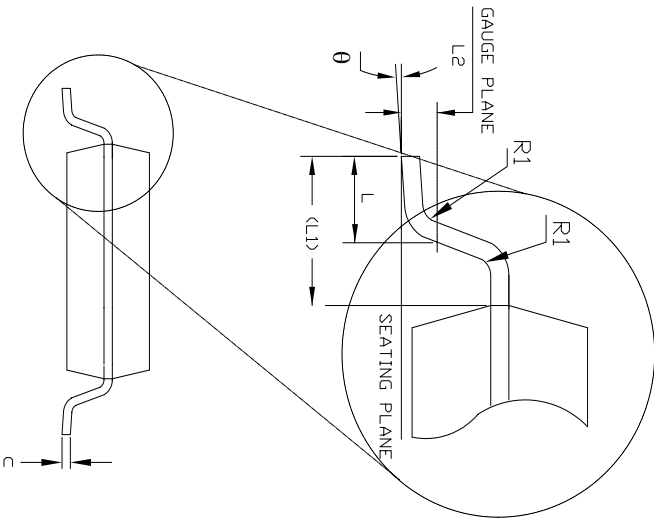
Top View



Side View



Front View

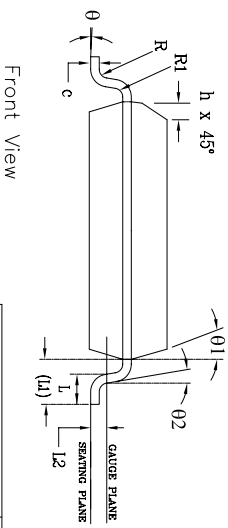
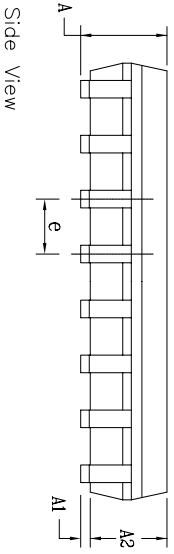
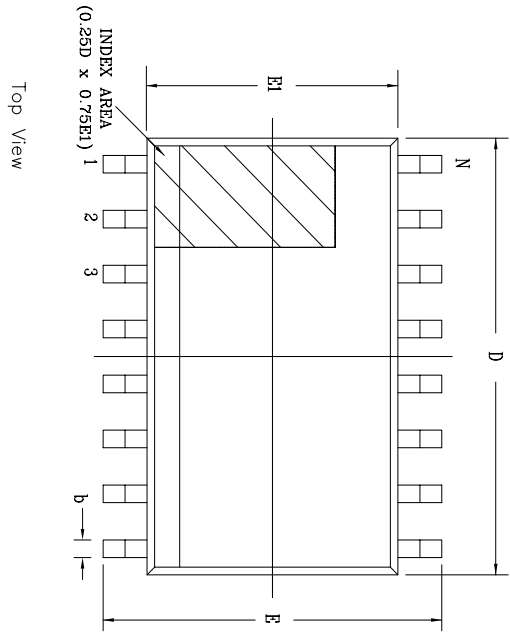


| 28 Pin SSOP JEDEC MO-150 Variation AH | | DIMENSIONS IN MM (Control Unit) | | DIMENSIONS IN INCH (Reference Unit) | | |
|---------------------------------------|----------|------------------------------------|-----------|--|-------|-------|
| SYMBOLS | MIN | NOM | MAX | MIN | NOM | MAX |
| A | 0.05 | — | 2.00 | — | — | 0.079 |
| A1 | 0.05 | — | — | 0.002 | — | — |
| A2 | 1.65 | 1.75 | 1.85 | 0.065 | 0.069 | 0.073 |
| b | 0.22 | — | 0.38 | 0.009 | — | 0.015 |
| c | 0.09 | — | 0.25 | 0.004 | — | 0.010 |
| E | 7.40 | 7.80 | 8.20 | 0.291 | 0.307 | 0.323 |
| E1 | 5.00 | 5.30 | 5.60 | 0.197 | 0.209 | 0.220 |
| e | 0.65 BSC | | 0.026 BSC | | | |
| L | 0.55 | 0.75 | 0.95 | 0.022 | 0.030 | 0.037 |
| L1 | 1.25 REF | | 0.049 REF | | | |
| L2 | 0.25 BSC | | 0.010 BSC | | | |
| R1 | 0.09 | — | — | 0.004 | — | — |
| theta | 0° | 4° | 8° | 0° | 4° | 8° |
| D | 9.90 | 10.20 | 10.50 | 0.390 | 0.402 | 0.413 |
| N | 28 | | 28 | | | |

| REVISION HISTORY | | | |
|------------------|--------------------------------------|----------|-------|
| REV. | DISCRIPTION | DATE | APP'D |
| A | DRAWING ORIGINATION | 04/24/06 | JL |
| B | CHANGE DRAWING LOGO AND COMPANY NAME | 11/28/07 | JL |

| | | | |
|---------------------|----------|-----------------------------|--------|
| | | EXAR CORPORATION | |
| | | 28 PIN SSOP PACKAGE OUTLINE | |
| Packaging Approval: | Date: | Drawing No.: | Sheet: |
| By: JL | 11/28/07 | B | 1 OF 1 |

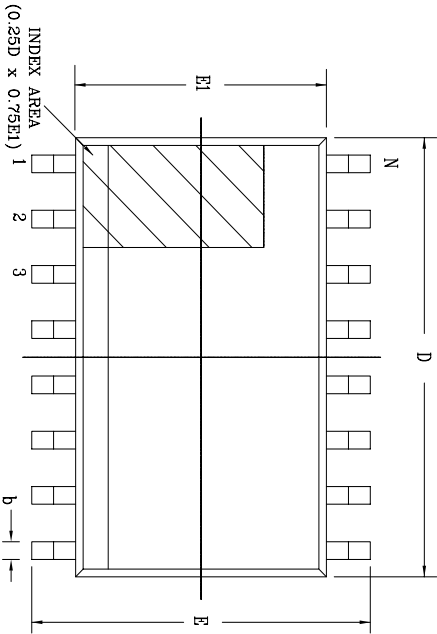
| REVISION HISTORY | | | |
|------------------|--------------------------------------|----------|-------|
| REV. | DESCRIPTION | DATE | APP'D |
| A | DRAWING ORIGINATOR | 04/24/06 | JL |
| B | CHANGE DRAWING LOGO AND COMPANY NAME | 11/28/07 | JL |



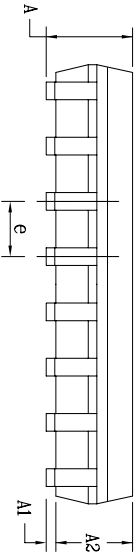
| 24 Pin SOICW | | JEDEC MS-013 | | Variation AD | | |
|--------------|------------------------------------|--------------|------|--|-----|-------|
| SYMBOLS | DIMENSIONS IN MM (Control Unit) | | | DIMENSIONS IN INCH (Reference Unit) | | |
| | MIN | NOM | MAX | MIN | NOM | MAX |
| A | 2.35 | — | 2.65 | 0.093 | — | 0.104 |
| A1 | 0.10 | — | 0.30 | 0.004 | — | 0.012 |
| A2 | 2.05 | — | 2.55 | 0.081 | — | 0.100 |
| b | 0.31 | — | 0.51 | 0.012 | — | 0.020 |
| c | 0.20 | — | 0.33 | 0.008 | — | 0.013 |
| E | 10.30 BSC | | | 0.406 BSC | | |
| E1 | 7.50 BSC | | | 0.295 BSC | | |
| e | 1.27 BSC | | | 0.050 BSC | | |
| h | 0.25 | — | 0.75 | 0.010 | — | 0.030 |
| L | 0.40 | — | 1.27 | 0.016 | — | 0.050 |
| L1 | 1.40 REF | | | 0.055 REF | | |
| L2 | 0.25 BSC | | | 0.010 BSC | | |
| R | 0.07 | — | — | 0.003 | — | — |
| R1 | 0.07 | — | — | 0.003 | — | — |
| θ | 0° | — | 8° | 0° | — | 8° |
| θ1 | 5° | — | 15° | 5° | — | 15° |
| θ2 | 0° | — | — | 0° | — | — |
| D | 15.40 BSC | | | 0.606 BSC | | |
| N | 24 | | | 24 | | |

| | | | |
|---------------------|----------------|------------------------------|-------------|
| | | EXAR CORPORATION | |
| Packaging Approval: | | 24 PIN SOICW PACKAGE OUTLINE | |
| By: JL | Date: 11/28/07 | Drawing No: 24-PIN SOICW | Revision: B |
| | | Sheet: 1 | OF 1 |

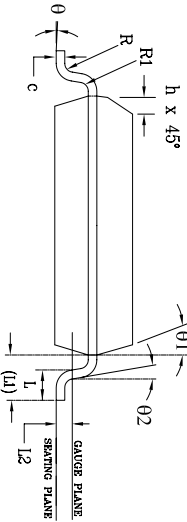
| REVISION HISTORY | | | |
|------------------|--------------------------------------|----------|-------|
| REV. | DESCRIPTION | DATE | APP'D |
| A | DRAWING ORIGINATOR | 04/24/06 | JL |
| B | CHANGE DRAWING LOGO AND COMPANY NAME | 11/28/07 | JL |



Top View



Side View



Front View

| 28 Pin SOICW | | JEDEC MS-013 Variation AE | | | |
|--------------|------------------------------------|---------------------------|--|-----------|--|
| SYMBOLS | DIMENSIONS IN MM (Control Unit) | | DIMENSIONS IN INCH (Reference Unit) | | |
| | MIN | MAX | MIN | MAX | |
| A | 2.35 | 2.65 | 0.093 | 0.104 | |
| A1 | 0.10 | 0.30 | 0.004 | 0.012 | |
| A2 | 2.05 | 2.55 | 0.081 | 0.100 | |
| b | 0.31 | 0.51 | 0.012 | 0.020 | |
| c | 0.20 | — | 0.008 | 0.013 | |
| E | — | 10.30 BSC | — | 0.406 BSC | |
| E1 | — | 7.50 BSC | — | 0.295 BSC | |
| e | 0.25 | — | 0.010 | 0.050 BSC | |
| h | 0.40 | — | 0.016 | 0.030 | |
| L | — | 1.27 | — | 0.050 | |
| L1 | — | 1.40 REF | — | 0.055 REF | |
| L2 | — | 0.25 BSC | — | 0.010 BSC | |
| R | 0.07 | — | 0.003 | — | |
| R1 | 0.07 | — | 0.003 | — | |
| theta | 0° | — | 8° | — | |
| theta1 | 5° | — | 5° | — | |
| theta2 | 0° | — | 0° | — | |
| D | — | 17.90 BSC | — | 0.705 BSC | |
| N | — | 28 | — | 28 | |

| | | | |
|---------------------|----------------|------------------------------|---------------|
| | | EXAR CORPORATION | |
| | | 28 PIN SOICW PACKAGE OUTLINE | |
| Packaging Approval: | | Drawing No.: | 28—PIN SOICW |
| By: JL | Date: 11/28/07 | Revision: B | Sheet: 1 OF 1 |

| Part number | Drivers | Receivers | Temperature range | Package Type |
|--------------|---------|-----------|-------------------|--------------|
| SP206CA-L | 4 | 3 | 0 to +70°C | 24 pin SSOP |
| SP206CA-L/TR | 4 | 3 | 0 to +70°C | 24 pin SSOP |
| SP206CT-L | 4 | 3 | 0 to +70°C | 24 pin WSOIC |
| SP206CT-L/TR | 4 | 3 | 0 to +70°C | 24 pin WSOIC |
| SP206EA-L | 4 | 3 | -40 to +85°C | 24 pin SSOP |
| SP206EA-L/TR | 4 | 3 | -40 to +85°C | 24 pin SSOP |
| SP206ET-L | 4 | 3 | -40 to +85°C | 24 pin WSOIC |
| SP206ET-L/TR | 4 | 3 | -40 to +85°C | 24 pin WSOIC |
| SP207CT-L | 5 | 3 | 0 to +70°C | 24 pin WSOIC |
| SP207CT-L/TR | 5 | 3 | 0 to +70°C | 24 pin WSOIC |
| SP207ET-L | 5 | 3 | -40 to +85°C | 24 pin WSOIC |
| SP207ET-L/TR | 5 | 3 | -40 to +85°C | 24 pin WSOIC |
| SP208CA-L | 4 | 4 | 0 to +70°C | 24 pin SSOP |
| SP208CA-L/TR | 4 | 4 | 0 to +70°C | 24 pin SSOP |
| SP208CT-L | 4 | 4 | 0 to +70°C | 24 pin WSOIC |
| SP208CT-L/TR | 4 | 4 | 0 to +70°C | 24 pin WSOIC |
| SP208EA-L | 4 | 4 | -40 to +85°C | 24 pin SSOP |
| SP208EA-L/TR | 4 | 4 | -40 to +85°C | 24 pin SSOP |
| SP208ET-L | 4 | 4 | -40 to +85°C | 24 pin WSOIC |
| SP208ET-L/TR | 4 | 4 | -40 to +85°C | 24 pin WSOIC |
| SP211CA-L | 4 | 5 | 0 to +70°C | 28 pin SSOP |
| SP211CA-L/TR | 4 | 5 | 0 to +70°C | 28 pin SSOP |
| SP211CT-L | 4 | 5 | 0 to +70°C | 28 pin WSOIC |
| SP211CT-L/TR | 4 | 5 | 0 to +70°C | 28 pin WSOIC |
| SP211EA-L | 4 | 5 | -40 to +85°C | 28 pin SSOP |
| SP211EA-L/TR | 4 | 5 | -40 to +85°C | 28 pin SSOP |
| SP211ET-L | 4 | 5 | -40 to +85°C | 28 pin WSOIC |
| SP211ET-L/TR | 4 | 5 | -40 to +85°C | 28 pin WSOIC |

| REVISION HISTORY | | |
|------------------|----------|--|
| Date | Revision | Description |
| 5-26-05 | Rev B | Original SP200/204/206/207/208/211/213 Sipex Data sheet |
| 7-16-10 | 1.0.0 | Change revision to 1.0.0 and convert to Exar format. Remove EOL part numbers and associated verbiage. Update ordering information. |
| June 2011 | 1.0.1 | SP207CA-L and SP207EA-L options removed per PDN 110510-01 |

Notice

EXAR Corporation reserves the right to make changes to any products contained in this publication in order to improve design, performance or reliability. EXAR Corporation assumes no representation that the circuits are free of patent infringement. Charts and schedules contained herein are only for illustration purposes and may vary depending upon a user's specific application. While the information in this publication has been carefully checked; no responsibility, however, is assumed for inaccuracies.

EXAR Corporation does not recommend the use of any of its products in life support applications where the failure or malfunction of the product can reasonably be expected to cause failure of the life support system or to significantly affect its safety or effectiveness. Products are not authorized for use in such applications unless EXAR Corporation receives, in writing, assurances to its satisfaction that: (a) the risk of injury or damage has been minimized ; (b) the user assumes all such risks; (c) potential liability of EXAR Corporation is adequately protected under the circumstances.

Copyright 2011 EXAR Corporation

Datasheet June 2011

Send your Serial Transceiver technical inquiry with technical details to: serialtechsupport@exar.com

Reproduction, in part or whole, without the prior written consent of EXAR Corporation is prohibited.