



**FEATURES**

- 5.0V and 3.3V Versions at 100mA Output
- Very Low Quiescent Current
- Low Dropout Voltage: 380mV at 100mA
- Extremely Tight Load and Line Regulation
- Very Low Temperature Coefficient
- Current & Thermal Limiting
- Need Only 1  $\mu$ F for Stability
- Offered in Lead Free, RoHS Compliant Packages:  
TO-92 (LP2950) & SOIC (LP2951)
- Direct Replacement For LP2950/LP2951

**LP2951 versions only**

- Error Flag Warns of Output Dropout
- Logic-Controlled Electronic Shutdown
- Output Programmable From 1.24 to 29V

**APPLICATIONS**

- Battery Powered Systems
- Cordless Telephones
- Radio Control Systems
- Portable/Palm Top/Notebook Computers
- Portable Consumer Equipment
- Portable Instrumentation
- Avionics
- SMPS Post-Regulator
- Voltage Reference
- Automotive Electronics

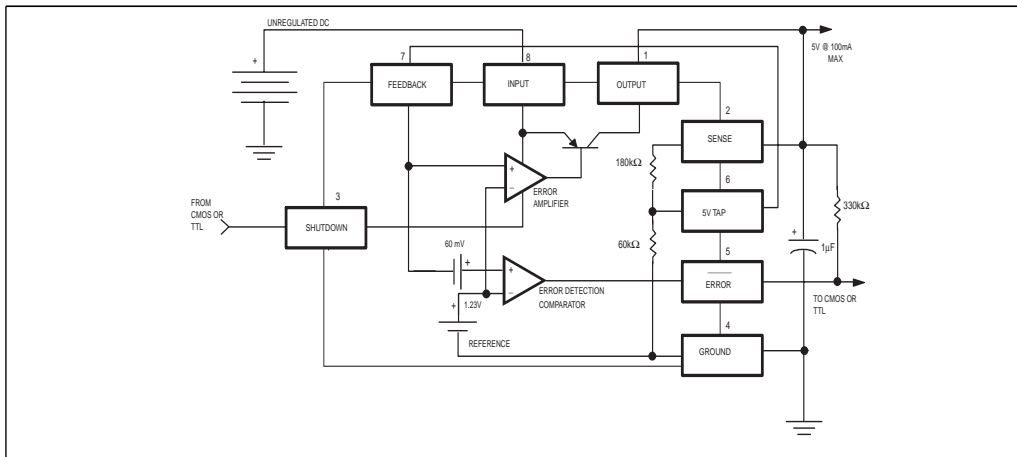
*Now Available in Lead Free Packaging*

**PRODUCT DESCRIPTION**

The LP2950 and LP2951 are low power voltage regulators. These devices are an excellent choice for use in battery-powered applications such as cordless telephones, radio control systems, and portable computers. The LP2950 and LP2951 feature low quiescent current and low dropout voltage (typ. 50mV at light load and 380 mV at 100mA). This includes a tight initial tolerance (0.5% typ.), extremely good load and line regulation (0.05% typ.), and very low output temperature coefficient (20 ppm/ $^{\circ}$ C typ.), making the LP2950/LP2951 useful as a low-power voltage reference.

The error flag output feature is used as a power-on reset for warning of a low output voltage, due to a falling input voltage. The logic-compatible shutdown feature enables the regulator to be switched ON and OFF. The LP2950 is offered in a 3-pin TO-92 package compatible with other 5V, 3.3V regulators. The LP2951 is available in an 8-lead SOIC package.

**Block diagram of LP2951**



## ABSOLUTE MAXIMUM RATINGS

|  |   |
|--|---|
| Power Dissipation.....Internally Limited           | Feedback Input Voltage.....-1.5V to +30V  |
| Lead Temp. (Soldering, 5 Seconds).....260°C        | Shutdown Input Voltage.....-0.3V to +30V  |
| Storage Temperature Range.....-65° to +150°C       | Error Comparator Output.....-0.3V to +30V |
| Operating Junction Temperature Range -40C to +125C | ESD Rating .....2kV Min                   |
| Input Supply Voltage.....-0.3V to +30V             |   |

## ELECTRICAL CHARACTERISTICS $V_{IN}=6V$ , $I_O=100\mu A$ , $C_{OUT}=1\mu F$ (Note 2) $T_A=25^\circ C$ , unless otherwise noted

| PARAMETER                              | CONDITIONS  | LP2950AC<br>LP2951AC |       |       | LP2950C<br>LP2951C |       |       | UNITS           |
|--|---|----------------------|-------|-------|--------------------|-------|-------|-----------------|
|  |   | Min.                 | Typ.  | Max.  | Min.               | Typ.  | Max.  |                 |
| <b>3.3 V Versions</b>                  |   |                      |       |       |                    |       |       |                 |
| Output Voltage                         | $T_J = 25^\circ C$  | 3.284                | 3.3   | 3.317 | 3.267              | 3.3   | 3.333 | V               |
|  | $-25^\circ C \leq T_J \leq 85^\circ C$                                | 3.267                | 3.3   | 3.333 | 3.251              | 3.3   | 3.350 |                 |
|  | Full Operating Temperature  | 3.260                | 3.3   | 3.340 | 3.234              | 3.3   | 3.366 |                 |
| Output Voltage                         | $100\mu A \leq I_L \leq 100\text{ mA}$<br>$T_J \leq T_{MAX}$          | 3.254                | 3.3   | 3.346 | 3.221              | 3.3   | 3.379 | V               |
| <b>5 V Versions</b>                    |   |                      |       |       |                    |       |       |                 |
| Output Voltage                         | $T_J = 25^\circ C$  | 4.975                | 5.0   | 5.025 | 4.950              | 5.0   | 5.050 | V               |
|  | $-25^\circ C \leq T_J \leq 85^\circ C$                                | 4.950                | 5.0   | 5.050 | 4.925              | 5.0   | 5.075 |                 |
|  | Full Operating Temperature  | 4.940                | 5.0   | 5.060 | 4.900              | 5.0   | 5.100 |                 |
| Output Voltage                         | $100\mu A \leq I_L \leq 100\text{ mA}$<br>$T_J \leq T_{MAX}$          | 4.925                | 5.0   | 5.075 | 4.880              | 5.0   | 5.120 | V               |
| <b>All Voltage Options</b>             |   |                      |       |       |                    |       |       |                 |
| Output Voltage Temperature Coefficient | (Note 1)  |                      | 20    | 120   |                    | 50    | 150   | ppm/ $^\circ C$ |
| Line Regulation (Note 3)               | $6V \leq V_{IN} \leq 30V$ (Note 4)                                    |                      | 0.03  | 0.1   |                    | 0.04  | 0.2   | %               |
| Load Regulation (Note 3)               | $100\mu A \leq I_L \leq 100\text{ mA}$                                |                      | 0.04  | 0.1   |                    | 0.1   | 0.2   | %               |
| Dropout Voltage (Note 5)               | $I_L = 100\mu A$  |                      | 50    | 80    |                    | 50    | 80    | mV              |
|  | $I_L = 100\text{ mA}$   |                      | 380   | 450   |                    | 380   | 450   | mV              |
| Ground Current                         | $I_L = 100\mu A$  |                      | 150   | 170   |                    | 150   | 170   | $\mu A$         |
|  | $I_L = 100\text{ mA}$   |                      | 8     | 12    |                    | 8     | 12    | mA              |
| Current Limit                          | $V_{OUT} = 0$   |                      | 150   | 200   |                    | 150   | 200   | mA              |
| Thermal Regulation                     |   |                      | 0.05  | 0.2   |                    | 0.05  | 0.2   | %/W             |
| Output Noise, 10Hz to 100KHz           | $C_L = 1\mu F$  |                      | 430   |       |                    | 430   |       | $\mu V$ rms     |
|  | $C_L = 200\mu F$  |                      | 160   |       |                    | 160   |       | $\mu V$ rms     |
|  | $C_L = 3.3\mu F$ , Bypass = 0.01 $\mu F$ from Pin 7 to Pin 1 (LP2951) |                      | 100   |       |                    | 100   |       | $\mu V$ rms     |
| <b>8-Pin Versions only</b>             |   | <b>LP2951AC</b>      |       |       | <b>LP2951C</b>     |       |       |                 |
| Reference Voltage                      |   | 1.220                | 1.235 | 1.250 | 1.210              | 1.235 | 1.260 | V               |
| Reference Voltage                      | Over Temperature (Note 6)   | 1.190                |       | 1.270 | 1.185              |       | 1.285 | V               |
| Feedback Pin Bias Current              |   |                      | 40    | 60    |                    | 40    | 60    | nA              |

| PARAMETER   | CONDITIONS<br>(Note 2)                     | LP2951AC |           |            | LP2951C |           |            | UNITS    |
|---|--|----------|-----------|------------|---------|-----------|------------|----------|
|   |  | Min.     | Typ.      | Max.       | Min.    | Typ.      | Max.       |          |
| <b>8-Pin Versions only (Continued)</b>            |  |          |           |            |         |           |            |          |
| Reference Voltage Temperature Coefficient         |  |          | 20        |            |         | 50        |            | ppm/°C   |
| Feedback Pin Bias Current Temperature Coefficient |  |          | 0.1       |            |         | 0.1       |            | nA/°C    |
| <b>Error Comparator</b>                           |  |          |           |            |         |           |            |          |
| Output Leakage Current                            | $V_{OH} = 30V$                             |          | 0.01      | 1          |         | 0.01      | 1          | μA       |
| Output Low Voltage                                | $V_{IN} = 4.5V$<br>$I_{OL} = 400 \mu A$    |          | 150       | 250        |         | 150       | 250        | mV       |
| Upper Threshold Voltage                           | (Note 7)                                   |          | 40        | 60         |         | 40        | 60         | mV       |
| Lower Threshold Voltage                           | (Note 7)                                   |          | 75        | 95         |         | 75        | 95         | mV       |
| Hysteresis  | (Note 7)                                   |          | 15        |            |         | 15        |            | mV       |
| <b>Shutdown Input</b>                             |  |          |           |            |         |           |            |          |
| Input logic Voltage                               | Low (Regulator ON)<br>High (Regulator OFF) |          | 2.0       | 1.3<br>0.7 |         | 2.0       | 1.3<br>0.7 | V<br>V   |
| Shut down Pin Input Current                       | $V_S = 2.4V$<br>$V_S = 30V$                |          | 30<br>675 | 50<br>800  |         | 30<br>675 | 50<br>800  | μA<br>μA |
| Regulator Output Current in Shutdown              | (Note 8)                                   |          | 3         | 10         |         | 3         | 10         | μA       |
| Thermal Resistance $\theta_{JA}$                  | 8 Pin SOIC                                 |          | 128.4     |            |         |           |            | °C/W     |
|   | 3 Pin TO-92                                |          | 131.9     |            |         |           |            | °C/W     |

**Note 1:** Output or reference voltage temperature coefficients defined as the worst case voltage change divided by the total temperature range.

**Note 2:** Unless otherwise specified all limits guaranteed for  $T_j = 25^\circ C$ ,  $V_{IN} = 6V$ ,  $I_L = 100 \mu A$  and  $C_L = 1 \mu F$ . Additional conditions for the 8-pin versions are feedback tied to 5V tap and output tied to output sense ( $V_{OUT} = 5V$ ) and  $V_{SHUTDOWN} \leq 0.8V$ .

**Note 3:** Regulation is measured at constant junction temperature, using pulse testing with a low duty cycle. Changes in output voltage due to heating effects are covered under the specification for thermal regulation.

**Note 4:** Line regulation for the LP2951 is tested at  $I_L = 1mA$ . For  $I_L = 100 \mu A$  and  $T_j = 125^\circ C$ , line regulation is guaranteed by design to 0.2%. See typical performance characteristics for line regulation versus temperature and load current.

**Note 5:** Dropout voltage is defined as the input to output differential at which the output voltage drops 100 mV below its nominal value measured at 1V differential. At very low values of programmed output voltage, the minimum input supply voltage of 2V (2.3V over temperature) must be taken into account.

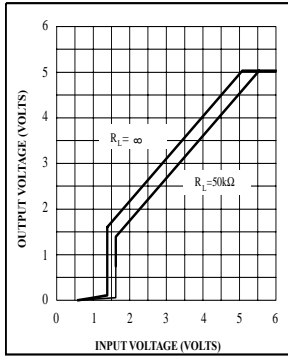
**Note 6:**  $V_{REF} \leq V_{OUT} \leq (V_{IN} - 1V)$ ,  $2.3 \leq V_{IN} \leq 30V$ ,  $100 \mu A \leq I_L \leq 100mA$ ,  $T_j \leq T_{JMAX}$ .

**Note 7:** Comparator thresholds are expressed in terms of a voltage differential at the feedback terminal below the nominal reference voltage measured at 6V input. To express these thresholds in terms of output voltage change, multiply by the error amplifier gain =  $V_{OUT}/V_{REF} = (R_1 + R_2)/R_2$ . For example, at a programmed output voltage of 5V, the error output is guaranteed to go low when the output drops by  $95 mV \times 5V/1.235 = 384 mV$ . Thresholds remain constant as a percent of  $V_{OUT}$  as  $V_{OUT}$  is varied, with the dropout warning occurring at typically 5% below nominal, 7.5% guaranteed.

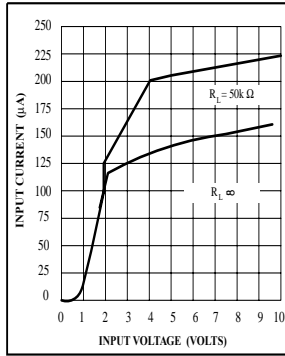
**Note 8:**  $V_{SHUTDOWN} \geq 2V$ ,  $V_{IN} \leq 30V$ ,  $V_{OUT} = 0$ , Feedback pin tied to 5V Tap.

**Note 9:** All typical values are not guaranteed. The value could vary from lot to lot.

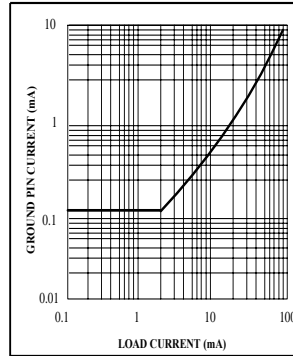
## TYPICAL PERFORMANCE CHARACTERISTIC



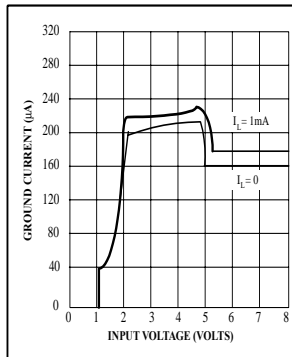
Dropout Characteristics



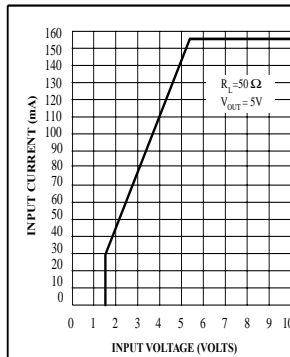
Input Current



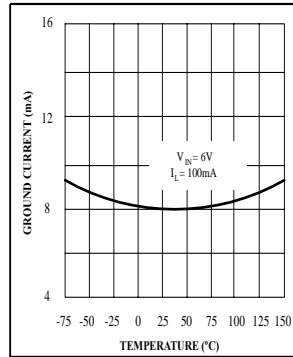
Quiescent Current



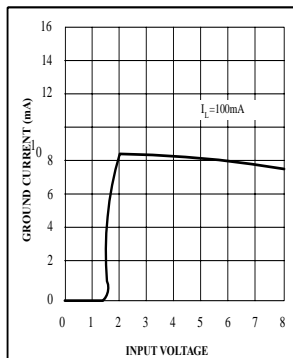
Ground Current



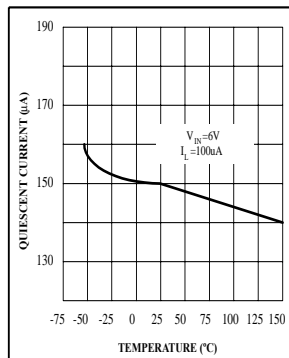
Input Current



Ground Current

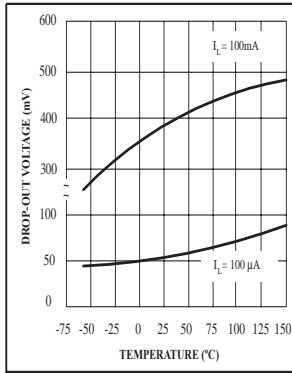


Ground Current

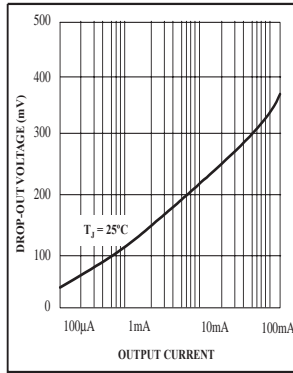


Quiescent Current

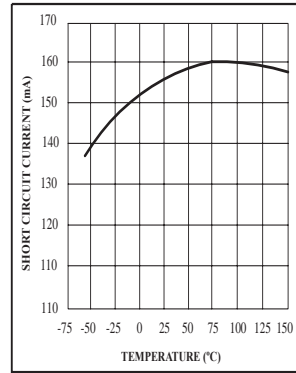
## TYPICAL PERFORMANCE CHARACTERISTICS (continued)



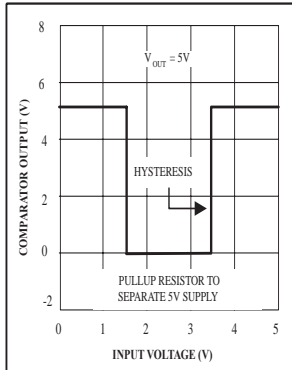
Drop-Out Voltage



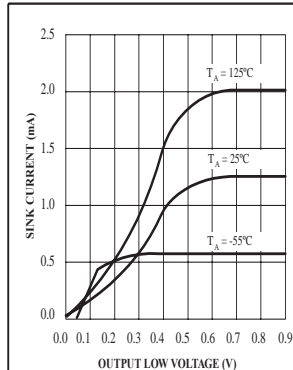
Drop-Out Voltage



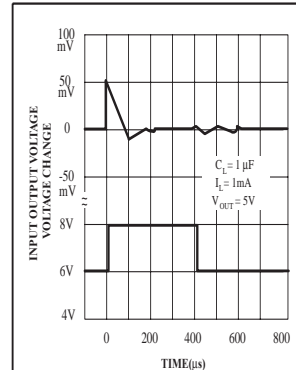
Short Circuit Current



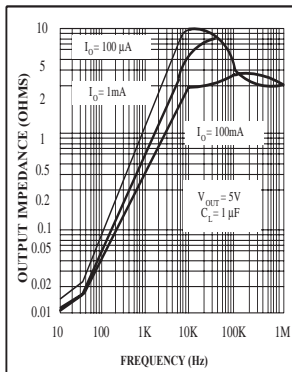
Error Comparator Output



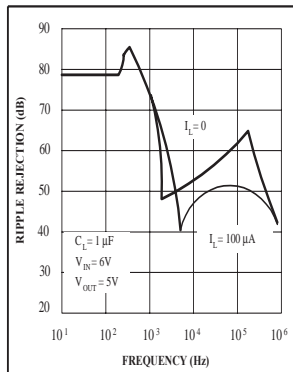
LP2951 Comparator Sink Current



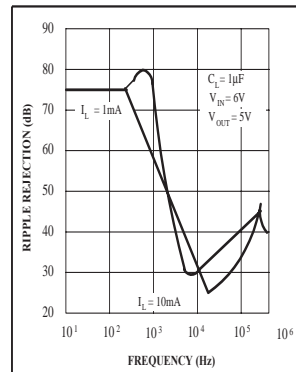
Line Transient Response



Output Impedance

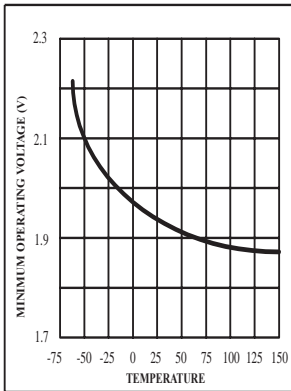


Ripple Rejection

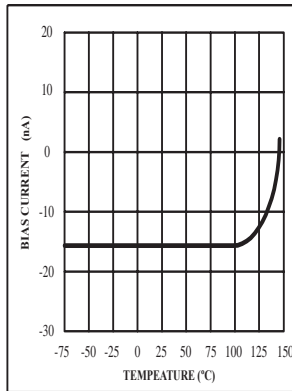


Ripple Rejection

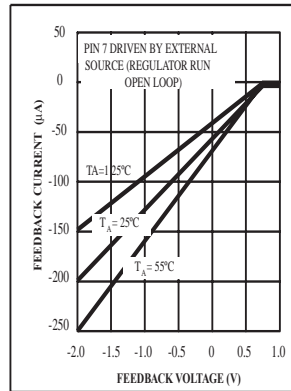
## TYPICAL PERFORMANCE CHARACTERISTICS (continued)



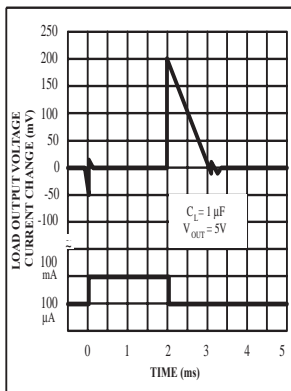
LP2951 Minimum Operating Voltage



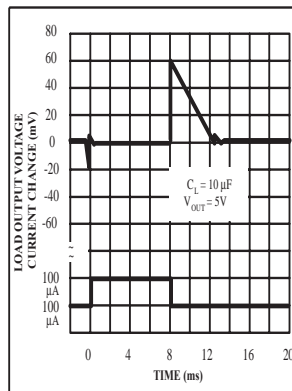
LP2951 Feedback Bias Current



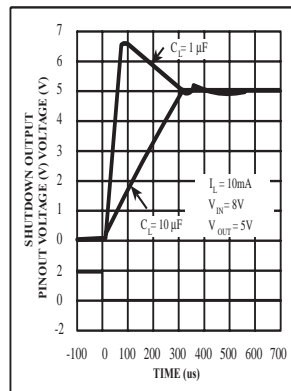
LP2951 Feedback Pin Current



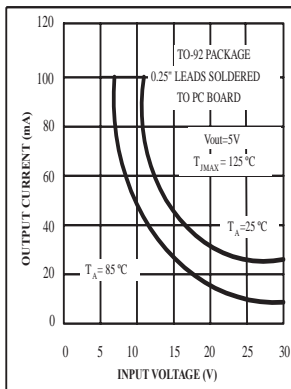
Load Transient Response



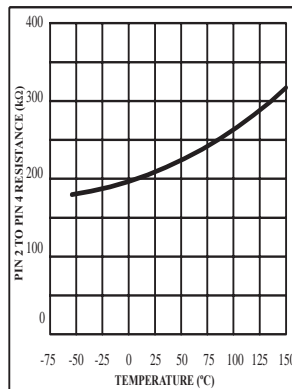
Load Transient Response



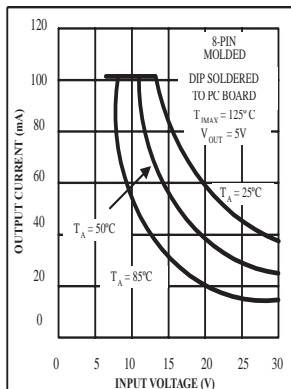
Enable Transient



LP2950 Maximum Rated Output

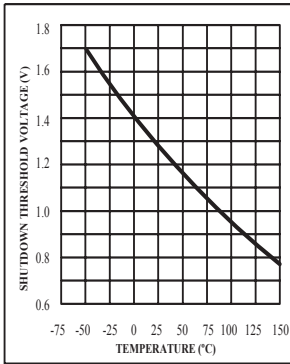


LP2951 Divider Resistance

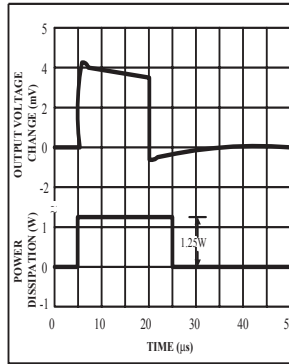


LP2950 Maximum Rated Output Current

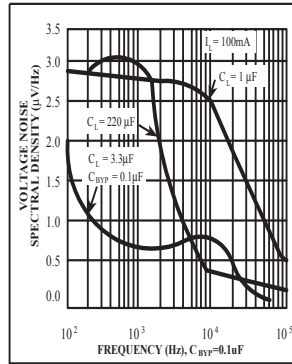
## TYPICAL APPLICATIONS



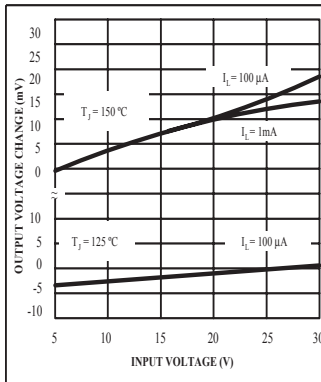
Shutdown Threshold Voltage



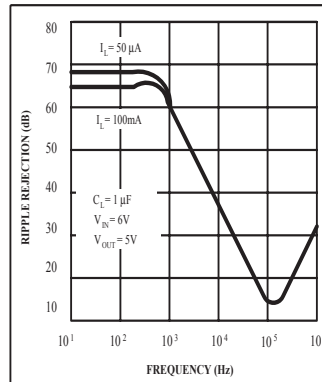
Thermal Response



Output Noise



Line Regulation



Ripple Rejection

## APPLICATION HINTS

### EXTERNAL CAPACITORS

The stability of the LP2950/LP2951 requires a 1.0 $\mu$ F or greater capacitor between output and ground. Oscillation could occur without this capacitor. Most types of tantalum or aluminum electrolytic works fine here. For operations below -25°C solid tantalum is recommended since the many aluminum types have electrolytes that freeze at about -30°C. The ESR of about 5 $\Omega$  or less and resonant frequency above 500kHz are the most important parameters in the value of the capacitor. The capacitors value may be increased without limit.

At lower values of output current, less output capacitance is required for stability. For the currents below 10mA the value of the capacitor can be reduced to 0.33 $\mu$ F and 0.1 $\mu$ F for 1mA. More output capacitance is needed for the 8-pin version at voltages below 5V since it runs the error amplifier at lower gain. At worst case 3.3  $\mu$ F or greater must be used for the condition of 100mA load at 1.23V output.

The LP2950/51 unlike other low dropout regulators will remain stable and in regulation with no load in addition to the internal voltage divider. This feature is especially important in applications like CMOS RAM keep-alive. When setting the output voltage of the LP2950/51 version with external resistors, a minimum load of 1 $\mu$ A is recommended

If there is more than 10 inches of wire between the input and the AC filter capacitor or if a battery is used as the input then a 1 $\mu$ A tantalum or aluminum electrolytic capacitor should be placed from the input to the ground.

Instability can occur if there is stray capacitance to the LP2951 feedback terminal (pin 7). This could cause more problems when using a higher value of external resistors to set the output voltage. This problem can be fixed by adding a 100pF capacitor between output and feedback and increasing the output capacitor to at least 3.3  $\mu$ F.

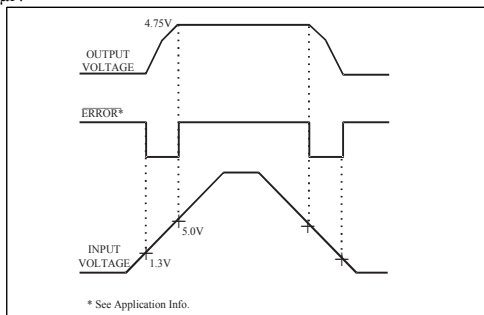


Figure 1. ERROR Output Timing

### ERROR DETECTION COMPARATOR OUTPUT

The Comparator produces a logic low output whenever the LP2951 output falls out of regulation by more than around 5%. This is around 60 mV offset divided by the 1.235 reference voltage. This trip level

remains 5% below normal regardless of the programmed output voltage of the regulator.

Figure 1 shows the timing diagram depicting the ERROR signal and the regulator output voltage as the LP2951 input is ramped up and down. The ERROR signal becomes low at around 1.3V input, and goes high around 5V input (input voltage at which  $V_{OUT} = 4.75$ ).

Since the LP2951's dropout voltage is load dependent, the input voltage trip point (around 5V) will vary with the load current. The output voltage trip point (approx. 4.75V) does not vary with load.

The error comparator has an open-collector output, which requires an external pull-up resistor. Depending on the system requirements the resistor may be returned to 5V output or other supply voltage. In determining the value of this resistor, note that the output is rated to sink 400 $\mu$ A, this value adds to battery drain in a low battery condition. Suggested values range from 100K to 1M $\Omega$ . If the output is unused this resistor is not required.

### PROGRAMMING THE OUTPUT VOLTAGE OF LP2951

The LP2951 may be pin-strapped for 5V using its internal voltage divider by tying Pin 1 (output) to Pin 2 (sense) and Pin 7 (feedback) to Pin 6 (5V Tap). Also, it may be programmed for any output voltage between its 1.235V reference and its 29V maximum rating. As seen in Figure 2, an external pair of resistors is required. Refer to the below equation for the programming of the output voltage:

$$V_{OUT} = V_{REF} \times (1 + R_1/R_2) + I_{FB}R_1$$

The  $V_{REF}$  is 1.235 and  $I_{FB}$  is the feedback bias current, nominally -20nA. The minimum recommended load current of 1  $\mu$ A forces an upper limit of 1.2M $\Omega$  on value of  $R_2$ . If no load is presented the  $I_{FB}$  produces an error of typically 2% in  $V_{OUT}$  which may be eliminated at room temperature by trimming  $R_1$ . To improve the accuracy choose the value of  $R_2 = 100k$  this reduces the error by 0.17% and increases the resistor program current by 12 $\mu$ A. Since the LP2951 typically draws 60 $\mu$ A at no load with Pin 2 open-circuited this is a small price to pay

### REDUCING OUTPUT NOISE

It may be an advantage to reduce the AC noise present at the output. One way is to reduce the regulator bandwidth by increasing the size of the output capacitor. This is the only way that noise can be reduced on the 3 lead LP2950 but is relatively inefficient, as increasing the capacitor from 1 $\mu$ F to 220  $\mu$ F only decreases the noise from 430 $\mu$ V to 160 $\mu$ V<sub>RMS</sub> for a 100kHz bandwidth at 5V output. Noise could also be reduced fourfold by a bypass capacitor across  $R_1$ , since it reduces the high frequency gain from 4 to unity. Pick

$$C_{BYPASS} \cong 1 / 2 \pi R_1 \times 200 \text{ Hz}$$

or choose 0.01 $\mu$ F. When doing this, the output capacitor must be increased to 3.3 $\mu$ F to maintain stability. These changes reduce the output noise from 430 $\mu$ V to 100 $\mu$ V<sub>RMS</sub> for a 100kHz bandwidth at 5V output. With the bypass capacitor added, noise no longer scales with output voltage so that improvements are more dramatic at higher output voltages.



## TYPICAL APPLICATIONS

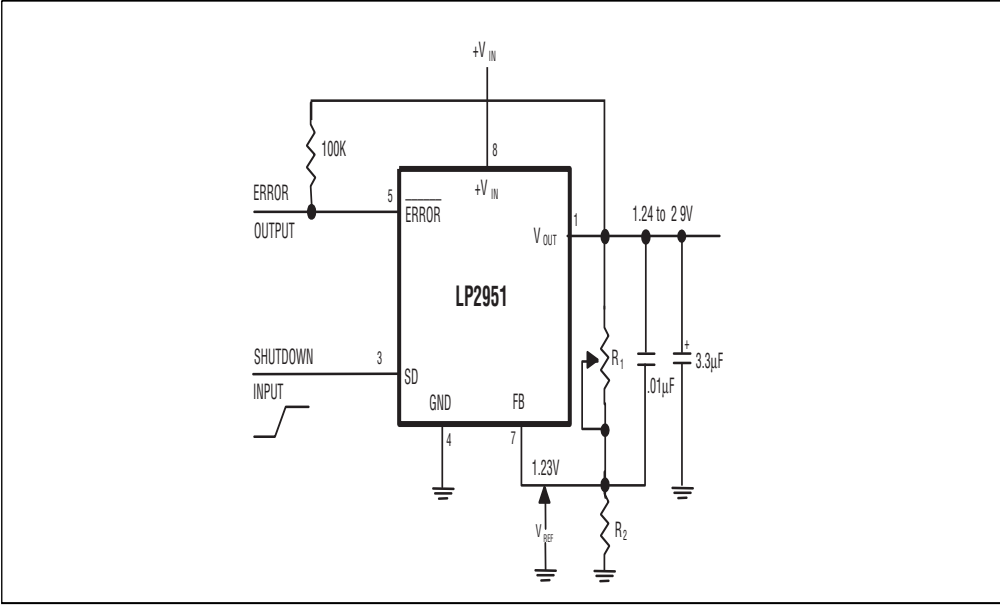


Figure 2. Adjustable Regulator

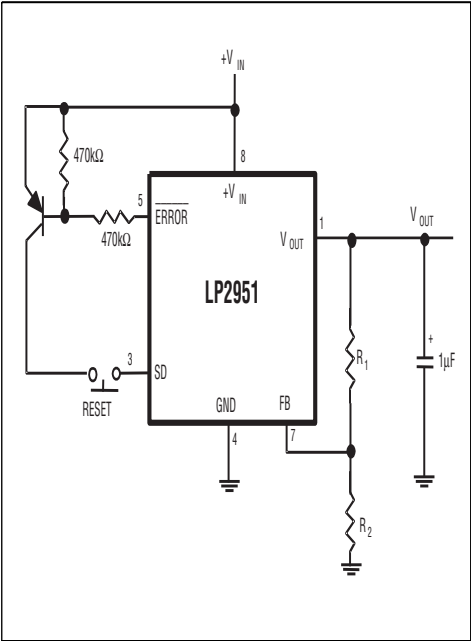


Figure 3. Latch Off When Error Flag Occurs

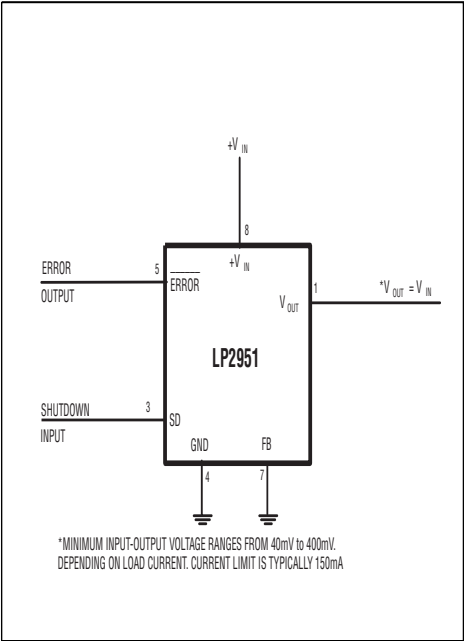


Figure 4. Wide Input voltage Range Current Limiter

## TYPICAL APPLICATIONS (continued)

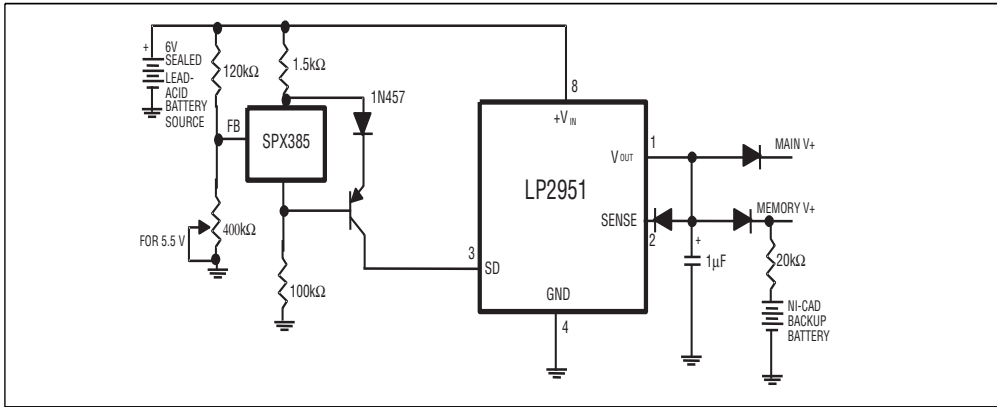


Figure 5. Low Battery disconnect

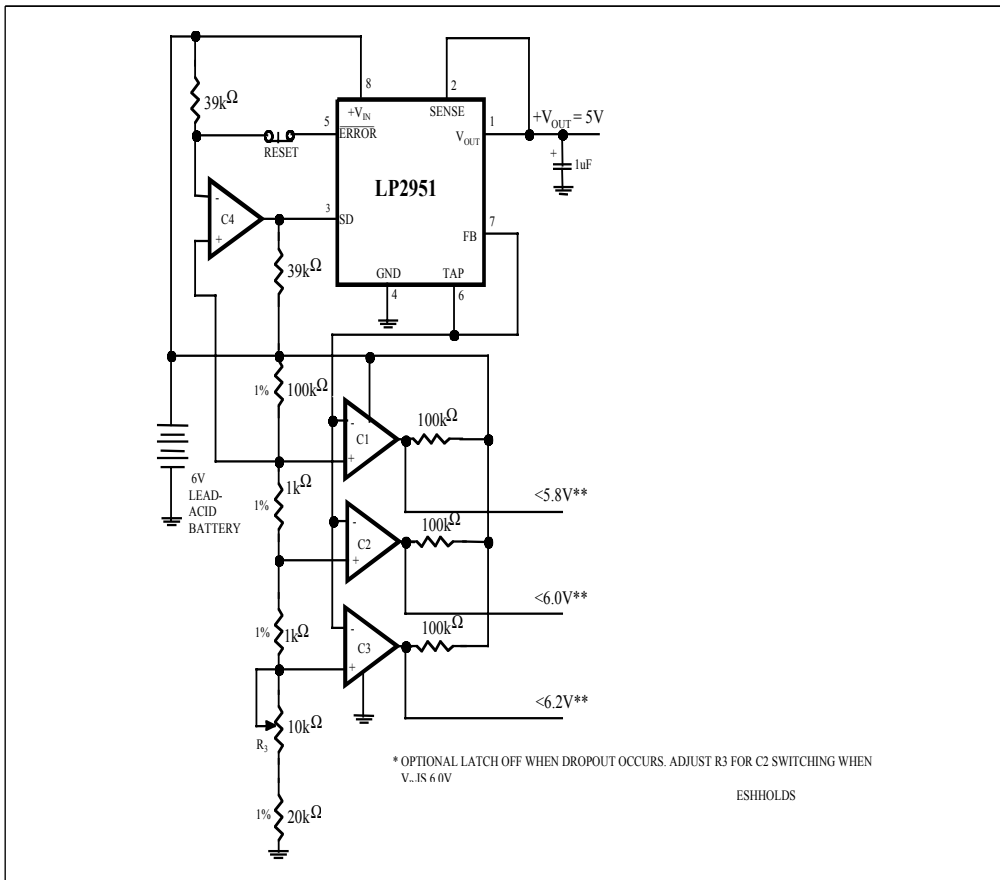


Figure 6. Regulator with State-of-Charge Indicator

## TYPICAL APPLICATIONS (continued)

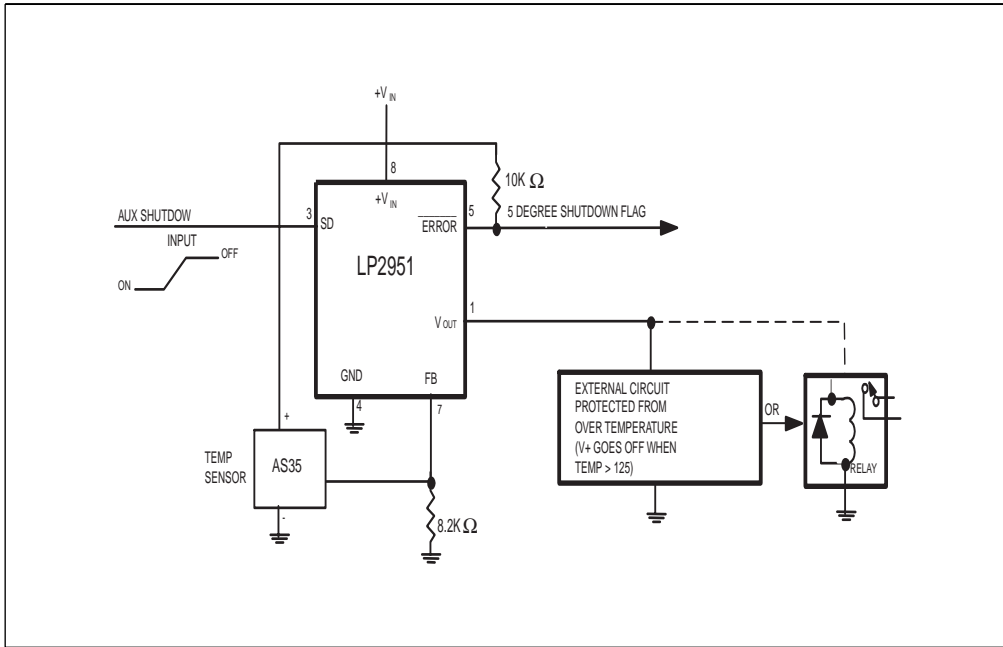


Figure 7. System Over Temperature Protection

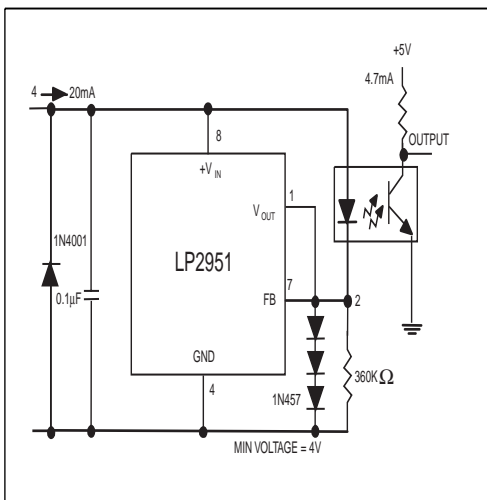


Figure 8. Open Circuit Detector for 4mA to 20mA Current Loop

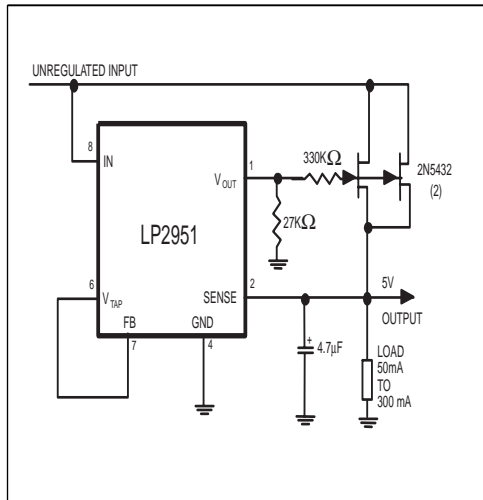
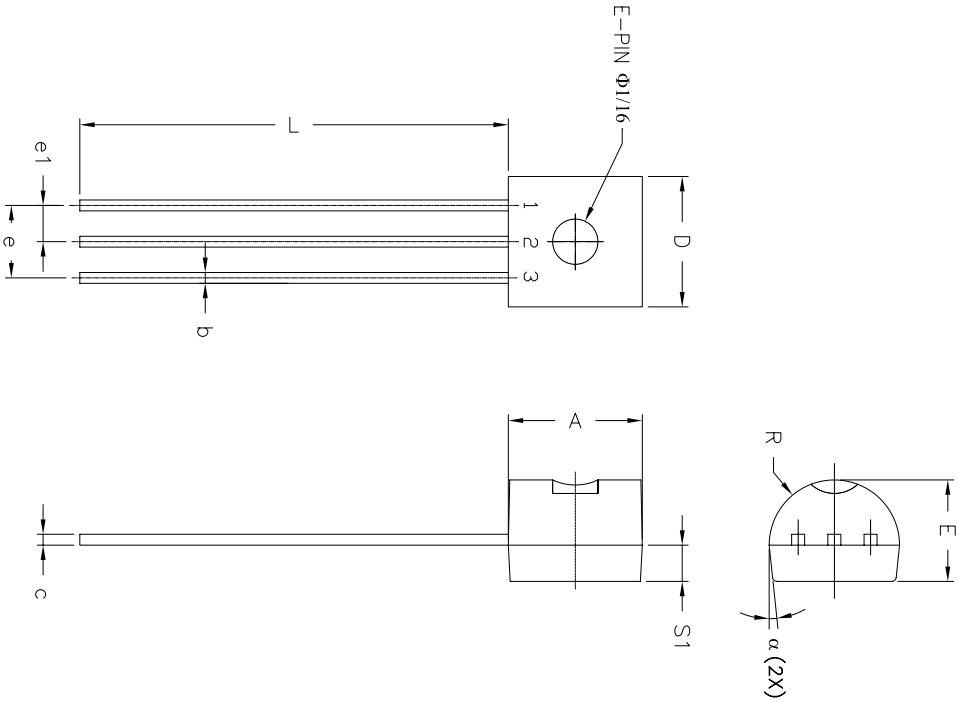


Figure 9. 300mA Regulator with 0.75V

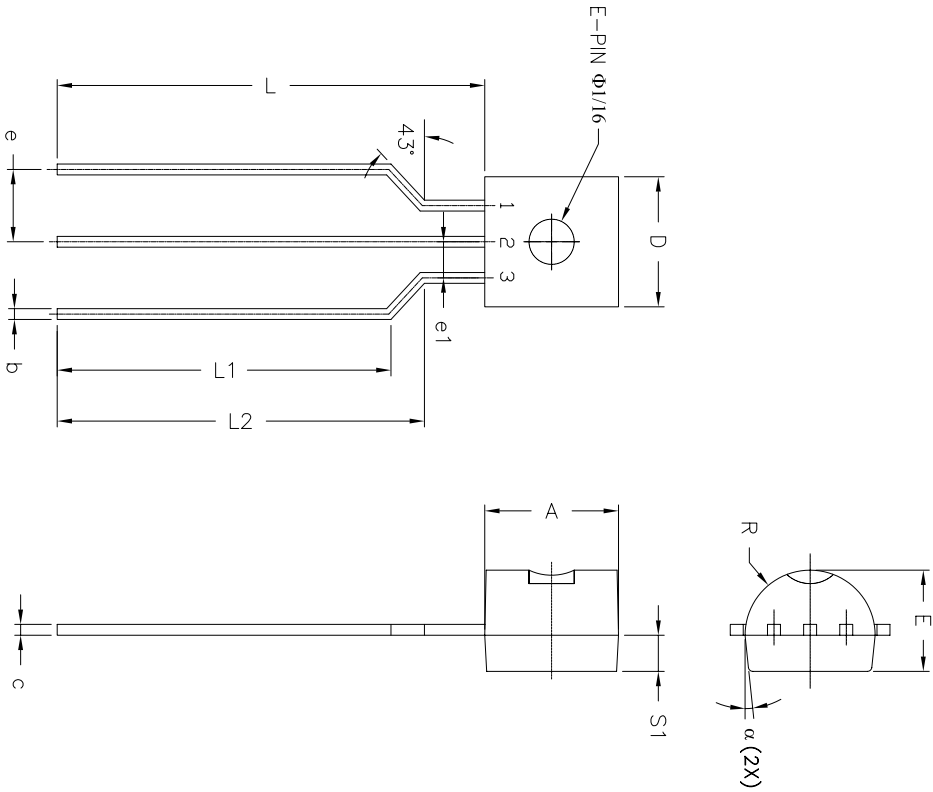


| 3 Pin TO-92 (Option 1)* JEDEC TO-226-AA |                                      |       |                                      |       |  |
|---|--------------------------------------|-------|--------------------------------------|-------|--|
| SYMBOLS                                 | DIMENSIONS IN INCH<br>(Control Unit) |       | DIMENSIONS IN MM<br>(Reference Unit) |       |  |
|   | MIN                                  | MAX   | MIN                                  | MAX   |  |
| A                                       | 0.170                                | 0.210 | 4.32                                 | 5.33  |  |
| b                                       | 0.014                                | 0.020 | 0.36                                 | 0.51  |  |
| c                                       | 0.016                                | 0.022 | 0.41                                 | 0.55  |  |
| D                                       | 0.175                                | 0.205 | 4.45                                 | 5.20  |  |
| E                                       | 0.125                                | 0.165 | 3.18                                 | 4.19  |  |
| e                                       | 0.095                                | 0.105 | 2.42                                 | 2.66  |  |
| e1                                      | 0.045                                | 0.055 | 1.15                                 | 1.39  |  |
| L                                       | 0.500                                | 0.610 | 12.70                                | 15.49 |  |
| R                                       | 0.045                                | 0.095 | 2.16                                 | 2.41  |  |
| S1                                      | 0.045                                | 0.060 | 1.14                                 | 1.52  |  |
| alpha                                   | 4°                                   | 6°    | 4°                                   | 6°    |  |
| N                                       | 3                                    |       | 3                                    |       |  |

\* Refer to product datasheet for POD option being used

| REVISION HISTORY |                                      |          |       |
|------------------|--------------------------------------|----------|-------|
| REV.             | DESCRIPTION                          | DATE     | APP'D |
| A                | DRAWING ORIGINATION                  | 09/23/05 | JL    |
| B                | DRAWING FORMAT MODIFICATION          | 06/15/06 | JL    |
| C                | CHANGE DRAWING LOGO AND COMPANY NAME | 11/28/07 | JL    |


|        |                |                         |               |
|--------|----------------|-------------------------|---------------|
|        |                | <b>EXAR CORPORATION</b> |               |
|        |                |                         |               |
| By: JL | Date: 11/28/07 | Revision: C             | Sheet: 1 OF 2 |



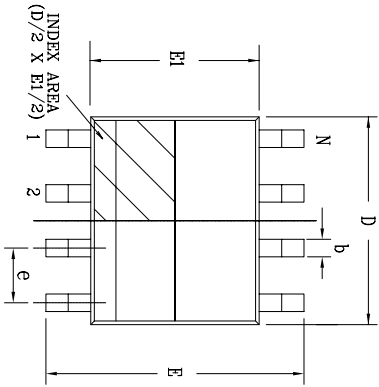
| 3 Pin TO-92 (Option 2)* |                                      |       |                                      |      |     |
|-------------------------|--------------------------------------|-------|--------------------------------------|------|-----|
| SYMBOLS                 | DIMENSIONS IN INCH<br>(Control Unit) |       | DIMENSIONS IN MM<br>(Reference Unit) |      |     |
|                         | MIN                                  | MAX   | MIN                                  | MAX  | MAX |
| A                       | 0.170                                | 0.210 | 4.32                                 | 5.33 |     |
| b                       | 0.014                                | 0.020 | 0.36                                 | 0.51 |     |
| c                       | 0.016                                | 0.022 | 0.41                                 | 0.55 |     |
| D                       | 0.175                                | 0.205 | 4.45                                 | 5.20 |     |
| E                       | 0.125                                | 0.165 | 3.18                                 | 4.19 |     |
| e                       | 0.095                                | 0.105 | 2.42                                 | 2.66 |     |
| e1                      | 0.045                                | 0.055 | 1.15                                 | 1.39 |     |
| L                       | 0.525                                |       | 13.34                                |      |     |
| L1                      | 0.404                                |       | 10.26                                |      |     |
| L2                      | 0.451                                |       | 11.46                                |      |     |
| R                       | 0.045                                | 0.095 | 2.16                                 | 2.41 |     |
| S1                      | 0.045                                | 0.060 | 1.14                                 | 1.52 |     |
| alpha                   | 4°                                   | 6°    | 4°                                   | 6°   |     |
| N                       | 3                                    |       | 3                                    |      |     |

\* Refer to product datasheet for P0D option being used

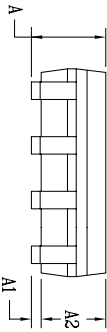
| REVISION HISTORY |                                      |          |       |  |
|------------------|--------------------------------------|----------|-------|--|
| REV.             | DESCRIPTION                          | DATE     | APP'D |  |
| A                | DRAWING ORIGINATOR                   | 12/11/06 | JL    |  |
| B                | ADD LEADS BENDING DIMENSIONS         | 07/29/07 | JL    |  |
| C                | CHANGE DRAWING LOGO AND COMPANY NAME | 11/28/07 | JL    |  |

|   |  |                             |  |
|---|--|-----------------------------|--|
|  |  | <b>EXAR CORPORATION</b>     |  |
| Packaging Approval:   |  | Drawing No:                 |  |
| By: JL Date: 11/28/07   |  | 3 PIN TO-92 PACKAGE OUTLINE |  |
|   |  | Revision: C                 |  |
|   |  | Sheet: 2 OF 2               |  |

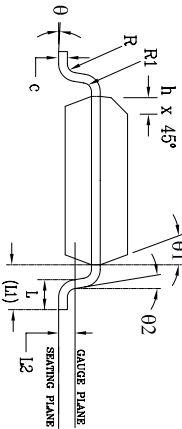
| REVISION HISTORY |                                      | DATE     | APP'D |
|------------------|--------------------------------------|----------|-------|
| REV.             | DESCRIPTION                          |          |       |
| A                | DRAWING ORIGINATION                  | 08/16/05 | JL    |
| B                | DRAWING FORMAT MODIFICATION          | 07/19/06 | JL    |
| C                | CHANGE DRAWING LOGO AND COMPANY NAME | 11/16/07 | JL    |



Top View



Side View



Front View

| 8 Pin SOICN |                                    | JEDEC MS-012 |      | Variation AA                           |           |       |
|-------------|------------------------------------|--------------|------|--|-----------|-------|
| SYMBOLS     | DIMENSIONS IN MM<br>(Control Unit) |              |      | DIMENSIONS IN INCH<br>(Reference Unit) |           |       |
|             | MIN.                               | NOM.         | MAX. | MIN.                                   | NOM.      | MAX.  |
| A           | 1.35                               | —            | 1.75 | 0.053                                  | —         | 0.069 |
| A1          | 0.10                               | —            | 0.25 | 0.004                                  | —         | 0.010 |
| A2          | 1.25                               | —            | 1.65 | 0.049                                  | —         | 0.065 |
| b           | 0.31                               | —            | 0.51 | 0.012                                  | —         | 0.020 |
| c           | 0.17                               | —            | 0.25 | 0.007                                  | —         | 0.010 |
| E           | —                                  | 6.00 BSC     | —    | —                                      | 0.236 BSC | —     |
| E1          | —                                  | 3.90 BSC     | —    | —                                      | 0.154 BSC | —     |
| e           | —                                  | 1.27 BSC     | —    | —                                      | 0.050 BSC | —     |
| h           | 0.25                               | —            | 0.50 | 0.010                                  | —         | 0.020 |
| L           | 0.40                               | —            | 1.27 | 0.016                                  | —         | 0.050 |
| L1          | —                                  | 1.04 REF     | —    | —                                      | 0.041 REF | —     |
| L2          | —                                  | 0.25 BSC     | —    | —                                      | 0.010 BSC | —     |
| R           | 0.07                               | —            | —    | 0.003                                  | —         | —     |
| R1          | 0.07                               | —            | —    | 0.003                                  | —         | —     |
| theta       | 0°                                 | —            | 8°   | 0°                                     | —         | 8°    |
| theta1      | 5°                                 | —            | 15°  | 5°                                     | —         | 15°   |
| theta2      | 0°                                 | —            | —    | 0°                                     | —         | —     |
| D           | —                                  | 4.90 BSC     | —    | —                                      | 0.193 BSC | —     |
| N           | —                                  | 8            | —    | —                                      | 8         | —     |

|        |                |  |               |
|--------|----------------|--|---------------|
|        |                | <b>EXAR CORPORATION</b><br>8 PIN SOICN PACKAGE OUTLINE |               |
|        |                |  |               |
| By: JL | Date: 11/16/07 | Revision: C  | Sheet: 1 OF 1 |

| Part Number        | Accuracy | Output Voltage | Package                  | Shipping    | Status |
|--------------------|----------|----------------|--------------------------|-------------|--------|
| LP2950ACN-L-3-3    | 0.50%    | 3.3V           | Lead Free<br>3 Pin TO-92 | Bulk        | Active |
| LP2950ACN-L-3-3/TR | 0.50%    | 3.3V           | Lead Free<br>3 Pin TO-92 | Tape & Reel | Active |
| LP2950ACN-L-5-0    | 0.50%    | 5.0V           | Lead Free<br>3 Pin TO-92 | Bulk        | Active |
| LP2950ACN-L-5-0/TR | 0.50%    | 5.0V           | Lead Free<br>3 Pin TO-92 | Tape & Reel | Active |
| LP2950CN-L-3-3     | 1%       | 3.3V           | Lead Free<br>3 Pin TO-92 | Bulk        | Active |
| LP2950CN-L-3-3/TR  | 1%       | 3.3V           | Lead Free<br>3 Pin TO-92 | Tape & Reel | Active |
| LP2950CN-L-5-0     | 1%       | 5.0V           | Lead Free<br>3 Pin TO-92 | Bulk        | Active |
| LP2950CN-L-5-0/TR  | 1%       | 5.0V           | Lead Free<br>3 Pin TO-92 | Tape & Reel | Active |
| LP2951ACS-L-3-3    | 0.50%    | 3.3V           | Lead Free<br>8 Pin SOIC  | Bulk        | Active |
| LP2951ACS-L-3-3/TR | 0.50%    | 3.3V           | Lead Free<br>8 Pin SOIC  | Tape & Reel | Active |
| LP2951ACS-L-5-0    | 0.50%    | 5.0V/ADJ       | Lead Free<br>8 Pin SOIC  | Bulk        | Active |
| LP2951ACS-L-5-0/TR | 0.50%    | 5.0V/ADJ       | Lead Free<br>8 Pin SOIC  | Tape & Reel | Active |
| LP2951CS-L-3-3     | 1%       | 3.3V           | Lead Free<br>8 Pin SOIC  | Bulk        | Active |
| LP2951CS-L-3-3/TR  | 1%       | 3.3V           | Lead Free<br>8 Pin SOIC  | Tape & Reel | Active |
| LP2951CS-L-5-0     | 1%       | 5.0V/ADJ       | Lead Free<br>8 Pin SOIC  | Bulk        | Active |
| LP2951CS-L-5-0/TR  | 1%       | 5.0V/ADJ       | Lead Free<br>8 Pin SOIC  | Tape & Reel | Active |

| Part Number      | Accuracy | Output Voltage | Package     | Shipping    | Status |
|------------------|----------|----------------|-------------|-------------|--------|
| LP2950ACN-3-3    | 0.50%    | 3.3V           | 3 Pin TO-92 | Bulk        | EOL    |
| LP2950ACN-5-0    | 0.50%    | 5.0V           | 3 Pin TO-92 | Bulk        | EOL    |
| LP2950CN-3-3     | 1%       | 3.3V           | 3 Pin TO-92 | Bulk        | EOL    |
| LP2950CN-3-3/TR  | 1%       | 3.3V           | 3 Pin TO-92 | Tape & Reel | EOL    |
| LP2950CN-5-0     | 1%       | 5.0V           | 3 Pin TO-92 | Bulk        | EOL    |
| LP2950CN-5-0/TR  | 1%       | 5.0V           | 3 Pin TO-92 | Tape & Reel | EOL    |
| LP2951ACS-3-3    | 0.50%    | 3.3V           | 8 Pin SOIC  | Bulk        | EOL    |
| LP2951ACS-5-0    | 0.50%    | 5.0V/ADJ       | 8 Pin SOIC  | Bulk        | EOL    |
| LP2951CS-3-3     | 1%       | 3.3V           | 8 Pin SOIC  | Bulk        | EOL    |
| LP2951CS-3-3/TR  | 1%       | 3.3V           | 8 Pin SOIC  | Tape & Reel | EOL    |
| LP2951CS-5-0     | 1%       | 5.0V/ADJ       | 8 Pin SOIC  | Bulk        | EOL    |
| LP2951CS-5-0/TR  | 1%       | 5.0V/ADJ       | 8 Pin SOIC  | Tape & Reel | EOL    |
| LP2950ACN-3-3/TR | 0.50%    | 3.3V           | 3 Pin TO-92 | Tape & Reel | OBS    |
| LP2950ACN-5-0/TR | 0.50%    | 5.0V           | 3 Pin TO-92 | Tape & Reel | OBS    |
| LP2951ACS-3-3/TR | 0.50%    | 3.3V           | 8 Pin SOIC  | Tape & Reel | OBS    |
| LP2951ACS-5-0/TR | 0.50%    | 5.0V/ADJ       | 8 Pin SOIC  | Tape & Reel | OBS    |



**Exar Corporation**  
**Headquarters and**  
**Sales Office**  
 48720 Kato Road  
 Fremont, CA 94538  
 main: 510-668-7000  
 fax: 510-668-7030

EXAR Corporation reserves the right to make changes to the products contained in this publication in order to improve design, performance or reliability. EXAR Corporation assumes no responsibility for the use of any circuits described herein, conveys no license under any patent or other right, and makes no representation that the circuits are free of patent infringement. Charts and schedules contained here in are only for illustration purposes and may vary depending upon a user's specific application. While the information in this publication has been carefully checked; no responsibility, however, is assumed for inaccuracies.

EXAR Corporation does not recommend the use of any of its products in life support applications where the failure or malfunction of the product can reasonably be expected to cause failure of the life support system or to significantly affect its safety or effectiveness. Products are not authorized for use in such applications unless EXAR Corporation receives, in writing, assurances to its satisfaction that: (a) the risk of injury or damage has been minimized; (b) the user assumes all such risks; (c) potential liability of EXAR Corporation is adequately protected under the circumstances.