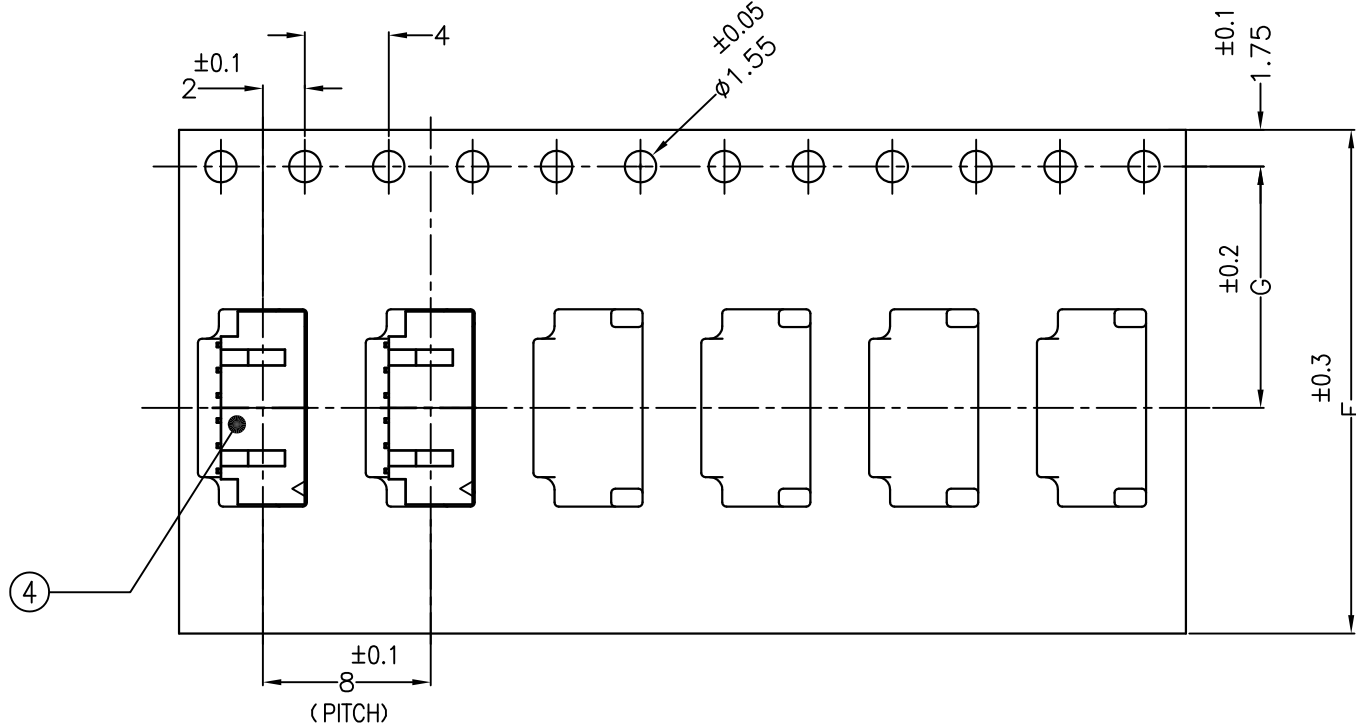
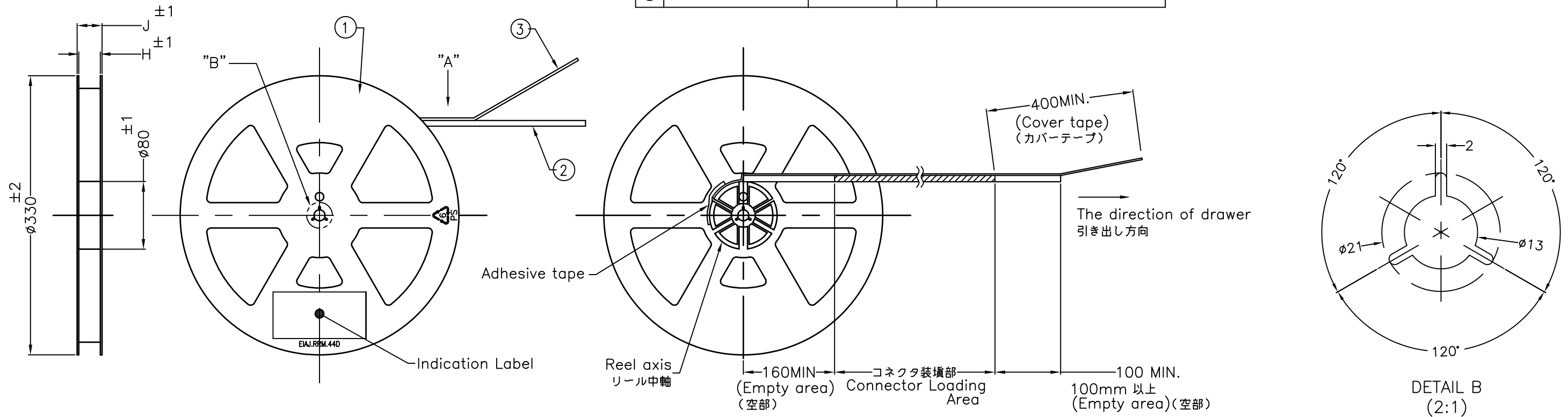


PRODUCT NO.	Finish	No. of Contact	Status
10125839-03RAEHLF	Au	3 pos	
10125839-04RAEHLF	Au	4 pos	
10125839-06RAEHLF	Au	6 pos	

PARTS TABLE 部品表

No.	PART NAME	MATERIAL	QTY.	NOTE
①	THE REEL FOR PACKAGING	POLYSTYRENE	1	Color : WHITE or BLACK ELECTRIFICATION PREVENTION PROCESSING
②	EMBOSS TAPE	PP or PET	1	ELECTRIFICATION PREVENTION PROCESSING
③	COVER TAPE	POLYESTER	1	
④	CONNECTOR	SEE SHEET 2	2,000	

EMBOSS PACKAGE



- NOTE
1. THIS ARTICLE CARRIES OUT THE EMBOSS TAPE PACKAGE OF THE CONNECTOR FOR 1.2mm PITCH WIRE TO BOARD CONNECTOR.
 2. THE SHAPE AND DIMENSION OF THIS ARTICLE ARE BASED ON JIS C 0806. (TAPING OF ELECTRIC PARTS < SURFACE MOUNTED DEVICE)
 3. PACKAGING SPEC. : REFER TO GS-14-2360
 4. PRODUCT SPEC. : REFER TO GS-12-1189

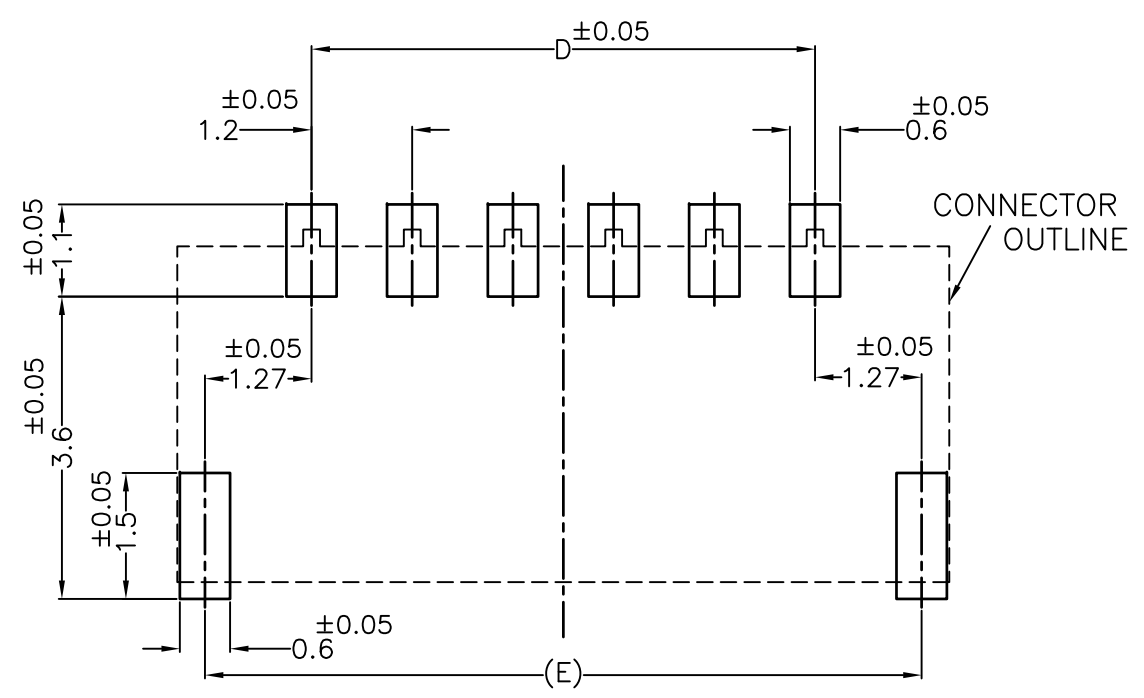
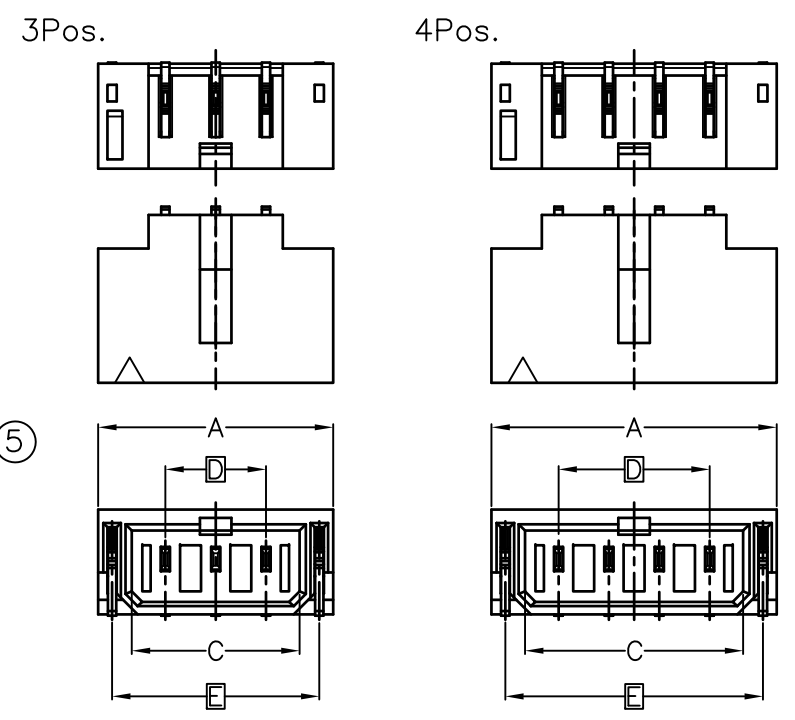
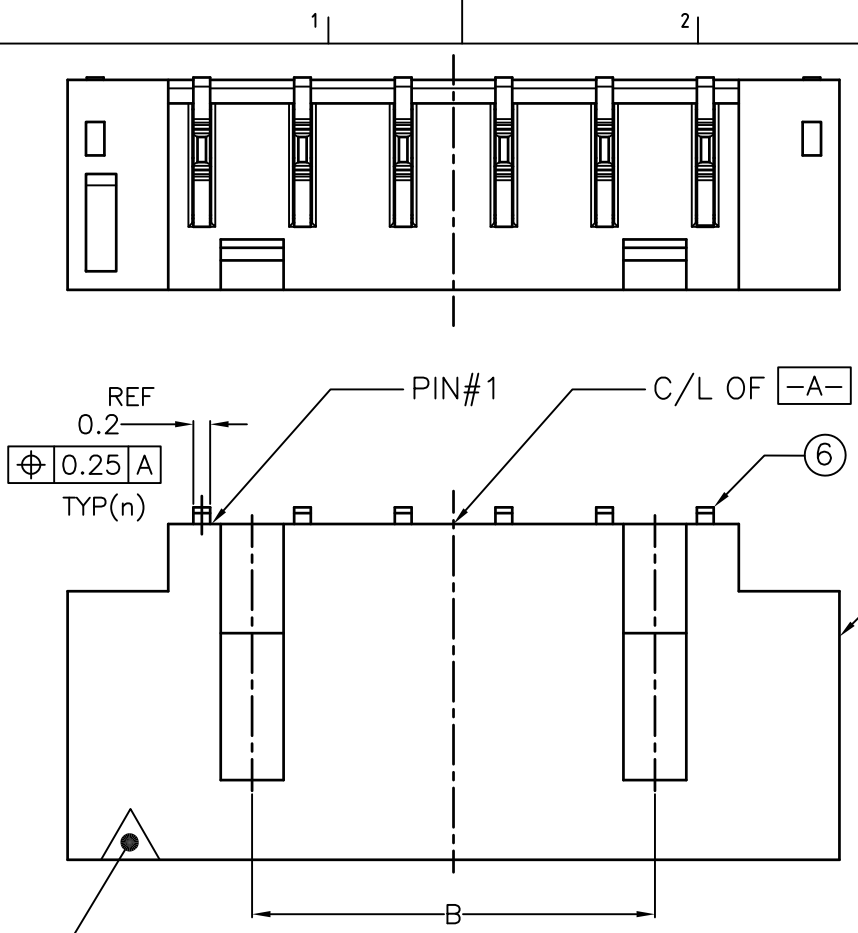
29.5	25.5	11.5	24	10125839-06RAEHLF
21.5	17.5	7.5	16	10125839-04RAEHLF
21.5	17.5	7.5	16	10125839-03RAEHLF
J	H	G	F	PRODUCT NO.

mat'l. code		surface		tolerance		projection		product family		CODE	
		ISO 1302		ISO 406		ISO 1101				JP	
ltr	description	ecn no	dr	date	tolerances unless otherwise specified	angles	linear	mm	title		
A	RELEASED		Y.K	2013-12-17	0.X ±0.2	±2'	0.XX ±0.2	scale 10:1	RECEPTACLE ASSEMBLY		
B	REVISED	ELX-J-16537	Y.K	2013-12-17	0.XXX ±0.2				FOR 1.2mm PITCH WTB CONNECTOR		
					dr	Y.KAMEDA	2013-10-25		dwg no		sheet 1 of 2 size
					enr	Y.KAMEDA	2013-10-25		10125839		A3
					chr	H.SUZUKI	2013-10-25		type		Product Customer Drawing
					appd	N.SASAME	2013-10-25				Rev.
sheet index	revision sheet	B	B								B
		1	2								

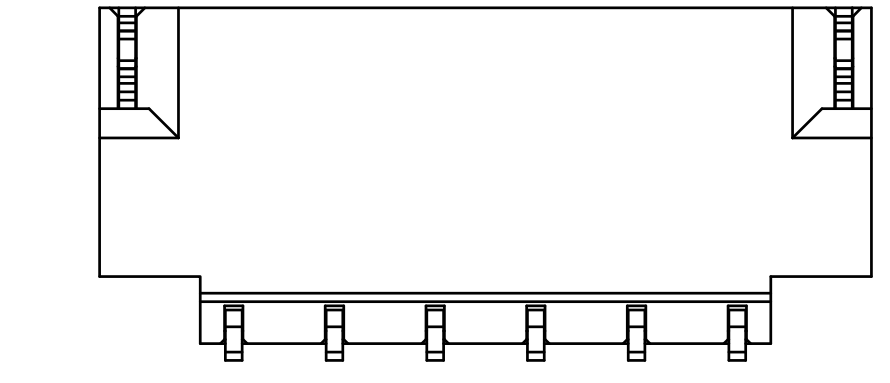
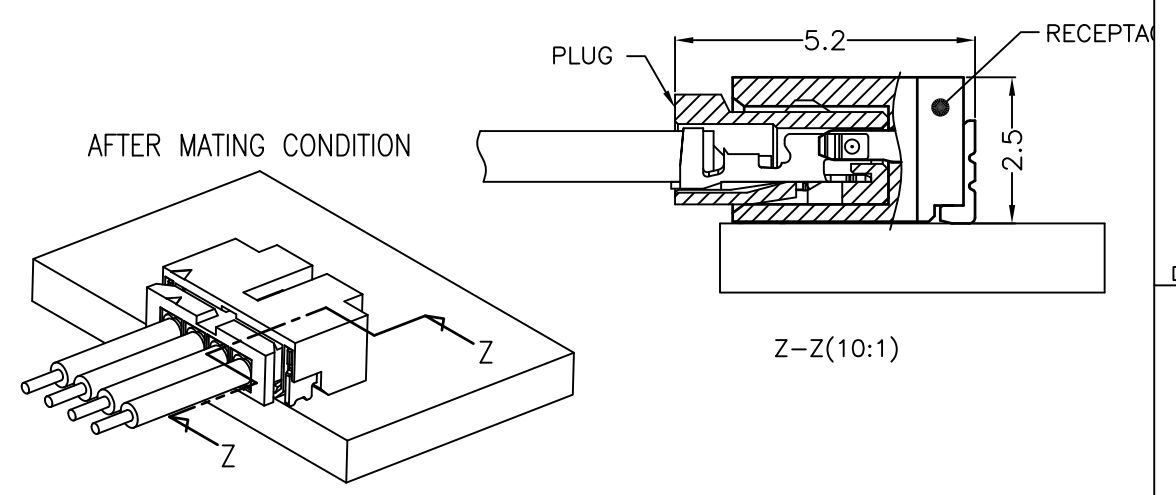
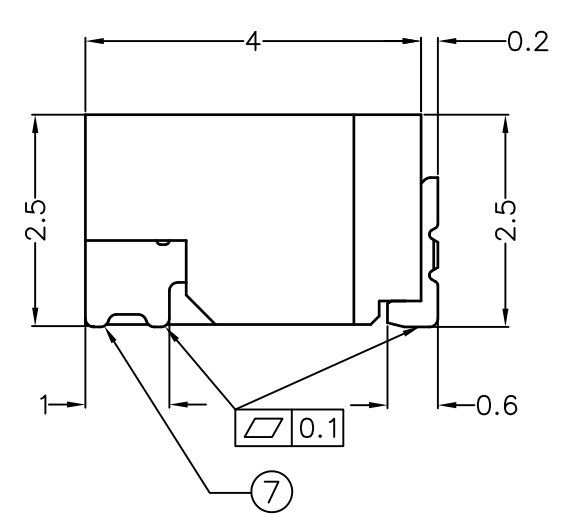
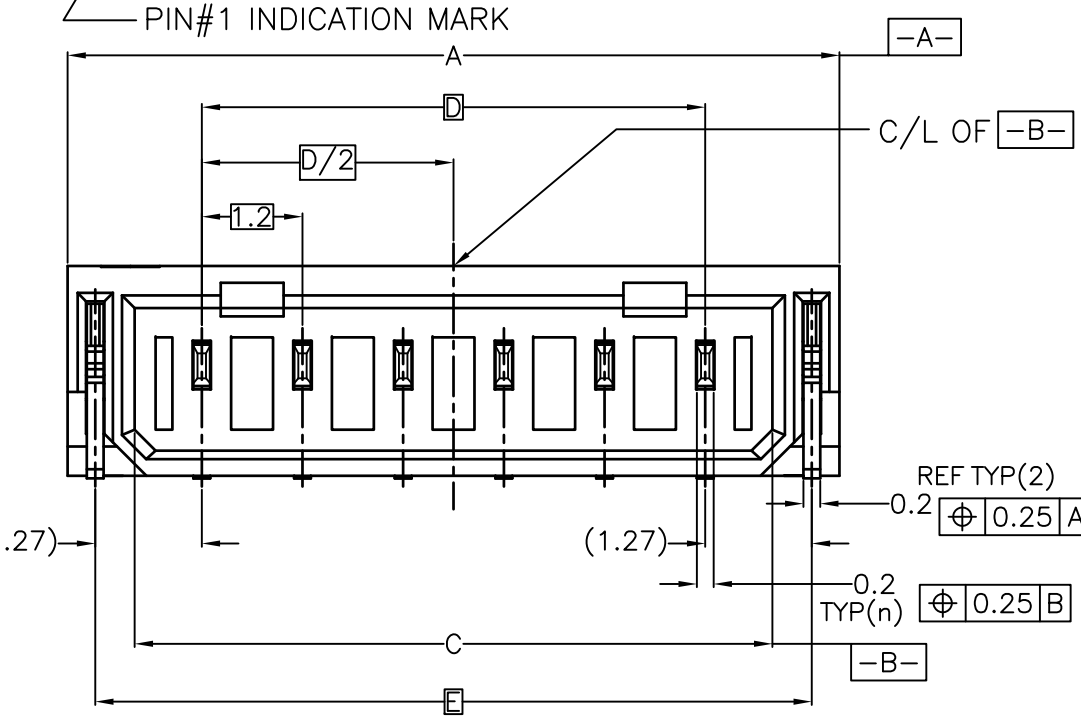
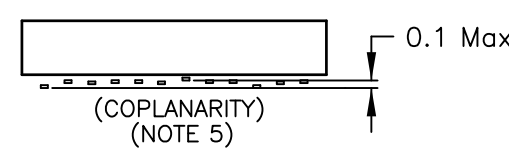
VIEW A (FREE)



Copyright FCJ



NOTE
 5. CONTACT COPLANARITY : 0.1 MAX.
 6. This product meets European Union Directives and other country regulations as described in GS-22-008



CONNECTOR ASSY

PARTS TABLE (CONNECTOR) n=Number of Contacts

No.	PART NAME	QTY.	NOTE
⑤	HOUSING	1	HIGH TEMP THERMOPLASTIC(LCP) COLOR : BLACK , UL94V-0, HALOGEN FREE
⑥	CONTACT	n	COPPER ALLOY UNDER PLATING : Ni 3±2um ALL OVER CONTACT AREA : Au 0.1um MIN SOLDERING AREA : Au 0.05um MIN
⑦	FIXING TAB	2	COPPER ALLOY TIN PLATING 1~4um UNDER PLATING : Ni 3±2um ALL OVER

Au	8.54	6	7.6	4.8	9.2	10125839-06RAHLF
Au	6.14	3.6	5.2	-	6.8	10125839-04RAHLF
Au	4.94	2.4	4.0	-	5.6	10125839-03RAHLF
Finish	E	D	C	B	A	PRODUCT NO.

mat'l. code		surface		tolerance		projection		product family		CODE	
		ISO 1302		ISO 406		ISO 1101				JP	
lfr	description	ecn no	dr	date	tolerances unless otherwise specified		mm		title		
A	RELEASED		Y.K	2013-12-17	0.X	±0.2	mm		RECEPTACLE ASSEMBLY		
B	REVISED	ecm-J-18537	Y.K	2013-12-17	angles	0.XX ±0.2	mm		FOR 1.2mm PITCH WTB CONNECTOR		
					±2'	0.XXX ±0.2	scale 16:1		dwg no		
					dr	Y.KAMEDA	2013-10-25	sheet 2 of 2		size	
					enr	Y.KAMEDA	2013-10-25	10125839		A3	
					chr	H.SUZUKI	2013-10-25	type		Product Customer Drawing	
					appd	N.SASAME	2013-10-25	Rev.		B	
sheet index	revision sheet										

FCJ
 FCconnect.com
 Copyright FCJ