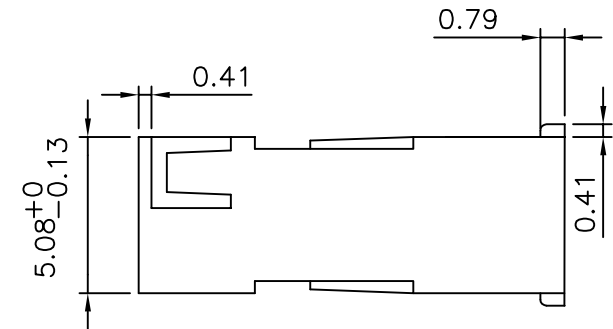
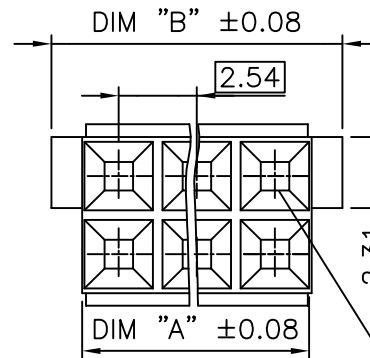
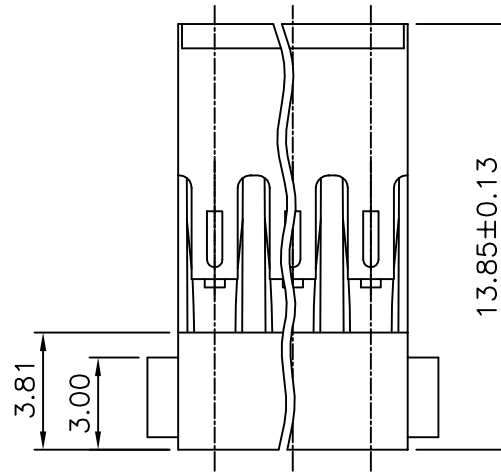


PRODUCT NUMBER	No. OF POS.	DIM "A"	DIM "B"
68105-001LF	2x02	4.93	6.93
68105-002LF	2x03	7.47	9.47
68105-003LF	2x04	10.01	12.01



SQUARE 0.93 TYP REF

NOTES:

- MOLDING MATERIAL : POLYAMID (PA 66), COLOR BLACK 25% GLASS FILLED, UL 94 V0
- STANDARD PACKAGING IN POLYBAGS
- TERMINALS MUST BE CRIMPED PROPERLY FOR SATISFACTORY LATCHING :
- FOR CRIMPING INSTRUCTIONS, SEE TA-75
- FOR TERMINAL APPLICATION SEE TA-531.
PRODUCT SPECIFICATION: BUS-12-067.
- THIS HOUSING IS INTENDED FOR USE WITH MINI PV TERMINAL WITH 22-36 GAUGE WIRE
- PRODUCT MEETS EUROPEAN UNION DIRECTIVES AND OTHER COUNTRY REGULATIONS AS DESCRIBED IN GS-22-008.
- THE PRODUCT IS NOT INTENDED TO BE EXPOSED TO A MANUFACTURING SOLDER PROCESS.

mat'l. code		surface		tolerance		projection		product family	
SEE NOTES		ISO 1302		ISO 406 ISO 1101				BERCONN	
ltr	ecn no	dr	date	tolerances unless otherwise specified		mm		title	
G	V08-0097	HTB	08.02.25	angles	linear			MINI LATCH DR	
H	F11-0099	LMU	11.09.05			scale 5:1		POLARIZED HSG 2.54mm	
				dr	L.MULIN	11.05.19			dwg no
				enr	L.MULIN	11.05.19	sheet 1 of 1		size
				chr			68105		A3
				appd	L.MU	11.05.19	type		CUSTOMER Drawing
sheet index	revision sheet								