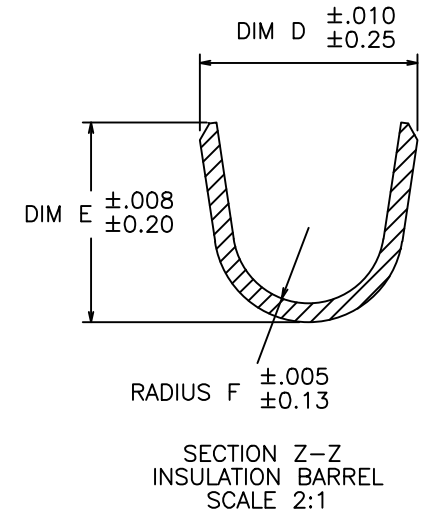
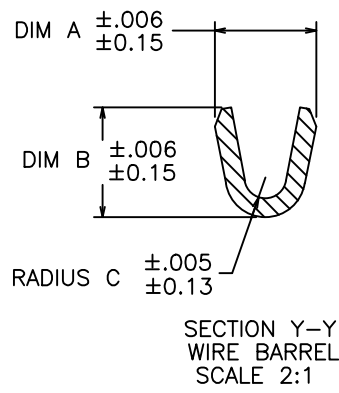
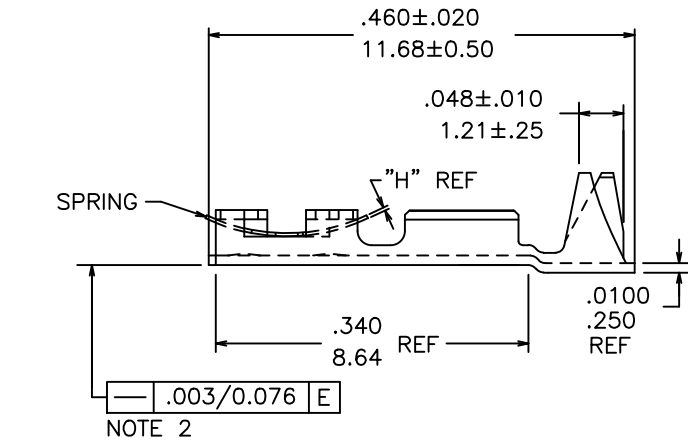
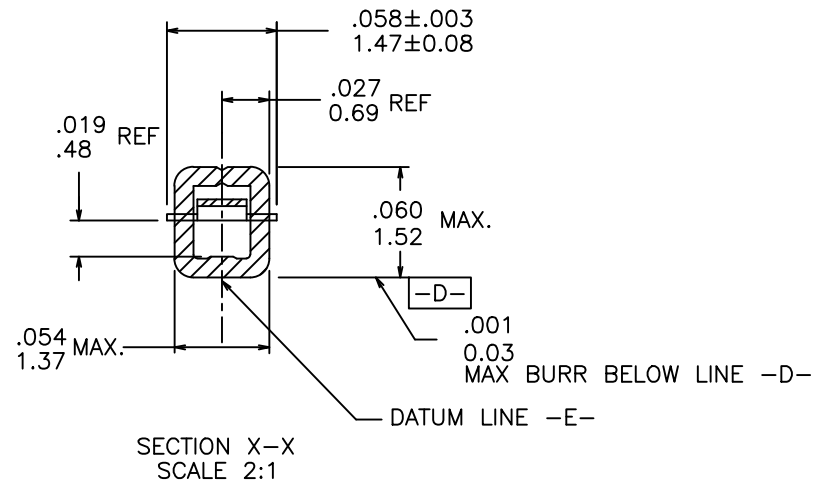
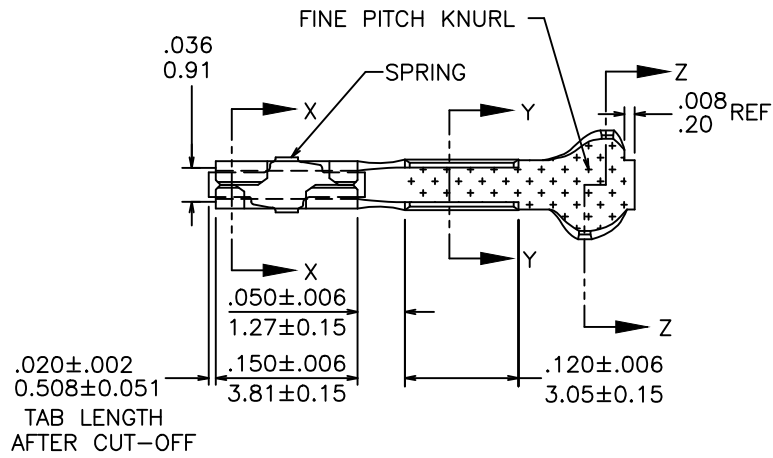


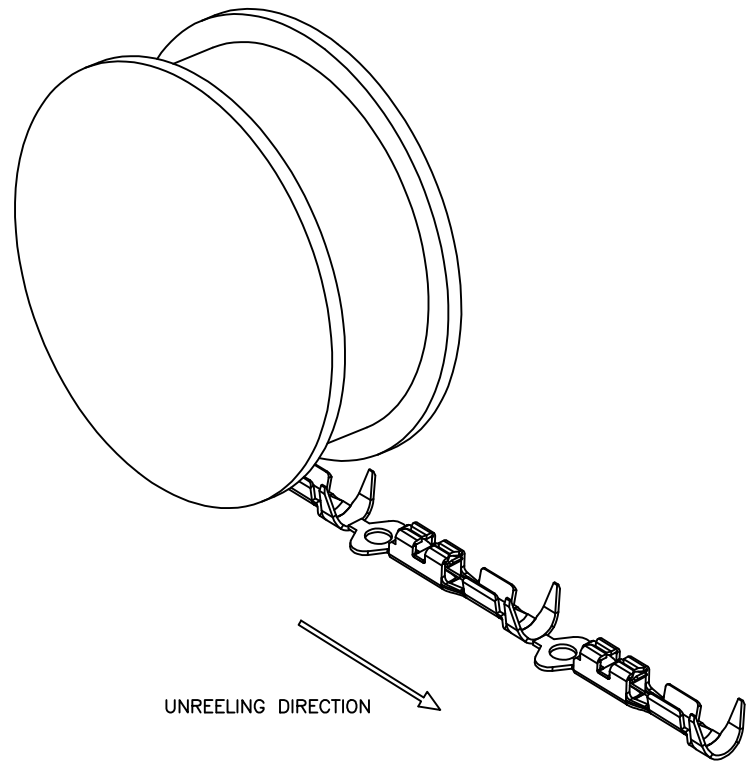
PRODUCT NUMBER
SEE SHEET 3



NOTE 2
— .003/0.076 E

mat'l. code SEE TABLE		surface	tolerance	projection	product family PV TERMINALS
ltr	ecn no	dr	date	tolerances unless otherwise specified	title
AN	V12-0006	HTB	12.01.05	linear .XX±.01/.X±.3	MINI PV™ RECEPTACLE CRIMP TO WIRE
AP	F-21694	AMA	15.08.18	linear .XXX±.005/.XX±.13	
AR	F-25007	DDE	16.09.22	linear .XXXX±.0020/.XXX±.13	
				linear .XXXX±.0020/.XXX±.13	
		dr	A.MAISIERES	15.07.16	dwg no
		enr	L.MULIN	15.07.16	sheet 1 of 5
		chr			size
		appd	L.MULIN	15.07.16	47212
					A3
					type
					Product Customer Drawing
sheet index	revision sheet	AR	AR	AR	AR
		1	2	3	4

PRODUCT NUMBER SEE SHEET 3	WIRE BARREL			INSULATION BARREL				RECOMMENDED HANDTOOL FOR LOOSE PIECE APPLICATION	
	AWG RANGE	DIM A	DIM B	RADIUS C	INSULATION DIAMETER RANGE	DIM D	DIM E		RADIUS F
	18-20	.104/2.64	.104/2.64	.021/.53	.042/1.07-.103/2.62	.139/3.53	.120/3.05	.050/1.27	HT-0073
	22-26	.070/1.78	.070/1.78	.017/.43	.036/.91-.103/2.62	.139/3.53	.120/3.05	.050/1.27	HT-0095
	28-32	.054/1.37	.058/1.47	.011/.28	.028/.71-.054/1.37	.115/2.92	.105/2.67	.040/1.02	



NOTES:

1. TERMINAL MATES WITH $.025 \pm .002 / 0.64 \pm 0.05$ SQUARE OR ROUND PIN.
- ② WHEN MEASURED ALONG DATUM -E- WITHIN $.340 / 8.64$ REF DIM.
3. PRODUCT SPECIFICATION: BUS-12-067.
APPLICATION SPECIFICATIONS:
 TA-75: TERMINAL DATA FOR USE WITH MINI LATCH HOUSING.
 TA-146: TERMINAL DATA FOR CONTACTS NOT USED IN HOUSINGS.
 TA-210: TERMINAL DATA FOR CONTACTS USED WITH MINI ROD HOUSINGS.
 TA-228: APPLICATIONS USING 20 AWG WIRE.
 TA-531: INSTALLING AND REMOVING TERMINALS.
- ④ PRODUCT MEETS EUROPEAN UNION DIRECTIVES AND OTHER COUNTRY REGULATIONS AS DESCRIBED IN GS-22-008.
5. THIS PRODUCT IS NOT INTENDED TO BE EXPOSED TO MANUFACTURING SOLDERING PROCESSES.
- ⑥ THIS PRODUCT HAS 100% TIN PLATING IN THE INTERFACE AND HAS NOT BEEN TESTED FOR WHISKER GROWTH IN ALL INTERCONNECT ENVIRONMENTS.
- ⑦ CONTACT SIDE OF TERMINAL WILL HAVE $50 \mu\text{m} / 1.27 \mu\text{m}$ NICKEL UNDERPLATE OVERALL WITH GOLD FLASH REQUIRED INSIDE CONTACT BOX AND WIRE BARREL ONLY. BACKSIDE OF TERMINALS TO BE PLATED WITH $30 \mu\text{m} / 0.76 \mu\text{m}$ NICKEL ONLY.

FCI
 FCIconnect.com
 Copyright FCI

mat'l. code SEE TABLE		surface <input checked="" type="checkbox"/>	tolerance	projection	product family PV TERMINALS
ltr	ecn no	dr	date	tolerances unless otherwise specified	title
AN	V12-0006	HTB	12.01.05	angles linear .XX±.01/.X±.3	MINI PV™ RECEPTACLE CRIMP TO WIRE
AP	F-21694	AMA	15.08.18	.XXX±.005/.XXX±.13	
AR	F-25007	DDE	16.09.22	.XXX±.0020/.XXX±.13	INCH/MM SCALE 1:1
		dr	A.MAISIERES	15.07.16	
		enr	L.MULIN	15.07.16	
		chr			
		app	L.MULIN	15.07.16	dwg no
sheet	revision				47212
index	sheet				sheet 2 of 5 size A3
					type Product Customer Drawing

MATERIAL & PLATING		SPRING THICKNESS DIM H±.0005/0.012	AWG RANGE	REELED NOTE 4	LOOSE NOTE 4	PLATING AVAILABILITY							
1/4 HARD BRASS BODY	Be/Cu SPRING					-000	-000LF	-001	-001LF	-002	-002LF		
CONTACT AREA UNDERPLATING: 50μ"/1.27μ Ni CONTACT AREA: 15μ"/0.38μ Au INSIDE BOX AREA: -000LF Au FLASH -001LF 15μ"/0.38μ Au -002LF 6μ"/0.15μ Au REMAINDER: -000LF SEE NOTE 7 -001LF 15μ"/0.38μ Au -002LF Au FLASH	Au FLASH	.0035/0.089	18-20	48241	48250	NO	YES	NO	NO	NO	NO		
			22-26	48242	48251	NO	YES	NO	NO	NO	NO		
			28-32	48243	48252	NO	YES	NO	NO	NO	NO		
		.0048/0.122	18-20	48244	48253	NO	YES	NO	NO	NO	NO		
			22-26	48245	48254	NO	YES	NO	NO	NO	NO		
			28-32	48246	48255	NO	YES	NO	NO	NO	NO		
		.0065/0.165	18-20	48247	48256	NO	YES	NO	NO	NO	NO		
			22-26	48248	48257	NO	YES	NO	NO	NO	NO		
			28-32	48249	48258	NO	YES	NO	NO	NO	NO		
		CONTACT AREA UNDERPLATING: 50μ"/1.27μ Ni CONTACT AREA: 30μ"/0.76μ Au INSIDE BOX AREA: -000LF Au FLASH -001LF 30μ"/0.76μ Au -002LF 8μ"/0.2μ Au REMAINDER: -000LF SEE NOTE 7 -001LF 30μ"/0.76μ Au -002LF Au FLASH	Au FLASH	.0035/0.089	18-20	48231	48266	NO	YES	NO	NO	NO	NO
					22-26	48049	48235	NO	YES	NO	NO	NO	YES
					28-32	48048	48238	NO	YES	NO	NO	NO	YES
.0048/0.122	18-20			48047	48232	NO	YES	NO	NO	NO	YES		
	22-26			48046	48234	NO	YES	NO	NO	NO	YES		
	28-32			48045	48237	NO	YES	NO	NO	NO	YES		
.0065/0.165	18-20			48052	48233	NO	YES	NO	NO	NO	YES*		
	22-26			48051	48236	NO	YES	NO	NO	NO	YES		
	28-32			48050	48239	NO	YES	NO	NO	NO	YES		

* LOOSE PIECE NOT AVAILABLE

mat'l. code SEE TABLE		surface	tolerance	projection	product family PV TERMINALS
ltr	ecn no	dr	date	tolerances unless otherwise specified	title
AN	V12-0006	HTB	12.01.05	angles linear .XX±.01/.X±.3	MINI PV™ RECEPTACLE CRIMP TO WIRE
AP	F-21694	AMA	15.08.18	linear .XXX±.005/.XXX±.13	
AR	F-25007	DDE	16.09.22	linear .XXX±.0020/.XXX±.05	
		dr	A.MAISIERES	15.07.16	FCJ
		enr	L.MULIN	15.07.16	
		chr			
		app	L.MULIN	15.07.16	type Product Customer Drawing
sheet index	revision sheet				



Copyright FCJ

1 MATERIAL & PLATING		2 3 SPRING THICKNESS		AWG	REELED	LOOSE	4 5 PLATING AVAILABILITY					6	
1/4 HARD BRASS BODY	Be/Cu SPRING	DIM H±.0005/0.012		RANGE	NOTE 4	NOTE 4	-000	-000LF	-001	-001LF	-002	-002LF	
CONTACT AREA UNDERPLATING: 50µ"/1.27µ Ni CONTACT AREA: 40µ"/1.02µ Au INSIDE BOX AREA: -000LF Au FLASH -001LF 8µ"/0.2µ Au -002LF 8µ"/0.2µ Au REMAINDER: -000LF SEE NOTE 7 -001LF 8µ"/0.2µ Au -002LF Au FLASH	Au FLASH	.0035/0.089	18-20	48276	N/A	NO	NO	NO	NO	NO	NO	YES	
			22-26	47457	47743	NO	YES	NO	YES	NO	YES	NO	YES
			28-32	47456	47742	NO	YES	NO	YES	NO	YES	NO	YES
		.0048/0.122	18-20	47441	47713	NO	YES	NO	YES	NO	YES	NO	YES
			22-26	47439	47712	NO	YES	NO	YES	NO	YES	NO	YES
			28-32	47437	47711	NO	YES	NO	YES	NO	YES	NO	YES
		.0065/0.165	18-20	47566	47746	NO	YES	NO	YES	NO	YES	NO	YES
			22-26	47565	47745	NO	YES	NO	YES	NO	YES	NO	YES
			28-32	47564	47744	NO	YES	NO	YES	NO	YES	NO	YES
DISCONTINUED					48191	48194							
DISCONTINUED					48192	48195							
DISCONTINUED					48193	48196							
CONTACT AREA UNDERPLATING: 50µ"/1.27µ Ni CONTACT AREA: 75µ"/1.91µ Au INSIDE BOX AREA: -000LF Au FLASH -001LF 75µ"/1.91µ Au -002LF 30µ"/0.76µ Au REMAINDER: -000LF SEE NOTE 7 -001LF 75µ"/1.91µ Au -002LF 15µ"/0.38µ Au	Au FLASH	.0035/0.089	18-20	47785	48014	NO	YES	NO	NO	NO	NO	NO	
			22-26	47216	47706	NO	YES	NO	NO	NO	NO	NO	NO
		.0048/0.122	28-32	47212	47705	NO	YES	NO	NO	NO	NO	NO	NO



FCJconnect.com

Copyright FCJ

mat'l. code SEE TABLE		surface	tolerance	projection	product family
ltr ecn no dr date		tolerances unless otherwise specified			PV TERMINALS
AN	V12-0006	HTB	12.01.05	INCH/MM	title
AP	F-21694	AMA	15.08.18	linear	MINI PV™ RECEPTACLE
AR	F-25007	DDE	16.09.22	linear	CRIMP TO WIRE
		dr	A.MAISIERES	15.07.15	scale 1:1
		enr	L.MULIN	15.07.15	dwg no
		chr			sheet 4 of 5
		app	L.MULIN	15.07.15	size
sheet	revision				type
index	sheet				Product Customer Drawing



form: A3

MATERIAL & PLATING		SPRING THICKNESS DIM H±.0005/0.012	AWG RANGE	REELED NOTE 4	LOOSE NOTE 4	PLATING AVAILABILITY					
1/4 HARD BRASS BODY	Be/Cu SPRING					-000	-000LF	-001	-001LF	-002	-002LF
PRE-PLATED: -000LF 100-160µ" 2.54-4.06µ Sn (LEAD-FREE) NOTE 6	Sn PLATED	.0035/0.089	22-26	47445	47747	NO	YES	NO	NO	NO	NO
			28-32	47446	47748	NO	YES	NO	NO	NO	NO
		.0048/0.122	18-20	47221	47716	NO	YES	NO	NO	NO	NO
			22-26	47217	47715	NO	YES	NO	NO	NO	NO
			28-32	47213	47714	NO	YES	NO	NO	NO	NO
			18-20	47648	47749	NO	YES	NO	NO	NO	NO
		.0065/0.165	22-26	47649	47750	NO	YES	NO	NO	NO	NO
			28-32	47650	47751	NO	YES	NO	NO	NO	NO



Copyright FCI

mat'l. code SEE TABLE		surface	tolerance	projection	product family
litr ecn no dr date		tolerances unless otherwise specified			PV TERMINALS
AN	V12-0006	HTB	12.01.05	INCH/MM	title MINI PV™ RECEPTACLE CRIMP TO WIRE
AP	F-21694	AMA	15.08.18	linear	
AR	F-25007	DDE	16.09.22	linear	dwg no 47212 sheet 5 of 5 size A3
sheet index		dr	A.MAISIERES	15.07.15	type Product Customer Drawing
revision sheet		enr	L.MULIN	15.07.15	
		chr			
		app	L.MULIN	15.07.15	