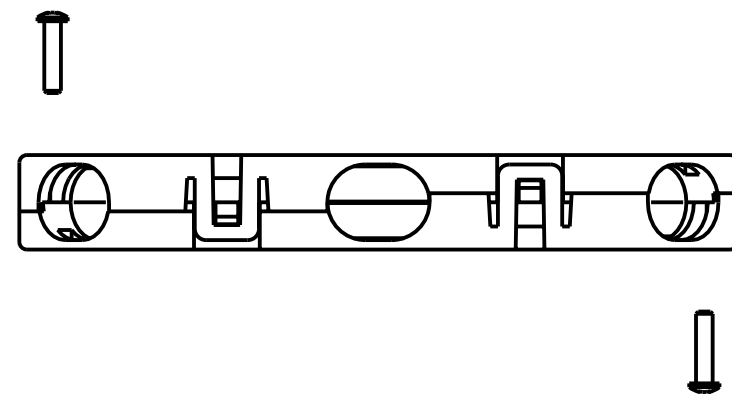
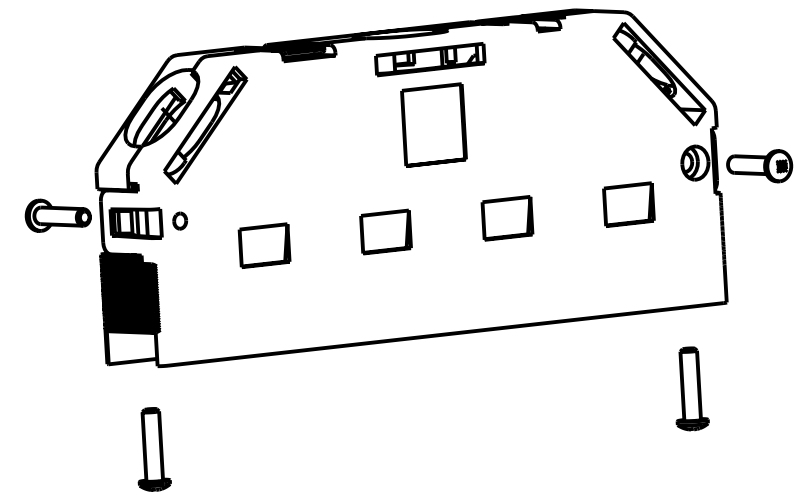
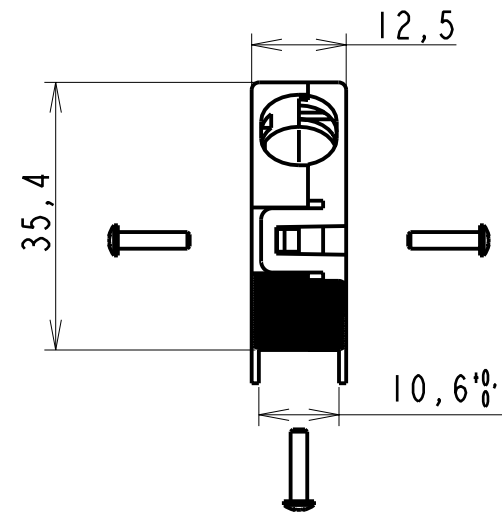
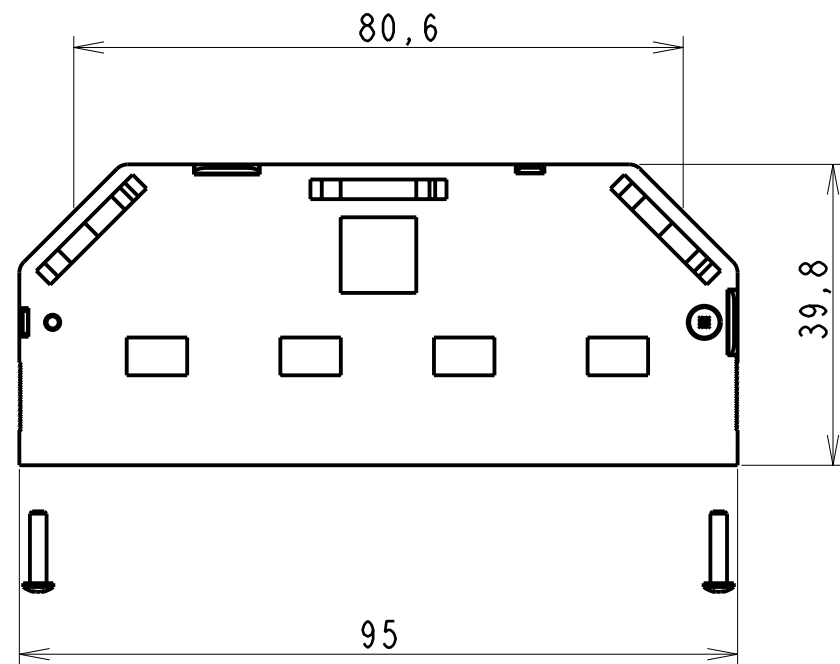


PACKAGING:  
Each P/N consists of 2 half hoods and 4 screws



NOTE: RoHS INFORMATIONS

- The "LF" product meets European union Directives and other country regulations as described in GS-22-008.
- The product is not intended to be exposed to a manufacturing solder process.
- Packaging spec: see GS-14-920.

Part Number **8609-3159ALF**

www.fciconnect.com		surface ISO 1302	tolerance std ISO 406 ISO 1101	projection mm
		TOLERANCES UNLESS OTHERWISE SPECIFIED		mm
Dr	GOISNARD	2005-10-17	ANGULAR	0.X ±0.3
Eng	TARON	2005-10-17	LINEAR	0.XX ±0.1
Chr	LEGARE	2005-10-17	0° ±2°	0.XXX ±0.05
Appr	LEGARE	2005-10-17	Product family	DIN Spec ref
FCi		title CAPOT DIN 41612		dwg no C-8609-1195
		POUR CONNECTEUR 96 POINTS		Rev. B
		catalog no		CUSTOMER sheet 1 of 1

rev	ecn no	dr	date
A	LS05-0086	HLE	2005-10-17
B	LS06-0208	LGO	2006/12/12
-	-	-	-
-	-	-	-
-	-	-	-
-	-	-	-