

PRODUCT NUMBER	NUMBER OF POS.	DIM A	DIM B	DIM C	DIM D	DIM E	DIM F	DIM G	LOADED POSITION	HOUSING COLOR	PRODUCT FIGURE	PLATING	
												PLATING CODE X	PLATING
87180-X44/-X44LF/-X44HLF	4	3.05	3.81	7.62	11.20	3.05	5.50	7.87	ALL POS.	BLACK	FIGURE 1	0	5u" Au + high performance lubricant
87180-X42/-X42LF/-X42HLF									2,3			1	15u" G.X.T.
87180-X66/-X66LF/-X66HLF									ALL POS.			2	20u" GFDP
87180-X64/-X64LF/-X64HLF	2,3,4,5	3	5u" Au + high performance lubricant										
87180-X64A/-X64ALF/-X64AHLF	1,2,5,6												
87180-X62/-X62LF/-X62HLF	3,4	4	15u" G.X.T.										
87180-X88/-X88LF/-X88HLF	8	7.11	8.89	11.43	15.24	4.06	6.30	11.94	ALL POS.	BLACK	FIGURE 2	5	50u" G.X.T.
87180-X88E/-X88ELF									ALL POS.			6	6u" G.X.T.
87180-X86/-X86LF/-X86HLF									2,3,4,5,6,7			7	2u" G.X.T.
87180-X84/-X84LF/-X84HLF									3,4,5,6				
87180-X84A/-X84ALF/-X84AHLF									1,4,5,8				
87180-X84B/-X84BLF/-X84BHLF									1,2,3,6				
87180-X84C/-X84CLF/-X84CHLF									1,2,7,8				
87180-X88G/-X88GLF									ALL POS.				
87180-X84GSLF/-X84GSHLF									3,4,5,6			GREY	

⑪

⑪

OBSOLETE(AE)

NOTE 7 BERG MFG SLTE CODE

LEAD FREE PRODUCT NO.
MEETS PIP PROCESS PRODUCT NO.

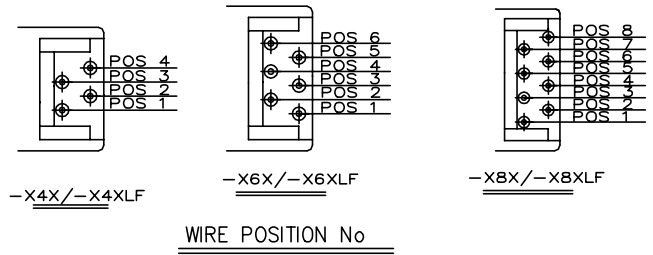
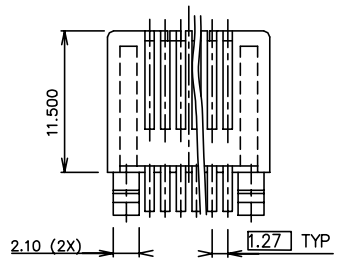
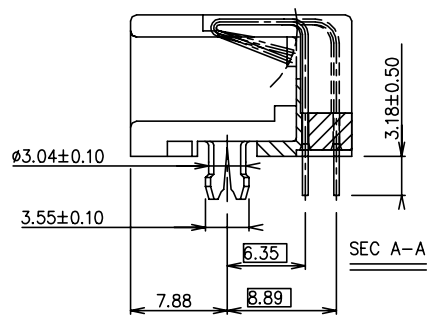
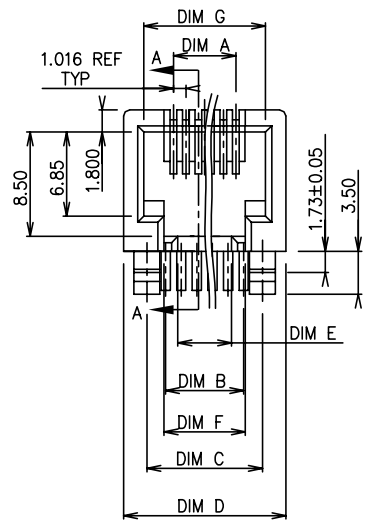
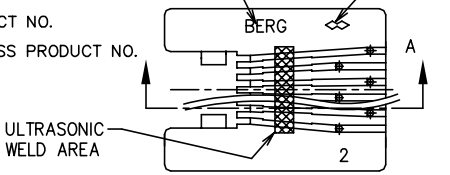


FIGURE 1 - 4 & 6 POS. TYPES.

mat'l. code		surface ISD1302 ✓		tolerance ISD1101 ISD406		projection		product family MOD JACK	
ltr ecn nodr		date		tolerances unless otherwise specified		title		LOW PROFILE PCB III HORZ MOD JACK, FOR 1.6MM P.C.B.	
AA	N06-0043	DT	02/20/06	angle	0.X±0.3	mm		scale 2.0	
AB	N08-0097	SH	08/13/08	line	0.XX±0.15			dwg no 87180 sheet 1 of 2 size A4	
AC	N08-0170	SH	09/25/08	0'±2'	0.XXX±0.05			type Product Customer Drawing	
AD	ELX-N-01067	SH	MMO 3/14/12	dr	KCHOU 10/19/93	FCI			
				enr	TONY CHIEN 10/19/93				
				chr	TONY CHIEN 10/19/93				
				app	JENN TSAO 10/19/93				
sheet index	revisior	AD	AD						
	sheet	1	2						

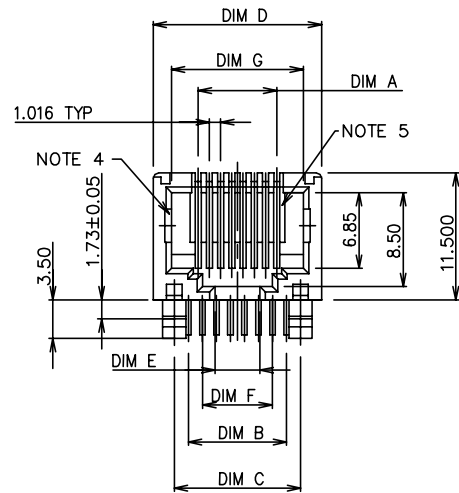
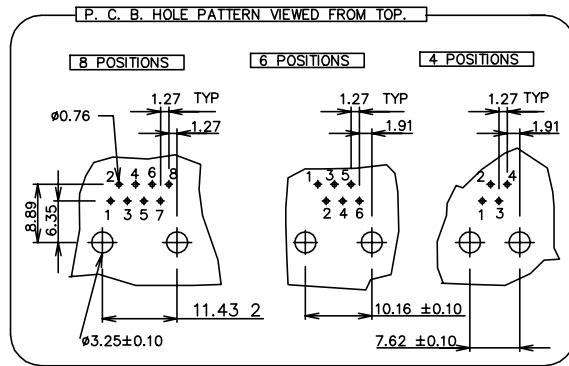
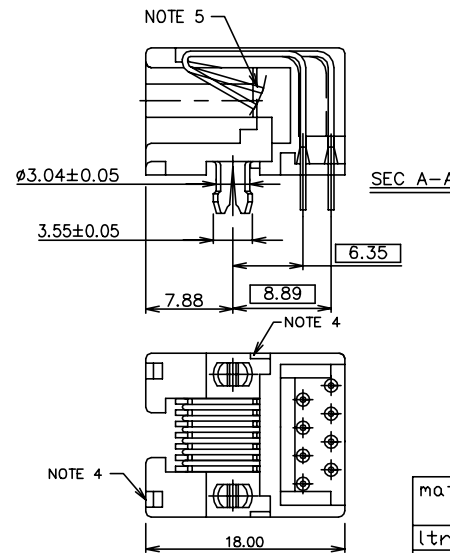
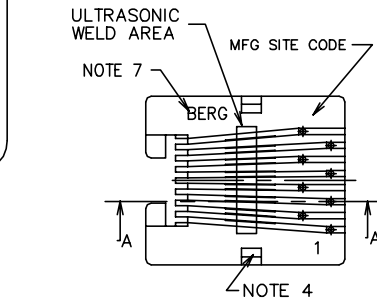
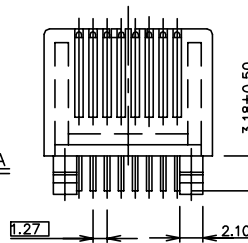


FIGURE 2- 8 POS TYPE.



NOTES:

1. RECOMMENDED P.C.B THICKNESS 1.60 MM
2. HOUSING MAT'L: NYLON 6/6, 25% GLASS REINFORCED, UL94-V0, COLOR : SEE TABLE.
3. CONTACTS: PHOS BRONZE ALLOY UNS-C51000, 0.460DIA. ROUND WIRE. PLATING SEE TABLE.
- ④ APPEARS ON 8 POS TYPE (P/N 87180-X8X) ONLY.
- ⑤ PROTRUDED SHELF ONLY APPEARS ON 8-POS JACK.
6. STANDARD PACKAGING METHOD(USE TUBE): SEE GES-14-361.
- ⑦ COMPANY LOGO CAN BE "BERG" OR "DU PONT", AND WOULD APPEAR IN THE SAME SHIPMENT UNLESS LOGO SPEC HEREIN IS UPDATED.
8. THE PRODUCT MEETS EUROPEAN UNION DIRECTIVES AND OTHER COUNTRY REGULATIONS AS DESCRIBED IN GS-22-008.
9. THE HOUSING WILL WITHSTAND EXPOSURE TO 260°C PEAK TEMPERATURE FOR 10 SECONDS IN A WAVE SOLDER APPLICATION WITH A 1.60mm MINIMUM THICK CIRCUIT BOARD.
10. IF LF P/N PACKAGING MEETS GS-14-920 SPECIFICATION.
- ⑪ EQUIVALENT THICKNESS Au AND GXT PLATING HAVE SAME FUNCTION AND THEY ARE ALTERNATIVE BY THE CUSTOEMR .



mat'l. code		surface ISO1302 ✓		tolerance ISO1101 ISO406		projection ④		product family MOD JACK	
l trechn nodr		date		tolerances unless other		mm		title	
AA	N06-0043	DT	02/20/06	angle	0.X±0.3	scale 2.0		LOW PROFILE PCB III HORZ	
AB	N08-0097	SH	08/13/08	0°±2'	0.XX±0.15			MOD JACK, FOR 1.6MM P.C.B.	
AC	N08-0170	SH	09/25/08		0.XXX±0.05				
AD	ELX-N-01067	SH	MM0 3/14/12	dir	KCHOU	10/19/93	dwg no		sheet 2 of 2
				engr	TONY CHIEN	10/19/93	87180		A4
				chr	TONY CHIEN	10/19/93	type		Product Customer Drawing
				appd	JENN TSAO	10/19/93			
sheet	revision								
index	sheet								