

REFERENCE SPECIFICATIONS

-NFC 93425 (in compliance with HE 507)

PHYSICAL CHARACTERISTICS

- INSULATOR MATERIAL: THERMOPLASTIC UL94 V-0
- ACCESSORIES: STAINLESS STEEL or BRASS, cadmium plated yellow passivation
- SHELLS: STEEL, cadmium plated yellow passivation

ELECTRICAL CHARACTERISTICS

- CONTACT/CONTACT : >=1000 V
- CONTACT/GROUND : >=1200 V
- INSULATION RESISTANCE: >=5000 MOhms

ENVIRONMENTAL CHARACTERISTICS

- CLIMATIC CATEGORY: 55/125/56
- TEMPERATURE RANGE -55°C TO +125°C
- DAMP HEAT STEADY STATE 56 DAYS
- SALT SPRAY 48 HOURS

# DBMF5W5PN

Series

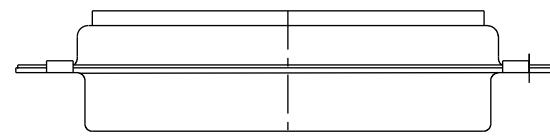
Shell size: **E A B C**  
see sheet 2

Front accessory definition  
see sheet 2

- Blank** :without accessory
- L** :threaded insert M3
- O** :threaded insert UNC 4-40
- V** :female screw UNC 4-40
- I** :female screw M3
- F** :floating mounting

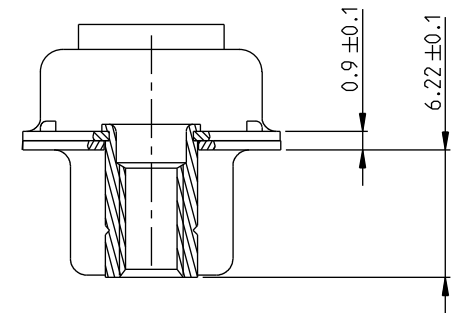
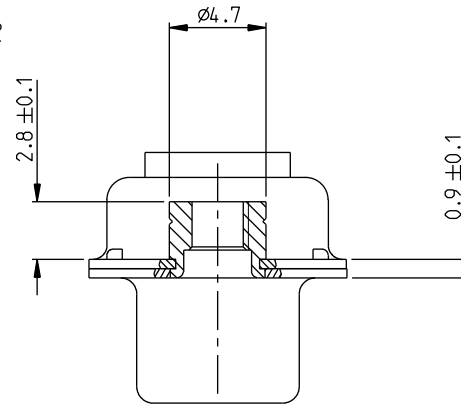
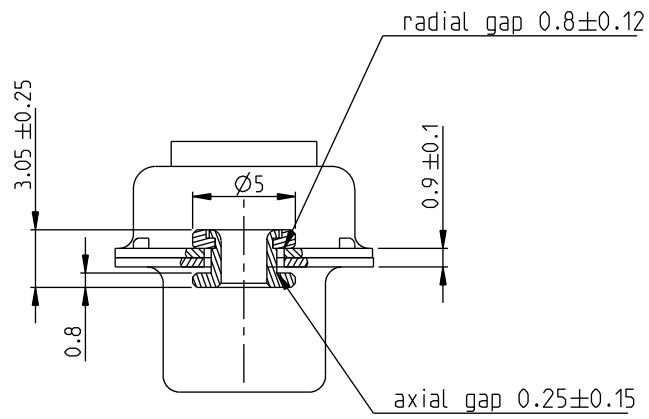
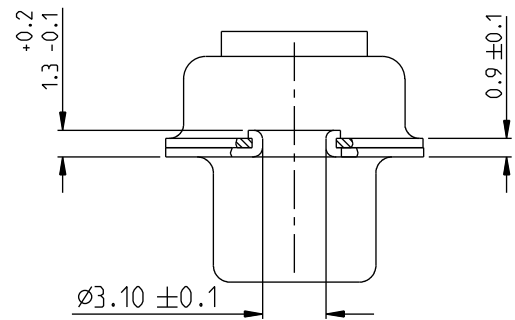
Contacts  
Layout of contacts (see sheet 3)

- P** :Pin
- N** :mandatoy indication for HE 507 series



rev	ecn no	dr	date
A	LS06-0174	MPE	2006/11/14
B	LS07-0273	MPE	2007/10/30
C	F10-0072	LSA	2010/07/20
-	-	-	-
-	-	-	-
-	-	-	-

www.fciconnect.com		surface ISO 1302	-	tolerance std ISO 406	ISO 1101	projection A2	mm
		TOLERANCES UNLESS OTHERWISE SPECIFIED					
Dr	M PESSON	2006/11/14	ANGULAR	0.X	±0.3	size	Scale
Eng	P LEGARE	2006/11/14	LINEAR	0.XX	±0.1	A2	2:1
Chr	P LEGARE	2006/11/14	0° ±2°	0.XXX	±0.05	ECN	F10-0072
Appr	P LEGARE	2006/11/14	Product family			Spec ref	
FCI		title		SUB MALE DMW		dwg no	Rev.
				full power without contact		C01-8637-1732	C
		catalog no		CUSTOMER		sheet 1 of 4	



FRONT ACCESSORY	<b>Blank</b> without	<b>F</b> Floating mounting	<b>L</b> insert M3 <b>O</b> insert UNC 4.40	<b>V</b> Female screw UNC 4.40 <b>I</b> Female screw M3
-----------------	----------------------	----------------------------	--	--

PART NUMBER	FRONT ACCESSORY
D*M*W*PN	without
D*ML*W*PN	insert M3
D*MO*W*PN	insert UNC 4-40
D*MV*W*PN	female screw UNC 4-40
D*MI*W*PN	female screw M3
D*MF*W*PN	floating mounting

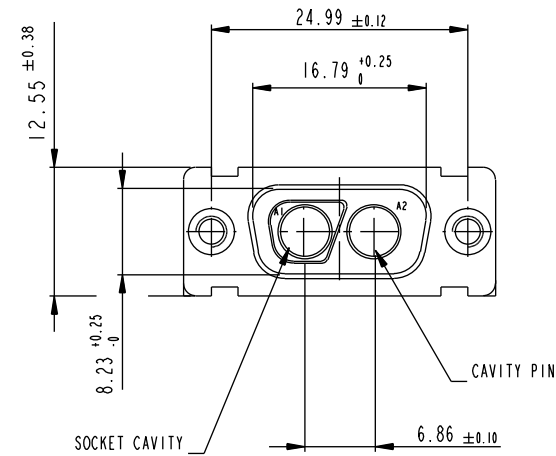
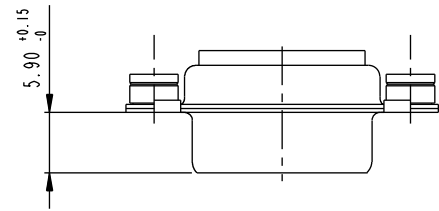
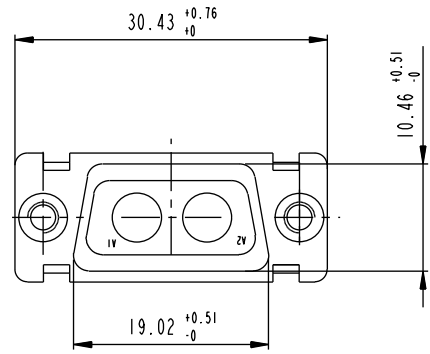
shell size	LAYOUTS
*	xW x
E	2V2
A	3V3
A	3W3
B	5W5
C	8W8

Copyright FCI. FCI

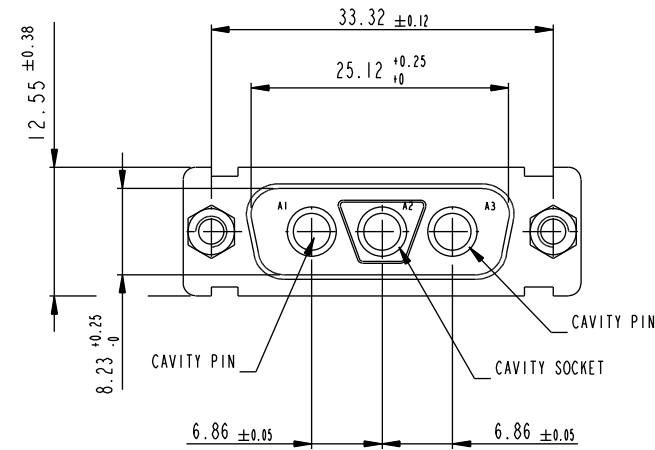
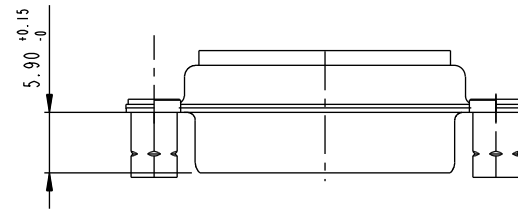
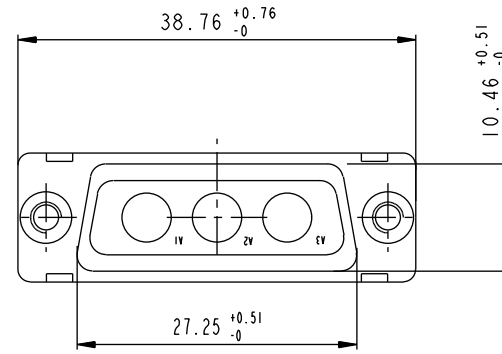
www.fciconnect.com		surface ISO 1302	-	tolerance std ISO 406	ISO 1101	projection ISO 1101	mm
TOLERANCES UNLESS OTHERWISE SPECIFIED		ANGULAR		0.X	±0.3	size	Scale
Dr	M PESSON	2006/11/14	LINEAR	0.XX	±0.1	A2	2:1
Eng	P LEGARE	2006/11/14	0° ±2°	0.XXX	±0.05	ECN	F10-0072
Chr	P LEGARE	2006/11/14	Product family		-	Spec ref	
Appr	P LEGARE	2006/11/14	title		SUB MALE DMW		Rev.
full power without contact		catalog no		-		CUSTOMER	sheet 2 of 4
FCI		C01-8637-1732		-			

SCALE: 4

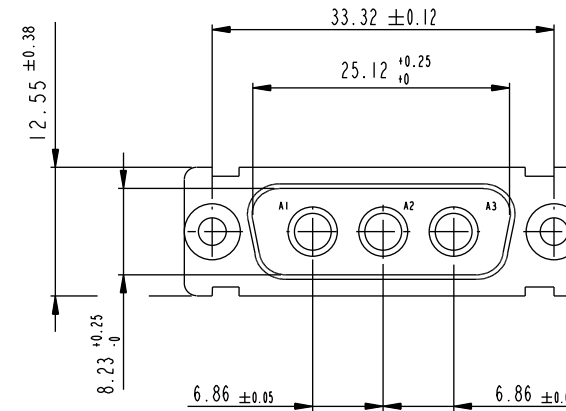
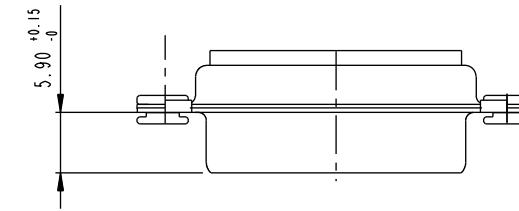
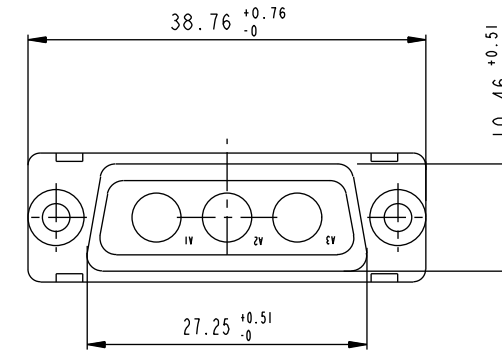
2V2



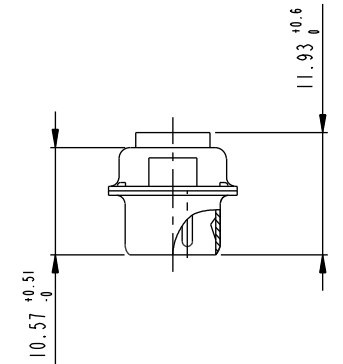
3V3



3W3



SIDE VIEW FOR LAYOUTS: E A B C



Copyright FCI.

www.fciconnect.com		surface ISO 1302	-	tolerance std ISO 406 ISO 1101	projection mm
		TOLERANCES UNLESS OTHERWISE SPECIFIED			mm
Dr	M PESSON	2006/11/14	ANGULAR	0.X ±0.3	size A2
Eng	P LEGARE	2006/11/14	LINEAR	0.XX ±0.1	Scale 2:1
Chr	P LEGARE	2006/11/14	0° ±2°	0.XXX ±0.05	ECN F10-0072
Appr	P LEGARE	2006/11/14	Product family	-	Spec ref
FCI title SUB MALE DMW full power without contact		catalog no		dwg no C01-8637-1732	Rev. C
				CUSTOMER	sheet 3 of 4

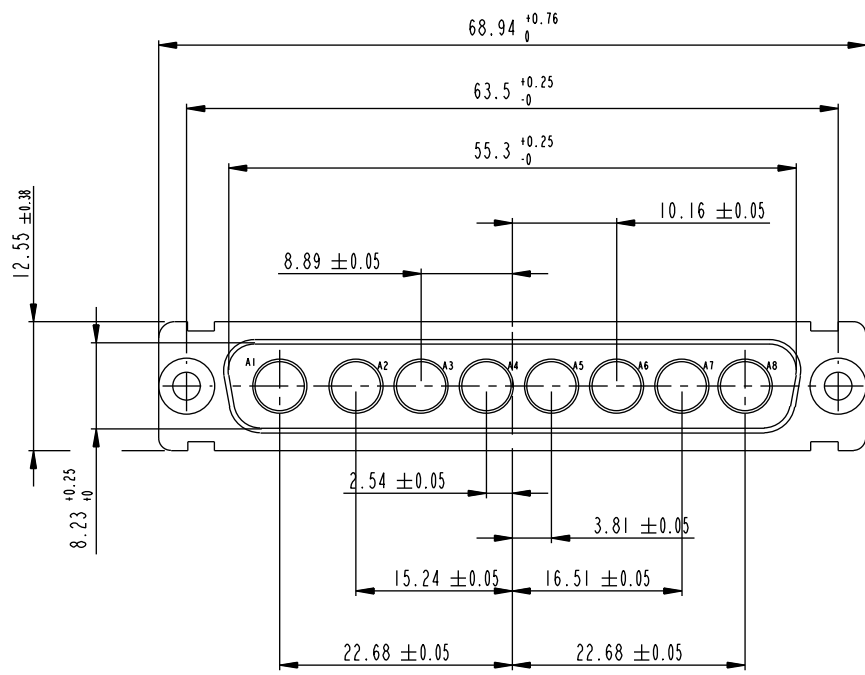
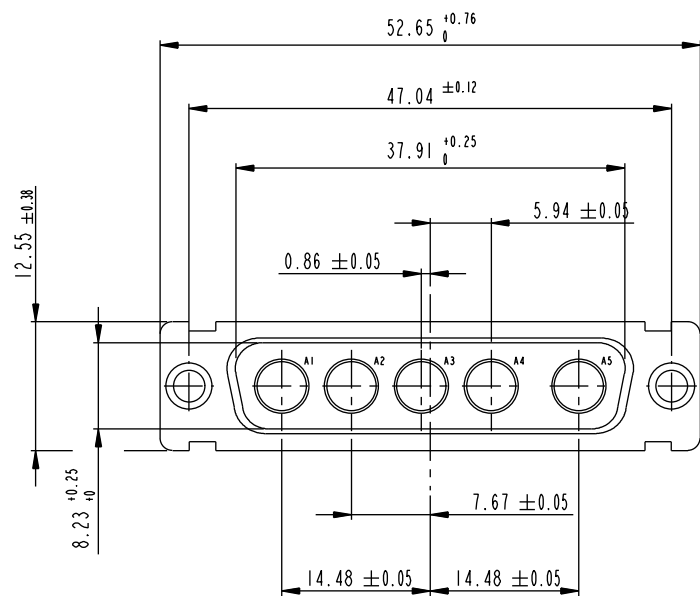
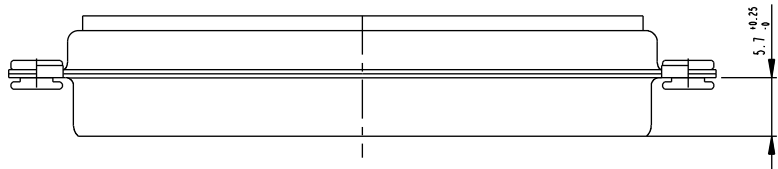
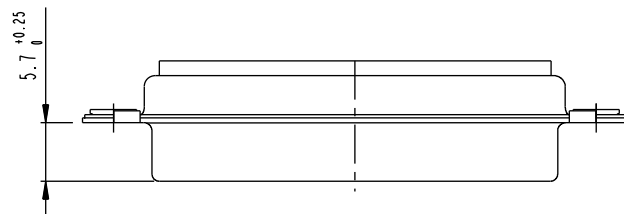
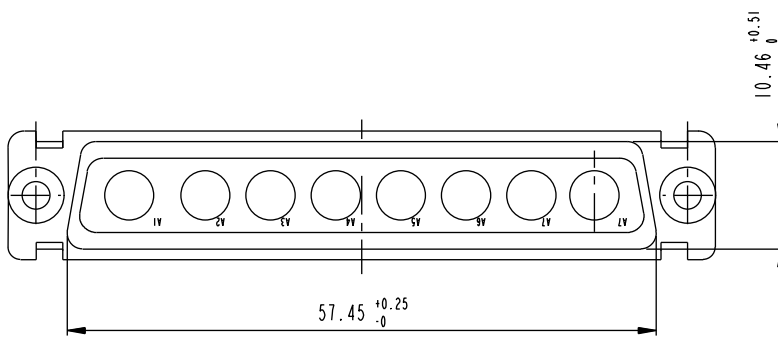
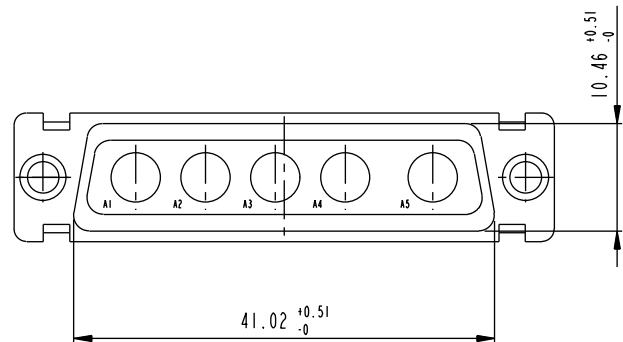
REV C - 2006-03-28

PDS: Rev :C

PDM: Rev: A US: Released Printed: Jun 18, 2015

5W5

8W8



Copyright FCI

www.fciconnect.com		surface ISO 1302	tolerance std ISO 406	ISO 1101	projection mm
TOLERANCES UNLESS OTHERWISE SPECIFIED		ANGULAR	LINEAR	size A2	Scale 2:1
Dr	M PESSON	2006/11/14	0.X	±0.3	ECN
Eng	P LEGARE	2006/11/14	0.XX	±0.1	F10-0072
Chr	P LEGARE	2006/11/14	0° ±2°	0.XXX	±0.05
Appr	P LEGARE	2006/11/14	Product family	-	Spec ref
FCI title SUB MALE DMW full power without contact		dwg no C01-8637-1732		Rev. C	
catalog no		CUSTOMER		sheet 4 of 4	