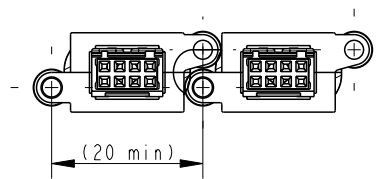
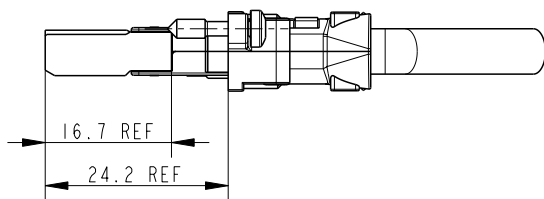
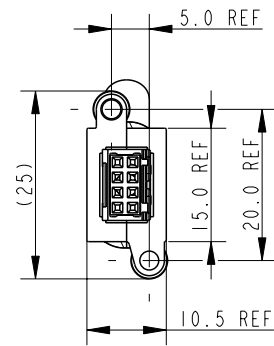
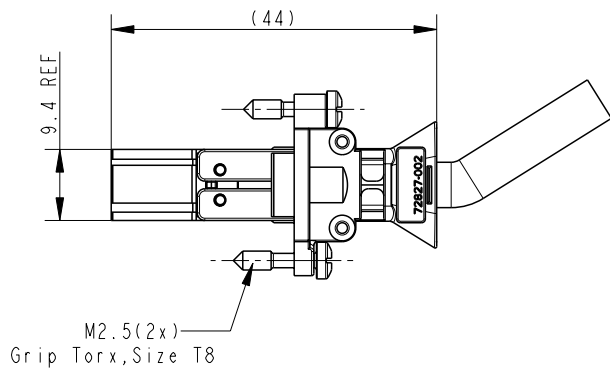


LEAD FREE PRODUCT NO.

72831-X01LF

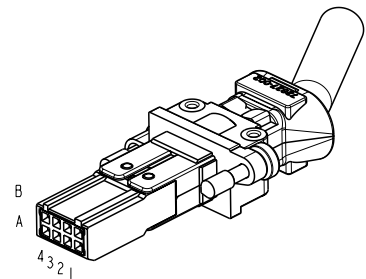


Mouting information

NOTES:

1. BODY MATERIAL..... 30% GLASS FILLED POLYAMIDE
FLAME RETARDENT ACC. UL 94-V0
2. COVER MATERIAL..... ZINC ALLOY
3. TERMINAL MATERIAL..... TINBRONZE
4. CLAMP MATERIAL..... STAINLESS STEEL
5. CUP SPRING MATERIAL:..... HARDENED STEEL, INNER Ø5
6. SURFACE COATING..... Sn OVERALL, Ni AS BARRIER COATING
7. SCREW MATERIAL..... STEEL
8. TUBULAR RIVET MATERIAL... BRASS
9. PRODUCT MARKING..... PART NUMBER & MANUFACT. DATE

9. RoHS INFORMATIONS:
- This "LF" product meets European Union Directives and other country regulations as described in GS-22-008.
 - This product is not intended to be exposed to a manufacturing solder process.
 - Packaging Spec: GS-14-920.



Copyright FCI.

rev	ecn no	dr	date
E	B20112	BB	2002/06/30
F	LS05-0102	JTA	2005/11/12
G	LS06-0084	LGO	2006/07/09
H	LS06-0143	LGO	2006/09/25
J	LS07-0255	JTA	2007/11/13
-	-	-	-
-	-	-	-

Performance Level	
72831-1XXLF	Telcordia Co
72831-2XXLF	Customer Special



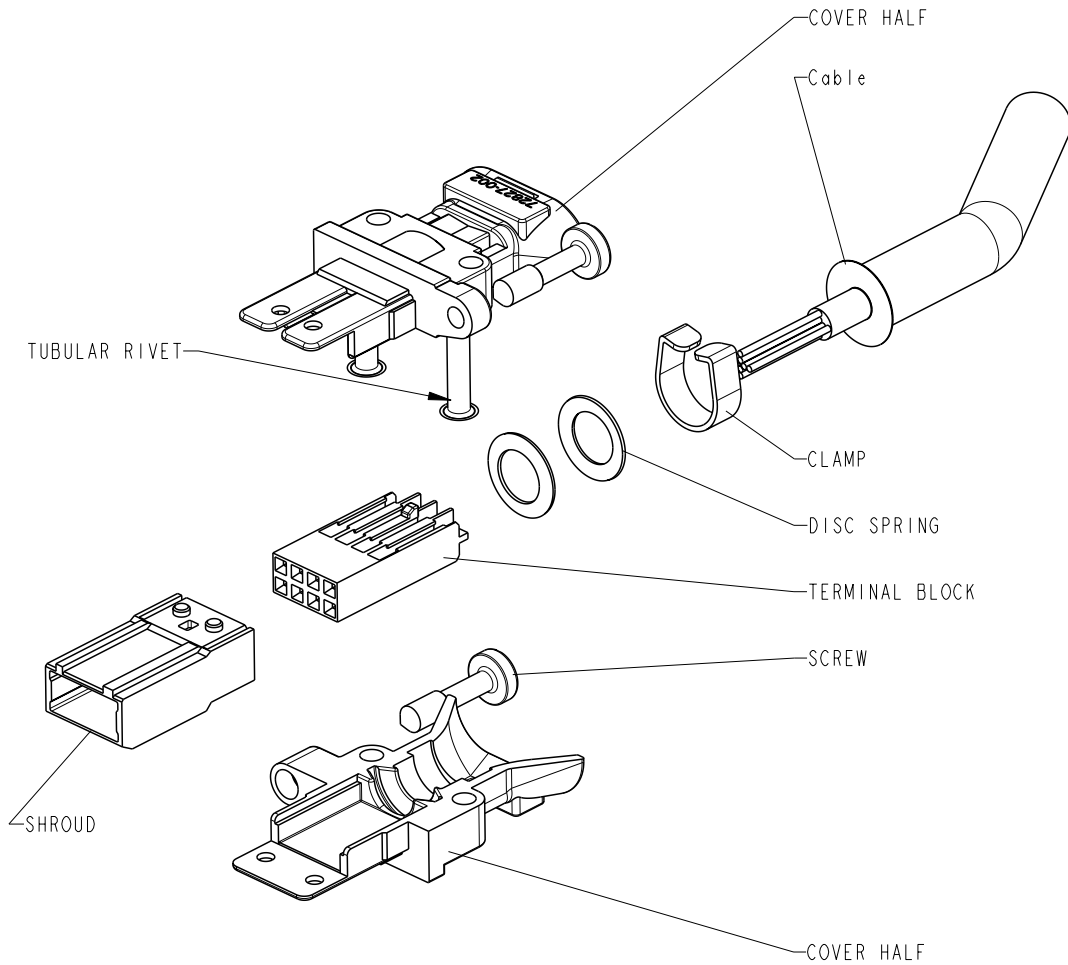
CONVERSION ACCORDING GS-STANDARDS

www.fciconnect.com		surface ISO 1302	- ✓	tolerance std ISO 406 ISO 1101	projection mm	← →	
TOLERANCES UNLESS OTHERWISE SPECIFIED				size A4		Scale 1:1	
Dr	B.Beirinckx	2002/06/30	ANGULAR	0.X	±0.3	ECN	LS07-0195
Eng	G.Nys	2002/06/30		LINEAR	0.XX		
Chr	W.Panis	2002/06/30	0° ±2°	0.XXX	±0.05	Spec ref	RELEASED
Appr	W.Panis	2002/06/30	Product family		SOFIX SHIELDED		
	title			MINICONCEPT, CABLE		dwg no	72831_C
	title			CONNECTOR, SIGNAL IDC 8 pos.			
catalog no			CUSTOMER COPY			sheet 1 of 3	

REV F - 2006-04-17



Copyright FCI.



STANDARD VERSION SHOWN

www.fciconnect.com			surface - ✓ ISO 1302		tolerance std ISO 406 ISO 1101		projection mm	
TOLERANCES UNLESS OTHERWISE SPECIFIED								
Dr	B.Beirinckx	2002/06/30	ANGULAR	LINEAR	0.X	±0.3	size A4	Scale 3:2
Eng	G.Nys	2002/06/30			0.XX	±0.1		
Chr	W.Panis	2002/06/30	0° ±y°		0.XXX	±0.05	ECN	LS07-0195
Appr	W.Panis	2002/06/30	Product family			SOFIX SHIELDED	Spec ref	RELEASED
		title MINICONCEPT, CABLE CONNECTOR, SIGNAL IDC 8 pos.				dwg no 72831_C		Rev. J
catalog no		CUSTOMER COPY				sheet 2 of 3		


REV F - 2006-04-17

LEAD FREE PART NUMBER

Kit: 72831-X01LF	
COMPONENTS	QTY
SCREW	2
TUBULAR RIVET	2
DISC SPRING	2
CLAMP	1
COVER HALF	1
COVER HALF	1
TERMINAL BLOCK	1
SHROUD	1
CABLE	1


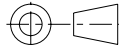
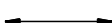



Dimension with oval around are critical dimensions including any attached geometrical tolerance. Other features or stand-alone geometrical tolerances being critical have a note "CRITICAL FEATURE" below the item

A symbol  (x: drawing current revision) will be next to any dimension, view or note which has been modified with the current drawing revision



Copyright FCI.

www.fciconnect.com			surface -  ISO 1302	tolerance std ISO 406 ISO 1101	projection 	mm 		
			TOLERANCES UNLESS OTHERWISE SPECIFIED					
Dr	B.Beirinckx	2002/06/30	ANGULAR	LINEAR	0.X	±0.3	size A4	Scale 1:1
Eng	G.Nys	2002/06/30			0.XX	±0.1		
Chr	W.Panis	2002/06/30	0° ±r°		0.XXX	±0.05	ECN	LS07-0195
Appr	W.Panis	2002/06/30	Product family		SOFIX SHIELEDDED	Spec ref	RELEASED	
			title MINICONCEPT, CABLE CONNECTOR, SIGNAL IDC 8 pos.			dwg no 72831_C		Rev. J
catalog no			CUSTOMER COPY			sheet 3 of 3		

REV F - 2006-04-17