

PRODUCT NUMBER  
98414-XXX-XX-XXXLF

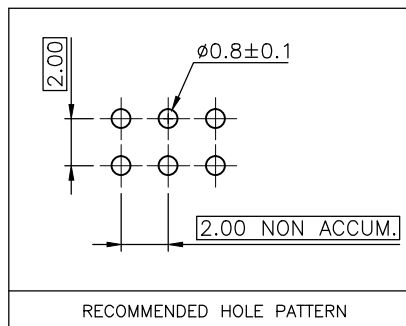
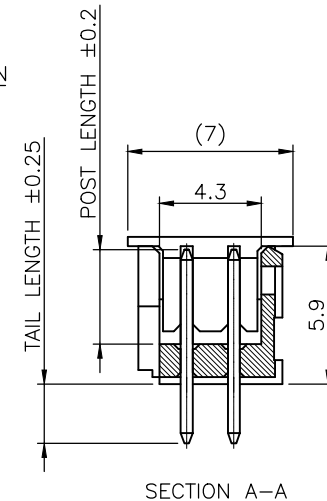
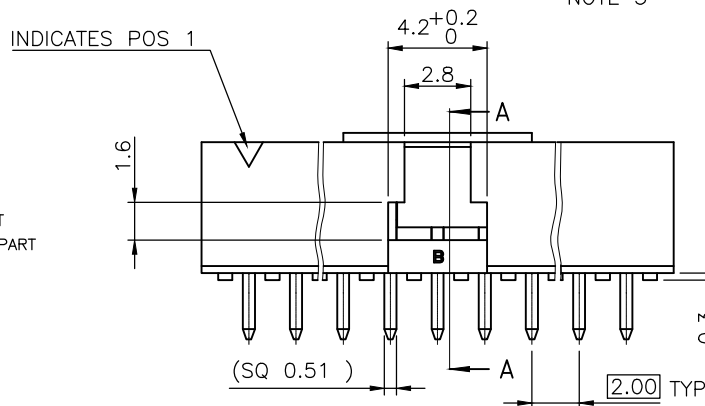
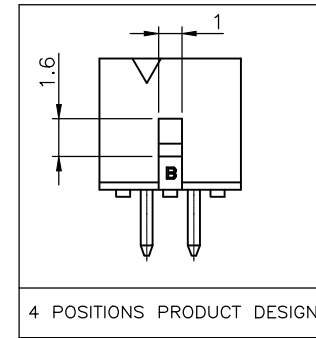
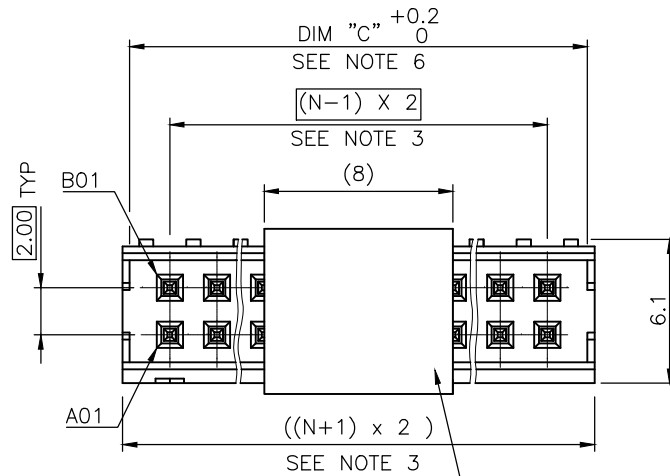
PLATING \_\_\_\_\_ RoHS COMPATIBLE, SEE NOTE 8  
S = 0.38µm GOLD/GXT ON CONTACT AREA  
2µm MIN MATTE TIN ON TAIL  
G = 0.76µm GOLD/GXT ON CONTACT AREA  
2µm MIN MATTE TIN ON TAIL  
F = GOLD FLASH ON CONTACT AREA  
2µm MIN MATTE TIN ON TAIL  
T = 2.0-6.0µm FULL MATTE TIN  
1.27µm Ni MIN UNDERLAYER

POLARIZATION, SEE NOTE 7  
PACKAGING, SEE NOTE 5  
TOTAL NB OF POSITIONS, 04 TO 50 POS  
COLOR OPTION NOTE 1

PIN STYLE	POST LENGTH	TAIL LENGTH
04	4.00	2.00
06	4.00	2.50
08	4.00	3.10
10	4.00	3.70

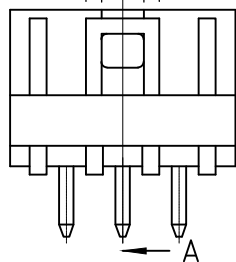
NOTES:

- MATERIAL HOUSING: HIGH TEMP. THERMOPLASTIC UL-94V0  
- = STANDARD COLOR CREAM  
B = OPTIONAL COLOR BLACK
- MATERIAL TERMINAL: COPPER ALLOY
- TO DETERMINE DIMENSIONS:  
N = NUMBER OF POSITIONS PER ROW
- 7N MIN. PIN RETENTION IN EITHER DIRECTION.
- PACKAGING:  
= STANDARD PACKAGING IN POLYBAGS  
- = POLYBAGS PACKAGING WHEN POLARISATION FEATURE APPLICABLE  
B = TUBE WITH PICK-UP CAP FOR 12 UP TO 50 POS  
U = TUBE AVAILABLE FROM 06 TO 50 POS  
UV = TUBE WITHOUT PICK UP CAP FOR CUSTOMER DEDICATED PART  
AV = TAPE & REEL WITH PICK UP CAP FOR CUSTOMER DEDICATED PART  
KV = TAPE & REEL WITHOUT PICK UP CAP FOR CUSTOMER DEDICATED PART
- DIM "C" = (N x 2) + 1.4  
EXAMPLE: N = 7  
DIM "C" = (7 x 2) + 1.4 = 15.4 mm
- FOR POLARIZATION, SPECIFIED PIN  
EXAMPLE : A03 = ROW A, POSITION 03 TO OMIT PIN  
OMIT FROM PRODUCT NUMBER IF THIS FEATURE IS NOT APPLICABLE.
- RoHS COMPATIBLE PRODUCT SPECIFICATIONS
  - PLATING:  
- "LF" MEANS THE PRODUCT IS LEAD-FREE,  
2µm MINIMUM MATTE TIN OVER 1.27µm MINIMUM NICKEL UNDERPLATE.
  - MANUFACTURING PROCESS COMPATIBILITY  
- THE HOUSING WILL WITHSTAND EXPOSURE TO 260°C ±5°C SOLDER BATH TEMPERATURE FOR 5 SECONDS IN A WAVE SOLDER APPLICATION WITH A 1.6mm MIN THICK CIRCUIT BOARD.
  - LABELLING:  
- MEETS PACKAGING SPECS AS PER GS-14-920
  - THIS PRODUCT MEETS EUROPEAN DIRECTIVES AND OTHER COUNTRY REGULATIONS AS DISCRIBED IN GS-47-0004

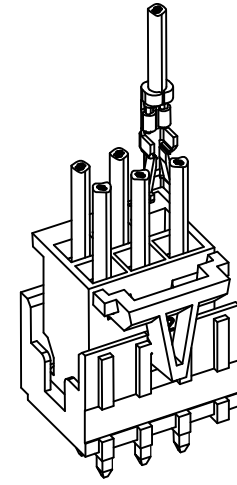
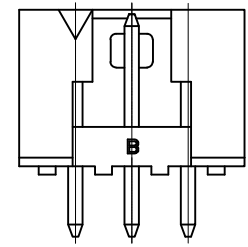
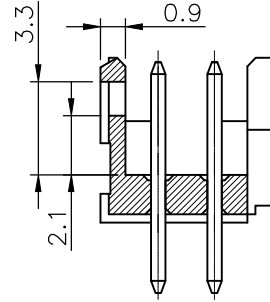


mat'l. code SEE NOTES		surface ISO 1302 ✓	tolerance ISO 406 ISO 101	projection 101	product family MINITEK
ltr	ecn no dr date	tolerances unless otherwise specified		mm	title SHR HEADER 2.00 VERTICAL TMT
P	F10-0215 JCO 10.09.16	angles	X.X ±0.3		scale 1:1
R	B-18812 LMU 14.09.15	linear	X.XX ±0.13	FCI	dwg no 98414
S	B-19190 LMU 14.10.24		X.XXX ±0.05		sheet 1 of 2 size A3
T	B-19797 AMA 14.12.16	dr	L.MULIN 04.09.27	type CUSTOMER Drawing	
U	B-19988 LMU 15.01.13	engr	J.COMPAGNON 04.09.27		
N	F09-0211 JCO 09.11.03	chr	JM.C 04.09.27		
sheet index	revision sheet	U A			
	1 2				

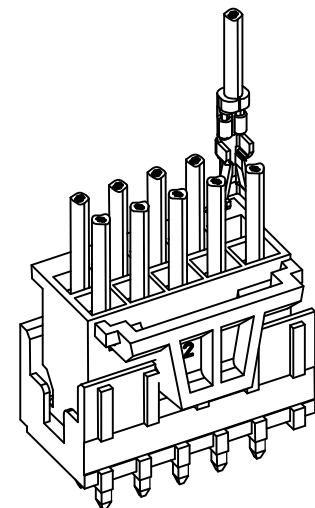
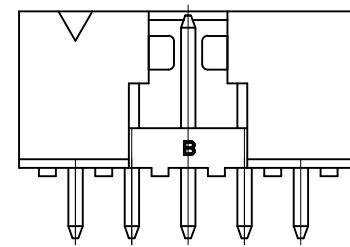
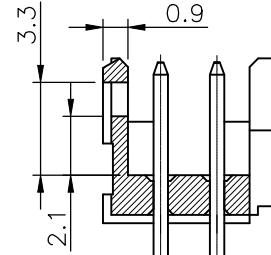
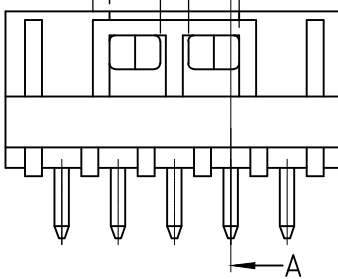
2.6  
1.5



2x3 POS AND 2x4 POS CONFIGURATION  
NO LATCHING AVAILABLE FOR 2x2 POS



4.6  
1  
0.6



2x5 POS UP TO 2x25 POS CONFIGURATION

LATCHING FEATURES WHEN USED IN COMBINATION  
WITH ACTIVE LATCH HOUSING 10073599

mat'l. code		surface		tolerance		projection		product family		
SEE NOTES		ISO 1302 ✓		ISO 406 ISO		101		MINITEK		
ltr	ecn no	dr	date	tolerances unless otherwise specified		mm		title		
A	F08-0113	LMU	08.01.17	angles	X.X ±0.3	← mm →		SHR HEADER		
				linear	X.XX ±0.13	scale 1:1		2.00 VERTICAL TMT		
					X.XXX ±0.05	FCJ		dwg no		
				dr	L.MULIN	07.11.06			sheet 2 of - size	
				enr	J.COMPAGNON	07.11.06			98414 A3	
				chr					type	
				appd	JM.C	07.11.06			CUSTOMER Drawing	
sheet	revision									
index	sheet									



Copyright FCI