

PRODUCT NUMBER  
20020327-XXXXXXLF



20020327-□ □ □ □ □ 0 □ L F


PITCH  
C: 3.50 mm  
D: 3.81 mm

POLES  
02: 2 POLES  
03: 3 POLES  
04: 4 POLES  
24: 24 POLES

LF : DENOTED RoHS COMPATIBLE  
1 : STANDARD PRODUCT  
W/ BOX PACKING

SCREW CODE

CODE	SCREW TYPE	AVAILABILITY
A	-/+ 	ON REQUEST ONLY
B	- 	STANDARD

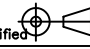


PROPERTY TABLE			
FCI SERIES NAME		26-350	26-381
PITCH (mm)		3.50	3.81
VOLTAGE RATING (VAC)		300	300
CURRENT RATING (A)		10	10
APPLICABLE WIRE RANGE (AWG)	1-WIRE	16~24	16~24
	2-WIRE	20	20
WIRE CROSS SECTION (mm <sup>2</sup> )	SOLID	1-WIRE	1.5
		2-WIRE	0.5
	STRANDED	1-WIRE	1.0
		2-WIRE	0.2
OPENING CONTACT HOUSING(mm <sup>2</sup> )		1.6x1.6	1.6x1.6
WIRE STRIP LENGTH(mm)		5~6	5~6
TORQUE +/-10% (N-m/Lb-in)		0.19/1.7	0.19/1.7
SCREW		M2x0.4	M2x0.4
WITHSTANDING VOLTAGE (kV)		1.6	1.6
OPERATING TEMP. (°C)		-40~+115	-40~+115
SOLDERING TEMP. (°C)		250±10 (5 sec.)	250±10 (5 sec.)
POLES AVAILABLE		02~24	02~24
SAFETY CERTIFICATE			

HOUSING CODE

CODE	COLOR	AVAILABILITY
1	GREEN(RAL 6018/T)	STANDARD
2	BLACK	ON REQUEST ONLY
3	GREY(RAL 7004/P)	ON REQUEST ONLY
4	BLUE(RAL 5015/A)	ON REQUEST ONLY

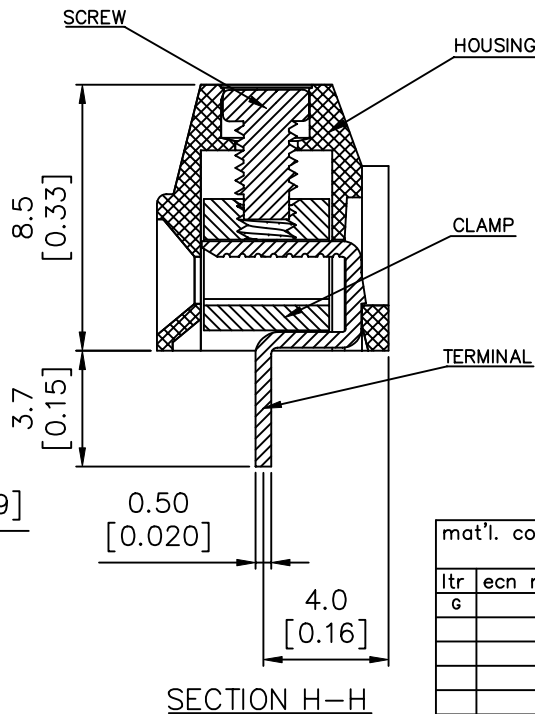
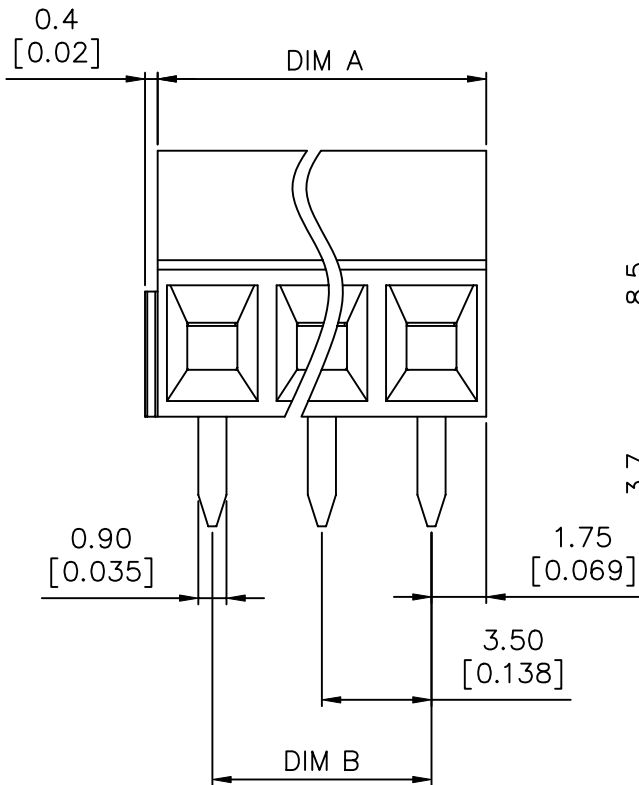
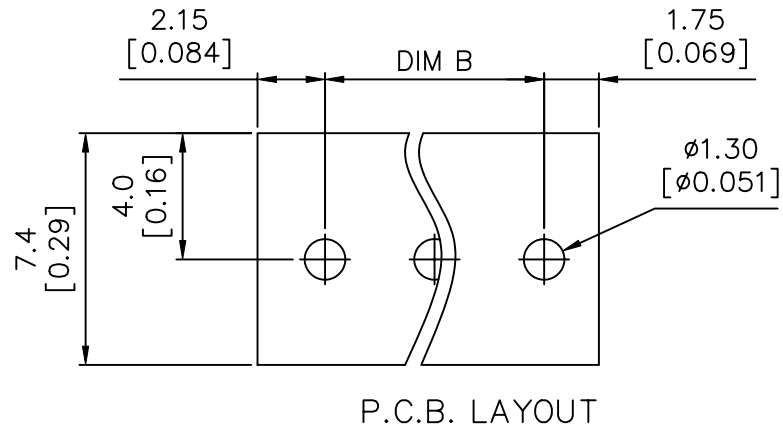
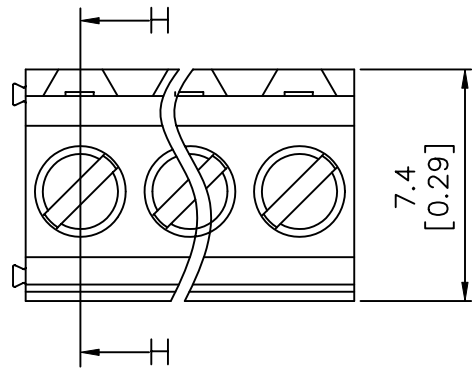
NOTES:

- MATERIALS**  
 1-1 HOUSING: THERMALPLASTIC RESIN, UL 94V-0 RATED.  
 1-2 SCREW: STEEL, ZINC PLATED.  
 1-3 CLAMP: COPPER ALLOY, NICKEL PLATED.  
 1-4 TERMINAL: COPPER ALLOY, TIN PLATED.  
 2. PRODUCTION SPECIFICATION REFER TO FCI GS-12-625.  
 3. BOXED PACKAGING.  
 DETAILED PRODUCT PACKING SPECIFICATION REFER TO FCI GS-14-1394.  
 4. FCI, SAFETY CERTIFICATE LOGO AND SERIES NAME TO BE SHOWN ON PRODUCT SURFACE.  
 5. THE PRODUCTS WHERE THE PART NUMBER END IN "LF" MEET THE EUROPEAN UNION DIRECTIVE AND OTHER COUNTRY REGULATIONS AS DESCRIBED IN GS-22-008.  
 6. RECOMENDED SOLDERING PROCESS BY WAVE SOLDER.

mat'l. code				surface ASME Y14.5 ✓ / tolerance ASME Y14.5		projection 		product family		
tolerances unless otherwise specified				X.±0.5				TERMINAL BLOCK		
angles 				X.X±0.3		MM [INCH]		title		
X°±1'				X.XX±0.1		scale		TERMINAL BLOCK FIXED HORIZONTAL WIRE INLET		
ltr	ecn no	dr	date	dr	BEER FU	062509	dwg no sheet 1 of 3 size			
A	0609-0203	BF	062509	enr	BEER FU	062509	20020327 A4			
B	T09-1148	BF	111709	chr	GARY HSIEH	062509	type CUSTOMER Drawing			
C	T09-1152	BF	112609	appd	JOSEPH HSIA	062509				
D	T10-0042	WL	030310							
E	T10-0109	WL	070710							
F	T10-0159	WL	100410							
G	T10-0187	WL	121410							
sheet index	revision sheet	G	G	G	G	G				
		1	2	3						



PRODUCT NUMBER	SERIES NAME	PITCH
20020327-CXXXXXXLF	26-350	3.50 mm



N = Number of poles  
 Dim A =  $N \times 3.5 [0.138]$   
 Dim B =  $(N-1) \times 3.5 [0.138]$

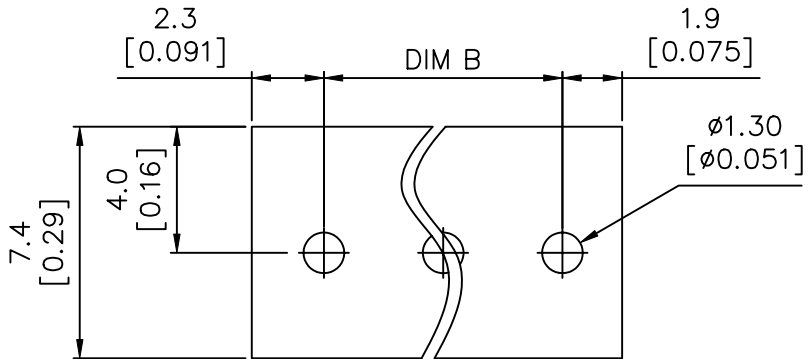
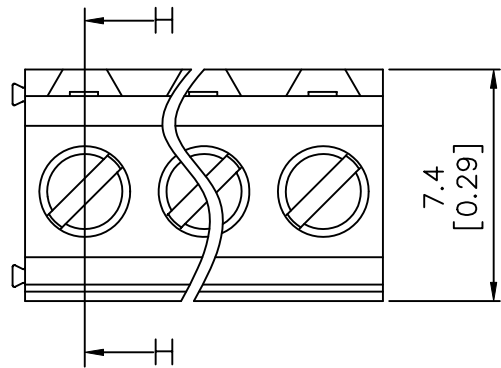
TOL.	Dim A	Dim B
2-6p	$\pm 0.15 [0.006]$	
7-12p	$\pm 0.20 [0.008]$	
13-16p	$\pm 0.25 [0.010]$	
17-24p	$\pm 0.30 [0.012]$	

mat'l. code		surface ASME Y14.5	tolerance ASME Y14.5	projection 	product family TERMINAL BLOCK
ltr	ecn no	dr	date	tolerances unless otherwise specified	
g				angles X°±1'	title TERMINAL BLOCK FIXED HORIZONTAL WIRE INLET
				scale MM [INCH]	dwg no 20020327
		dr	BEER FU	062509	sheet 2 of 3   size A4
		enr	BEER FU	062509	type CUSTOMER Drawing
		chr	GARY HSIEH	062509	
		appd	JOSEPH HSIA	062509	
sheet index	revision sheet				

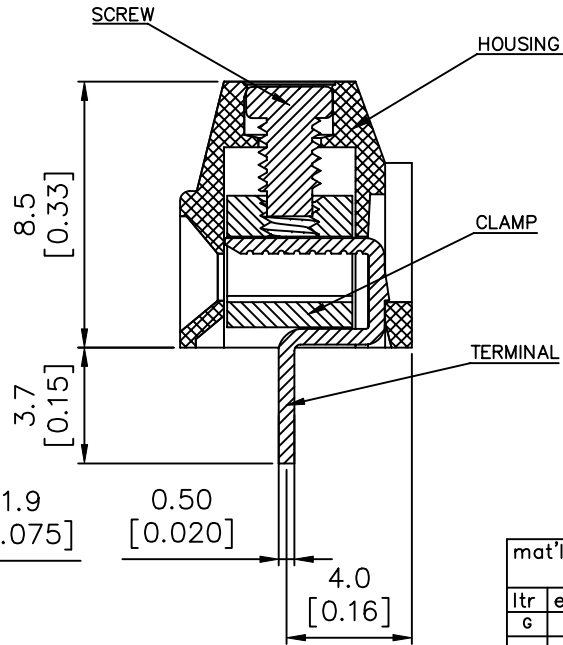
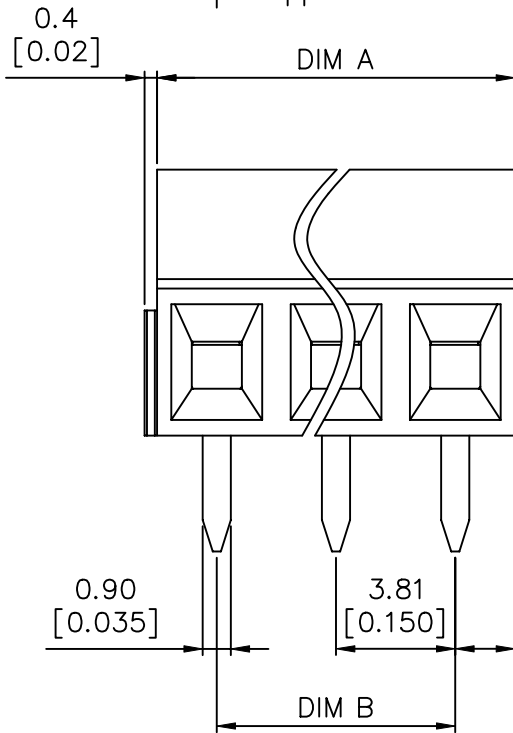




PRODUCT NUMBER	SERIES NAME	PITCH
20020327-DXXXXXL	26-381	3.81 mm



P.C.B. LAYOUT



N = Number of poles  
 Dim A =  $N \times 3.81 [0.150]$   
 Dim B =  $(N - 1) \times 3.81 [0.150]$

TOL.	Dim A	Dim B
2-6p	$\pm 0.15 [0.006]$	
7-12p	$\pm 0.20 [0.008]$	
13-16p	$\pm 0.25 [0.010]$	
17-24p	$\pm 0.30 [0.012]$	

mat'l. code		surface ASME Y14.5	tolerance ASME Y14.5	projection 	product family TERMINAL BLOCK
ltr	ecn no	dr	date	tolerances unless otherwise specified	title
g				angles X $\pm$ 0.5 X.X $\pm$ 0.3 X*1 X.XX $\pm$ 0.1	TERMINAL BLOCK FIXED HORIZONTAL WIRE INLET
				MM [INCH]	dwg no 20020327
		dr	BEER FU 062509	scale	sheet 3 of 3 size A4
		enr	BEER FU 062509		type CUSTOMER Drawing
		chr	GARY HSIEH 062509		
		appd	JOSEPH HSIA 062509		
sheet index	revision sheet				

