



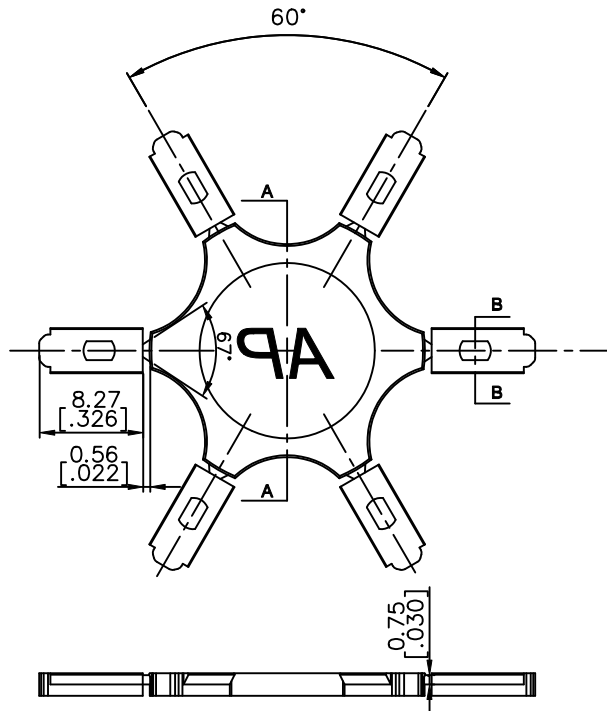
PRODUCT NUMBER  
20020802-001LF

NOTES:

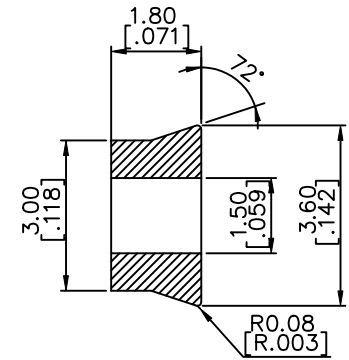
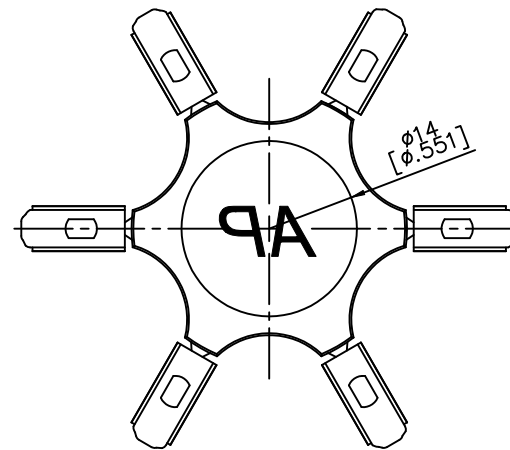
- 1. MATERIALS  
HOUSING: THERMALPLASTIC RESIN, UL 94V-0 RATED.
- 2. PRODUCT PACKING SPECIFICATION REFER TO FCI GS-14-1394.
- 3. THE PRODUCTS WHERE THE PART NUMBER END IN "LF" MEET THE EUROPEAN UNION DIRECTIVE AND OTHER COUNTRY REGULATIONS AS DESCRIBED IN GS-22-008.

20020802-001LF CAN BE USED FOR BELOW LIST:

FCI series name	P/N	FCI series name	P/N
27-762	20020518-MXXXXXXLF	28-1016	20020520-UXXXXXXLF
	20020519-MXXXXXXLF		20020521-UXXXXXXLF
07-762	20020618-MXXXXXXLF	29-1016	20020623-UXXXXXXLF
	20020619-MXXXXXXLF		20020624-UXXXXXXLF
	20020620-MXXXXXXLF		20020625-UXXXXXXLF
	20020621-MXXXXXXLF		20020626-UXXXXXXLF
20020622-MXXXXXXLF	20020627-UXXXXXXLF		
20020516-MXXXXXXLF	20020628-UXXXXXXLF		
04-762	20020517-MXXXXXXLF		



Sec. A-A



Section B-B

mat'l. code		surface ASME Y14.5		tolerance ASME Y14.5		projection		product family TERMINAL BLOCK	
ltr	ecn no	dr	date	tolerances unless otherwise specified		MM INCH		title	
A	T10-0126	WL	080910	angles	X.±0.5	scale		TERMINAL BLOCK CODING KEY (AP SERIES)	
B	T10-0182	WL	112910	int	X.X±0.3			dwg no	
C	T11-0009	WL	021411	X'±1"	X.XX±0.1			sheet 1 of 5	
D	T-006380	WL	092911	dr	WENDY CHEN	071410		size A4	
				enr	JASON HSU	071410		20020802	
				chr	GARY HSIEH	071410		CUSTOMER Drawing	
				appd	JOSEPH HSIA	071410		type	
sheet index	revision sheet	D	D	D	D	D	D		
		1	2	3	4	5			





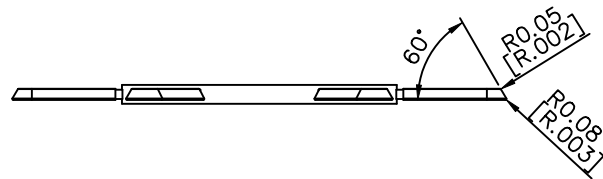
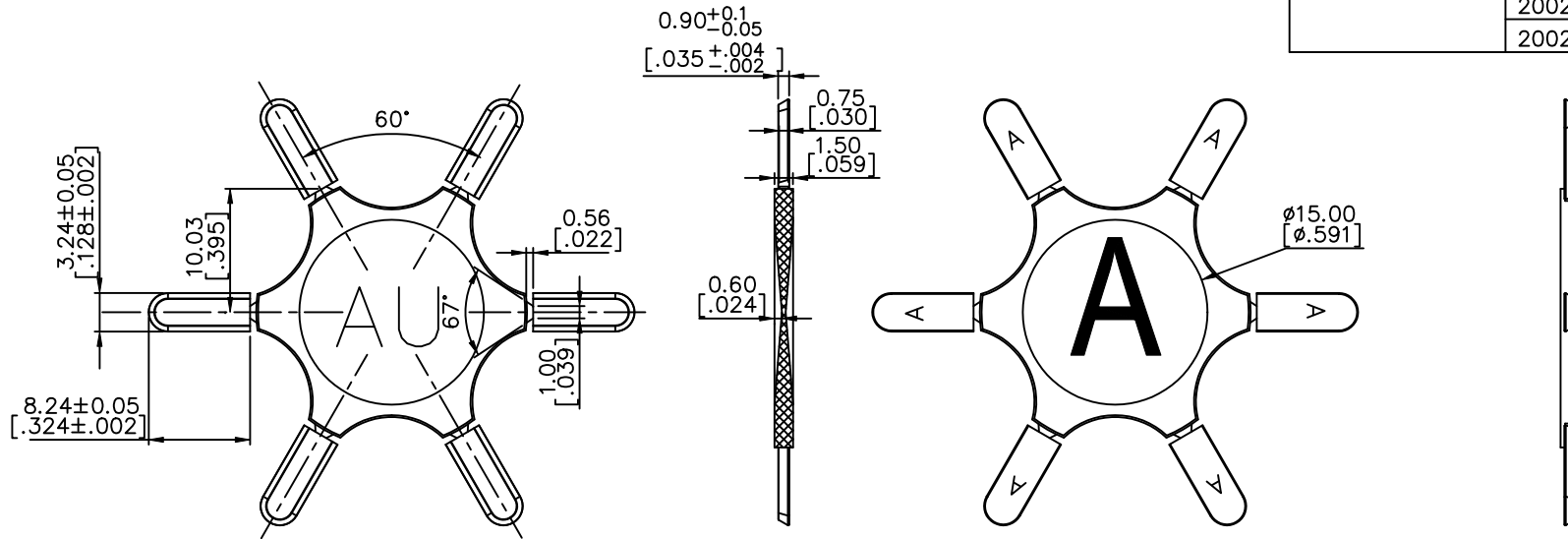
PRODUCT NUMBER  
20020802-003LF

NOTES:

- 1. MATERIALS  
HOUSING: THERMALPLASTIC RESIN, UL 94V-0 RATED.
- 2. PRODUCT PACKING SPECIFICATION REFER TO FCI GS-14-1394.
- 3. THE PRODUCTS WHERE THE PART NUMBER END IN "LF" MEET THE EUROPEAN UNION DIRECTIVE AND OTHER COUNTRY REGULATIONS AS DESCRIBED IN GS-22-008.

20020802-003LF CAN BE USED FOR BELOW LIST:

FCI series name	P/N
01-500	20020003-GXXXXXXLF
	20020006-GXXXXXXLF
01-508	20020003-HXXXXXXLF
	20020006-HXXXXXXLF
35-500	20020034-GXXXXXXLF
	20020037-GXXXXXXLF
35-508	20020034-HXXXXXXLF
	20020036-HXXXXXXLF
	20020037-HXXXXXXLF
	20020039-HXXXXXXLF



mat'l. code		surface ASME Y14.5	tolerance ASME Y14.5	projection	product family TERMINAL BLOCK
ltr	ecn no	dr	date	tolerances unless otherwise specified	title
D				angles X±1°	TERMINAL BLOCK CODING KEY (AE SERIES)
				linear X.X±0.3 X.XX±0.1	
				scale	MM [INCH]
		dr	WENDY CHEN 071410	FCI	dwg no
		enr	JASON HSU 071410		sheet 3 of 5
		chr	GARY HSIEH 071410		20020802
		appd	JOSEPH HSIA 071410		A4
sheet index	revision sheet			type	CUSTOMER Drawing



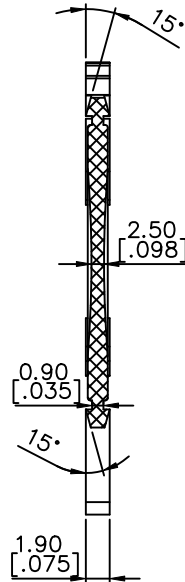
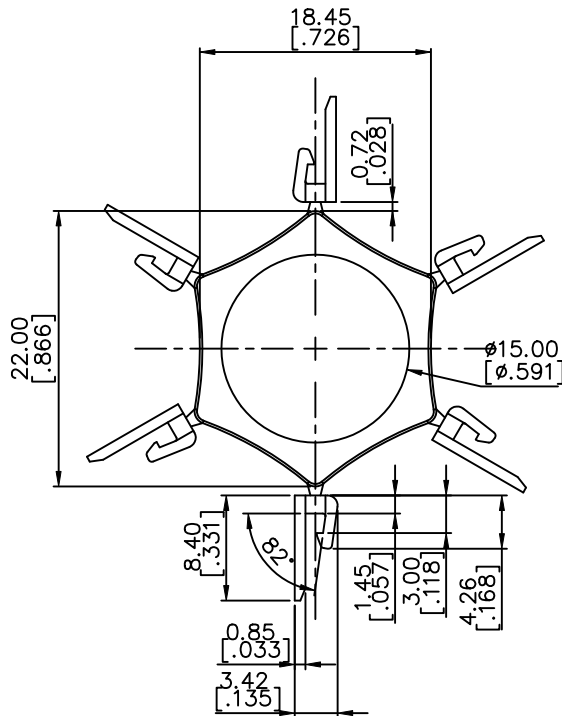
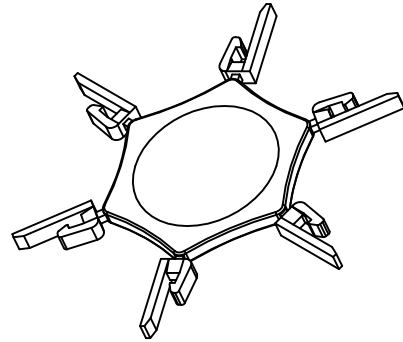
PRODUCT NUMBER
20020802-004LF

NOTES:

- MATERIALS  
HOUSING: THERMALPLASTIC RESIN, UL 94V-0 RATED.
- PRODUCT PACKING SPECIFICATION REFER TO FCI GS-14-1394.
- THE PRODUCTS WHERE THE PART NUMBER END IN "LF" MEET THE EUROPEAN UNION DIRECTIVE AND OTHER COUNTRY REGULATIONS AS DESCRIBED IN GS-22-008.

20020802-004LF CAN BE USED FOR BELOW LIST:

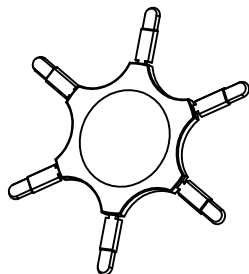
FCI series name	P/N	FCI series name	P/N
06-500	20020106-GXXXXXXLF	06-762	20020606-MXXXXXXLF
	20020107-GXXXXXXLF		20020607-MXXXXXXLF
	20020108-GXXXXXXLF		20020608-MXXXXXXLF
	20020109-GXXXXXXLF		20020609-MXXXXXXLF
	20020110-GXXXXXXLF		20020610-MXXXXXXLF
	20020111-GXXXXXXLF		20020611-MXXXXXXLF
06-508	20020106-HXXXXXXLF	30-500	20020129-GXXXXXXLF
	20020107-HXXXXXXLF		20020130-GXXXXXXLF
	20020108-HXXXXXXLF		20020131-GXXXXXXLF
	20020109-HXXXXXXLF	30-508	20020129-HXXXXXXLF
	20020110-HXXXXXXLF		20020130-HXXXXXXLF
	20020111-HXXXXXXLF		20020131-HXXXXXXLF
06-750	20020141-HXXXXXXLF	X	
	20020606-LXXXXXXLF		
	20020607-LXXXXXXLF		
	20020608-LXXXXXXLF		
	20020609-LXXXXXXLF		
	20020610-LXXXXXXLF		
20020611-LXXXXXXLF			



mat'l. code		surface ASME Y14.5 ✓	tolerance ASME Y14.5	projection ⊕	product family TERMINAL BLOCK	
ltr	ecn no	dr	date	tolerances unless otherwise specified		title
D				angles X°±1°	X.±0.5 X.X±0.3 X.XX±0.1	TERMINAL BLOCK CODING KEY (AF SERIES)
				scale	MM [INCH]	
		dr	WENDY CHEN 071410		dwg no	sheet 4 of 5
		enr	JASON HSU 071410		20020802	A4
		chr	GARY HSIEH 071410		type	CUSTOMER Drawing
		appd	JOSEPH HSIA 071410			
sheet index	revision sheet					



PRODUCT NUMBER  
20020802-005LF

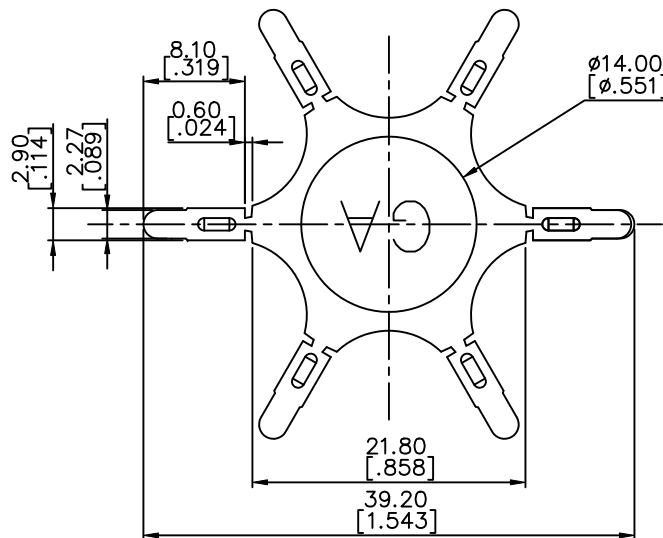
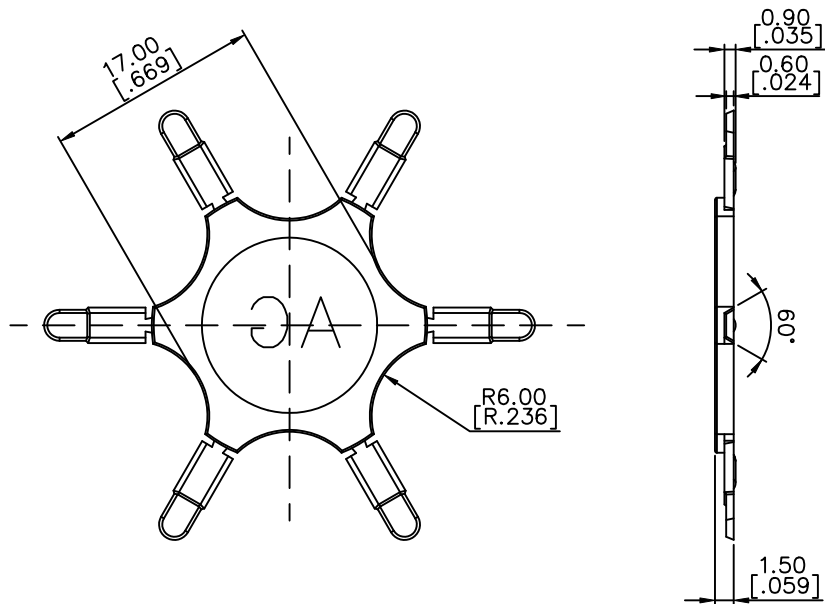


NOTES:

- 1. MATERIALS  
HOUSING: THERMALPLASTIC RESIN, UL 94V-0 RATED.
- 2. PRODUCT PACKING SPECIFICATION REFER TO FCI GS-14-1394.
- 3. THE PRODUCTS WHERE THE PART NUMBER END IN "LF" MEET THE EUROPEAN UNION DIRECTIVE AND OTHER COUNTRY REGULATIONS AS DESCRIBED IN GS-22-008.

20020802-005LF CAN BE USED FOR BELOW LIST:

FCI series name	P/N
06-350	20020106-CXXXXXXLF
	20020107-CXXXXXXLF
	20020108-CXXXXXXLF
	20020109-CXXXXXXLF
	20020110-CXXXXXXLF
	20020142-CXXXXXXLF
06-381	20020106-DXXXXXXLF
	20020107-DXXXXXXLF
	20020108-DXXXXXXLF
	20020109-DXXXXXXLF
	20020110-DXXXXXXLF
	20020111-DXXXXXXLF
30-350	20020129-CXXXXXXLF
	20020130-CXXXXXXLF
	20020131-CXXXXXXLF
30-381	20020129-DXXXXXXLF
	20020130-DXXXXXXLF
	20020131-DXXXXXXLF
37-381	20020132-DXXXXXXLF
	20020133-DXXXXXXLF
	20020134-DXXXXXXLF
	20020135-DXXXXXXLF
	20020136-DXXXXXXLF
	20020137-DXXXXXXLF
	20020138-DXXXXXXLF
20020139-DXXXXXXLF	
39-381	20020140-DXXXXXXLF



mat'l. code		surface ASME Y14.5 ✓	tolerance ASME Y14.5	projection 	product family TERMINAL BLOCK	
ltr	ecn no	dr	date	tolerances unless otherwise specified		title
D				angles X.±0.5	MM INCH	TERMINAL BLOCK CODING KEY (AG SERIES)
				X.X±0.3		
				X.XX±0.1		
		dr	WENDY CHEN	071410		dwg no 20020802
		enr	JASON HSU	071410		
		chr	GARY HSIEH	071410		
		appd	JOSEPH HSIA	071410		
sheet index	revision sheet					type CUSTOMER Drawing