



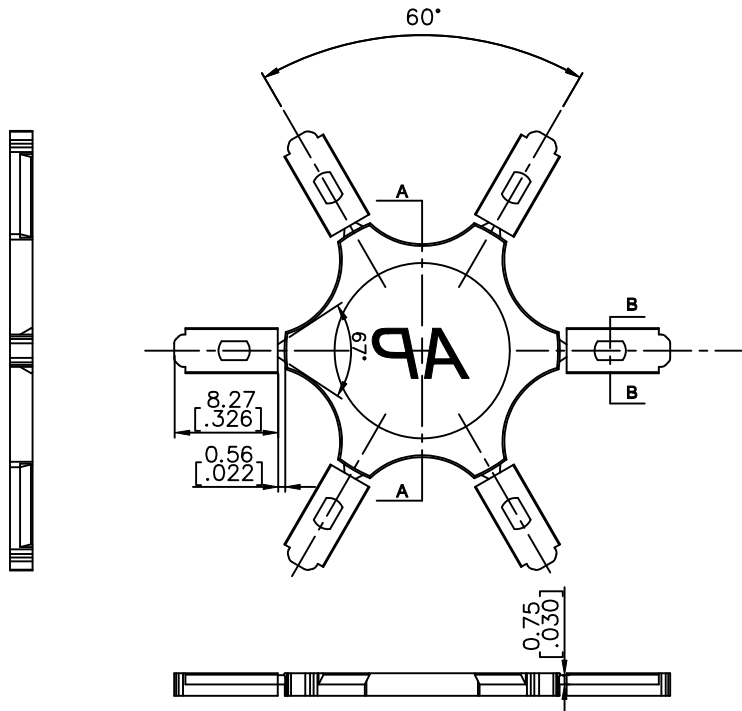
PRODUCT NUMBER
20020802-001LF

NOTES:

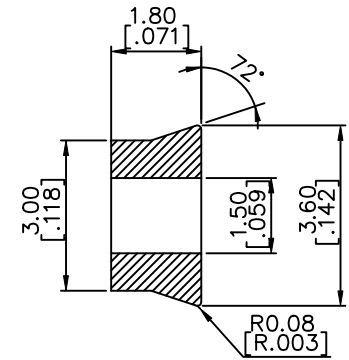
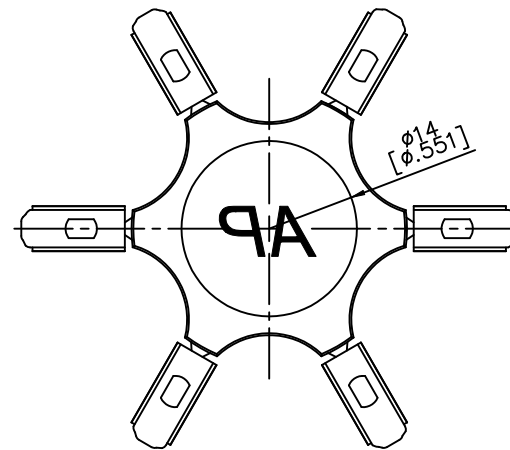
- 1. MATERIALS
HOUSING: THERMALPLASTIC RESIN, UL 94V-0 RATED.
- 2. PRODUCT PACKING SPECIFICATION REFER TO FCI GS-14-1394.
- 3. THE PRODUCTS WHERE THE PART NUMBER END IN "LF" MEET THE EUROPEAN UNION DIRECTIVE AND OTHER COUNTRY REGULATIONS AS DESCRIBED IN GS-22-008.

20020802-001LF CAN BE USED FOR BELOW LIST:

FCI series name	P/N	FCI series name	P/N
27-762	20020518-MXXXXXXLF	28-1016	20020520-UXXXXXXLF
	20020519-MXXXXXXLF		20020521-UXXXXXXLF
07-762	20020618-MXXXXXXLF	29-1016	20020623-UXXXXXXLF
	20020619-MXXXXXXLF		20020624-UXXXXXXLF
	20020620-MXXXXXXLF		20020625-UXXXXXXLF
	20020621-MXXXXXXLF		20020626-UXXXXXXLF
20020622-MXXXXXXLF	20020627-UXXXXXXLF		
20020516-MXXXXXXLF	20020628-UXXXXXXLF		
04-762	20020517-MXXXXXXLF		



Sec. A-A



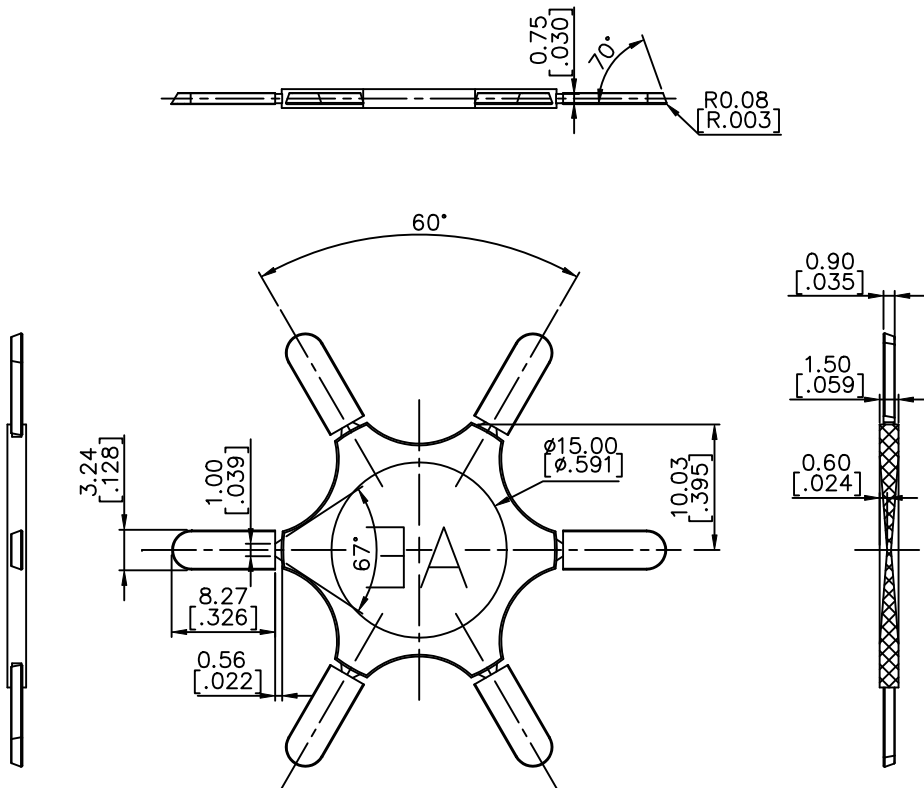
Section B-B

mat'l. code		surface ASME Y14.5		tolerance ASME Y14.5		projection		product family TERMINAL BLOCK	
ltr	ecn no	dr	date	tolerances unless otherwise specified		MM [INCH]		title TERMINAL BLOCK CODING KEY (AP SERIES)	
A	T10-0126	WL	080910	angles	X.±0.5	scale		dwg no 20020802	
B	T10-0182	WL	112910	int	X.X±0.3			sheet 1 of 5	
C	T11-0009	WL	021411	X'±1"	X.XX±0.1			size A4	
D	T-006380	WL	092911	dr	WENDY CHEN	071410		type CUSTOMER Drawing	
				enr	JASON HSU	071410			
				chr	GARY HSIEH	071410			
				appd	JOSEPH HSIA	071410			
sheet index	revision sheet	D	D	D	D	D	D		
		1	2	3	4	5			

PRODUCT NUMBER
20020802-002LF

NOTES:

1. MATERIALS
HOUSING: THERMALPLASTIC RESIN, UL 94V-0 RATED.
2. PRODUCT PACKING SPECIFICATION REFER TO FCI GS-14-1394.
3. THE PRODUCTS WHERE THE PART NUMBER END IN "LF" MEET THE EUROPEAN UNION DIRECTIVE AND OTHER COUNTRY REGULATIONS AS DESCRIBED IN GS-22-008.



20020802-002LF CAN BE USED FOR BELOW LIST:

FCI series name	P/N	FCI series name	P/N			
01-500	20020001-GXXXXXXLF	03-508	20020012-HXXXXXXLF			
	20020002-GXXXXXXLF		20020013-HXXXXXXLF			
	20020004-GXXXXXXLF		20020014-HXXXXXXLF			
	20020005-GXXXXXXLF		20020015-HXXXXXXLF			
01-508	20020007-GXXXXXXLF	03-750	20020514-LXXXXXXLF			
	20020001-HXXXXXXLF		20020515-LXXXXXXLF			
	01-750	20020002-HXXXXXXLF	03-762	20020514-MXXXXXXLF		
		20020004-HXXXXXXLF		20020515-MXXXXXXLF		
20020005-HXXXXXXLF		20020022-HXXXXXXLF				
01-762	20020007-HXXXXXXLF	32-508	20020023-HXXXXXXLF			
	20020500-LXXXXXXLF		20020024-HXXXXXXLF			
02-500	20020501-LXXXXXXLF		35-500	20020025-HXXXXXXLF		
	20020500-MXXXXXXLF			20020026-HXXXXXXLF		
	02-508			20020501-MXXXXXXLF	35-508	20020027-HXXXXXXLF
				20020008-GXXXXXXLF		20020035-GXXXXXXLF
20020009-GXXXXXXLF			20020036-GXXXXXXLF			
02-580	20020010-GXXXXXXLF		35-750	20020038-GXXXXXXLF		
	20020011-GXXXXXXLF			20020039-GXXXXXXLF		
	20020042-GXXXXXXLF			20020035-HXXXXXXLF		
	20020008-HXXXXXXLF			20020038-HXXXXXXLF		
02-750	20020009-HXXXXXXLF		35-762	20020534-LXXXXXXLF		
	20020010-HXXXXXXLF	20020535-LXXXXXXLF				
	20020011-HXXXXXXLF	20020536-LXXXXXXLF				
	20020508-LXXXXXXLF	20020537-LXXXXXXLF				
	20020509-LXXXXXXLF	20020538-LXXXXXXLF				
	20020510-LXXXXXXLF	20020539-LXXXXXXLF				
02-762	20020511-LXXXXXXLF	35-762	20020534-MXXXXXXLF			
	20020508-MXXXXXXLF		20020535-MXXXXXXLF			
	20020509-MXXXXXXLF		20020536-MXXXXXXLF			
	20020510-MXXXXXXLF		20020537-MXXXXXXLF			
03-500	20020511-MXXXXXXLF		20020538-MXXXXXXLF			
	20020012-GXXXXXXLF		20020539-MXXXXXXLF			
	20020013-GXXXXXXLF					

mat'l. code		surface ASME Y14.5 ✓	tolerance ASME Y14.5	projection 	product family TERMINAL BLOCK	
ltr	ecn no	dr	date	title		
tolerances unless otherwise specified					TERMINAL BLOCK	
angles					CODING KEY (AE SERIES)	
X±0.5				MM		
X.X±0.3				[INCH]		
X'±1"				scale		
dr WENDY CHEN 071410					sheet 2 of 5	
enr JASON HSU 071410					20020802	
chr GARY HSIEH 071410					A4	
appd JOSEPH HSIA 071410					CUSTOMER Drawing	
sheet index	revision sheet					



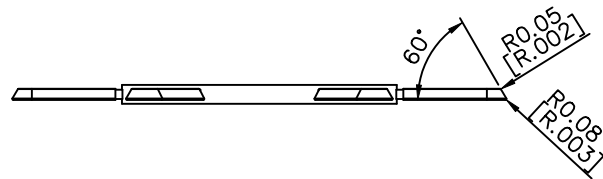
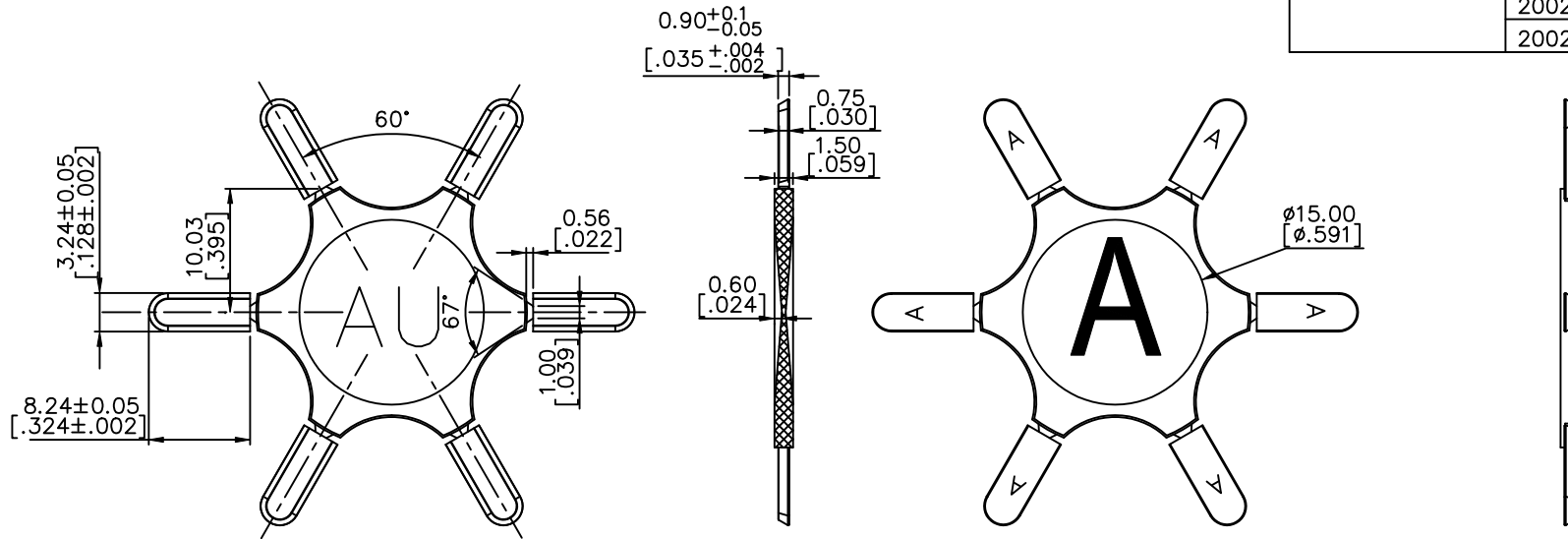
PRODUCT NUMBER
20020802-003LF

NOTES:

- 1. MATERIALS
HOUSING: THERMALPLASTIC RESIN, UL 94V-0 RATED.
- 2. PRODUCT PACKING SPECIFICATION REFER TO FCI GS-14-1394.
- 3. THE PRODUCTS WHERE THE PART NUMBER END IN "LF" MEET THE EUROPEAN UNION DIRECTIVE AND OTHER COUNTRY REGULATIONS AS DESCRIBED IN GS-22-008.

20020802-003LF CAN BE USED FOR BELOW LIST:

FCI series name	P/N
01-500	20020003-GXXXXXXLF
	20020006-GXXXXXXLF
01-508	20020003-HXXXXXXLF
	20020006-HXXXXXXLF
35-500	20020034-GXXXXXXLF
	20020037-GXXXXXXLF
35-508	20020034-HXXXXXXLF
	20020036-HXXXXXXLF
	20020037-HXXXXXXLF
	20020039-HXXXXXXLF



mat'l. code		surface ASME Y14.5	tolerance ASME Y14.5	projection MM INCH	product family TERMINAL BLOCK	
ltr	ecn no	dr	date	title		
tolerances unless otherwise specified				TERMINAL BLOCK CODING KEY (AE SERIES)		
D				scale	sheet 3 of 5	
					size A4	
		dr	WENDY CHEN 071410	FCI	type CUSTOMER Drawing	
		enr	JASON HSU 071410		20020802	
		chr	GARY HSIEH 071410			
		appd	JOSEPH HSIA 071410			
sheet index	revision sheet					



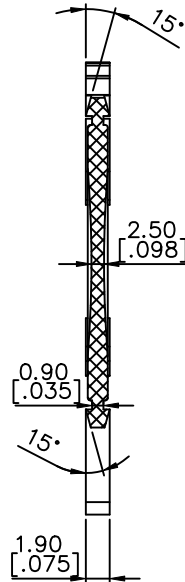
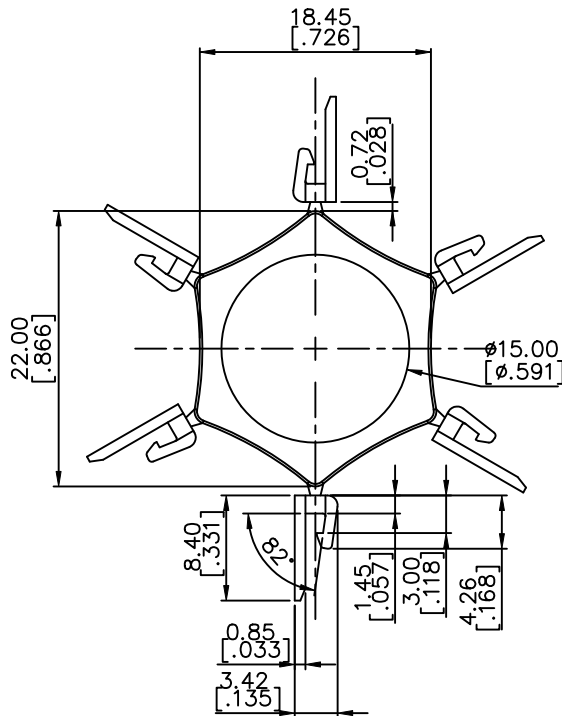
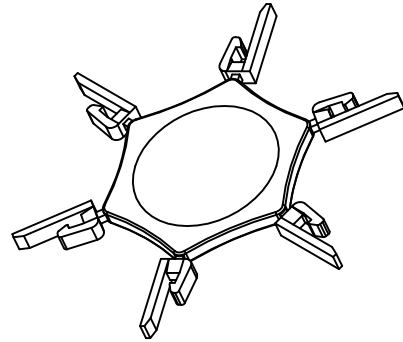
PRODUCT NUMBER
20020802-004LF

NOTES:

- MATERIALS
HOUSING: THERMALPLASTIC RESIN, UL 94V-0 RATED.
- PRODUCT PACKING SPECIFICATION REFER TO FCI GS-14-1394.
- THE PRODUCTS WHERE THE PART NUMBER END IN "LF" MEET THE EUROPEAN UNION DIRECTIVE AND OTHER COUNTRY REGULATIONS AS DESCRIBED IN GS-22-008.

20020802-004LF CAN BE USED FOR BELOW LIST:

FCI series name	P/N	FCI series name	P/N
06-500	20020106-GXXXXXXLF	06-762	20020606-MXXXXXXLF
	20020107-GXXXXXXLF		20020607-MXXXXXXLF
	20020108-GXXXXXXLF		20020608-MXXXXXXLF
	20020109-GXXXXXXLF		20020609-MXXXXXXLF
	20020110-GXXXXXXLF		20020610-MXXXXXXLF
	20020111-GXXXXXXLF		20020611-MXXXXXXLF
06-508	20020106-HXXXXXXLF	30-500	20020129-GXXXXXXLF
	20020107-HXXXXXXLF		20020130-GXXXXXXLF
	20020108-HXXXXXXLF		20020131-GXXXXXXLF
	20020109-HXXXXXXLF	30-508	20020129-HXXXXXXLF
	20020110-HXXXXXXLF		20020130-HXXXXXXLF
	20020111-HXXXXXXLF		20020131-HXXXXXXLF
06-750	20020141-HXXXXXXLF	X	
	20020606-LXXXXXXLF		
	20020607-LXXXXXXLF		
	20020608-LXXXXXXLF		
	20020609-LXXXXXXLF		
	20020610-LXXXXXXLF		
20020611-LXXXXXXLF			



mat'l. code		surface ASME Y14.5 ✓	tolerance ASME Y14.5	projection ⊕	product family TERMINAL BLOCK	
ltr	ecn no	dr	date	tolerances unless otherwise specified		title
D				angles X±0.5	MM [INCH]	TERMINAL BLOCK CODING KEY (AF SERIES)
				X'±1"		
					X.XX±0.1	
		dr	WENDY CHEN 071410	scale	dwg no	sheet 4 of 5
		enr	JASON HSU 071410		20020802	size A4
		chr	GARY HSIEH 071410		type	CUSTOMER Drawing
		appd	JOSEPH HSIA 071410			
sheet index	revision sheet					



Copyright FCI.



FCIconnect.com



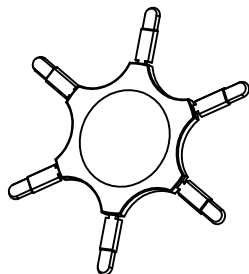
3



4

PRODUCT NUMBER
20020802-005LF

1 | 2

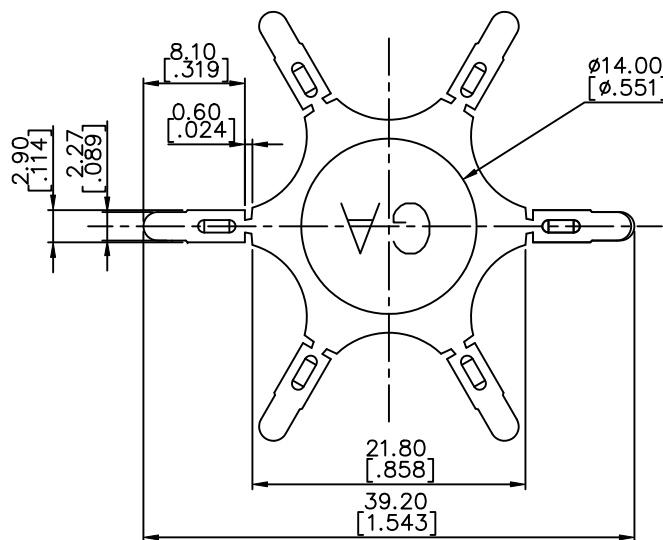
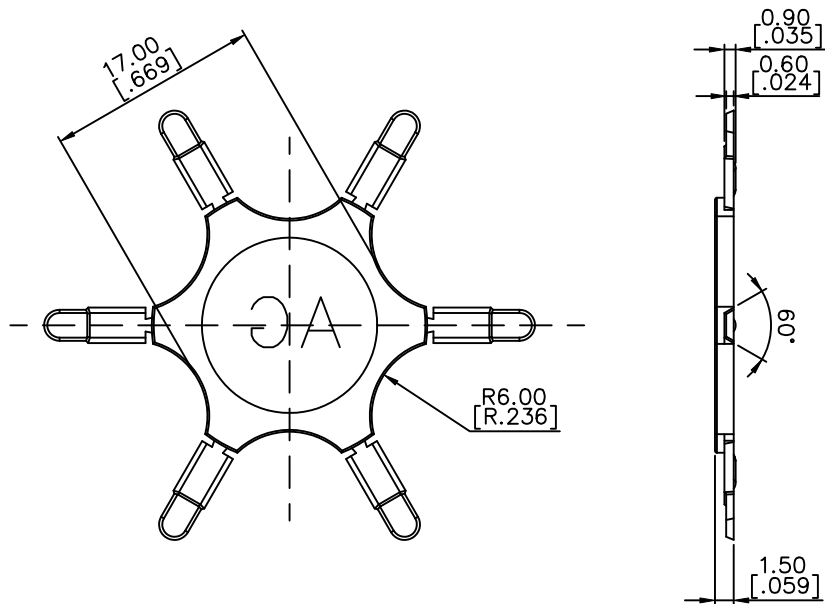


NOTES:

1. MATERIALS
HOUSING: THERMALPLASTIC RESIN, UL 94V-0 RATED.
2. PRODUCT PACKING SPECIFICATION REFER TO FCI GS-14-1394.
3. THE PRODUCTS WHERE THE PART NUMBER END IN "LF" MEET THE EUROPEAN UNION DIRECTIVE AND OTHER COUNTRY REGULATIONS AS DESCRIBED IN GS-22-008.

20020802-005LF CAN BE USED FOR BELOW LIST:

FCI series name	P/N
06-350	20020106-CXXXXXXLF
	20020107-CXXXXXXLF
	20020108-CXXXXXXLF
	20020109-CXXXXXXLF
	20020110-CXXXXXXLF
	20020142-CXXXXXXLF
06-381	20020106-DXXXXXXLF
	20020107-DXXXXXXLF
	20020108-DXXXXXXLF
	20020109-DXXXXXXLF
	20020110-DXXXXXXLF
	20020111-DXXXXXXLF
30-350	20020129-CXXXXXXLF
	20020130-CXXXXXXLF
	20020131-CXXXXXXLF
30-381	20020129-DXXXXXXLF
	20020130-DXXXXXXLF
	20020131-DXXXXXXLF
37-381	20020132-DXXXXXXLF
	20020133-DXXXXXXLF
	20020134-DXXXXXXLF
	20020135-DXXXXXXLF
	20020136-DXXXXXXLF
	20020137-DXXXXXXLF
	20020138-DXXXXXXLF
20020139-DXXXXXXLF	
39-381	20020140-DXXXXXXLF



mat'l. code		surface ASME Y14.5 ✓	tolerance ASME Y14.5	projection 	product family TERMINAL BLOCK	
ltr	ecn no	dr	date	tolerances unless otherwise specified		title
D				angles X.±0.5	MM INCH	TERMINAL BLOCK CODING KEY (AG SERIES)
				X.X±0.3		
				X.XX±0.1		
sheet index		revision sheet		dr	WENDY CHEN	071410
				enr	JASON HSU	071410
				chr	GARY HSIEH	071410
				appd	JOSEPH HSIA	071410
				FCI logo		type CUSTOMER Drawing
				dwg no		sheet 5 of 5
				20020802		A4