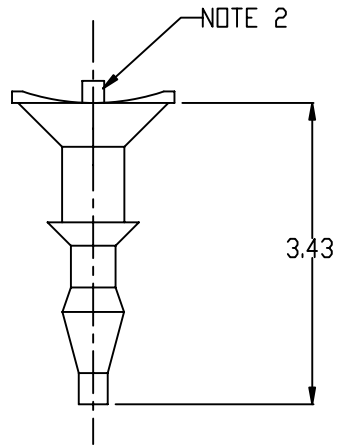
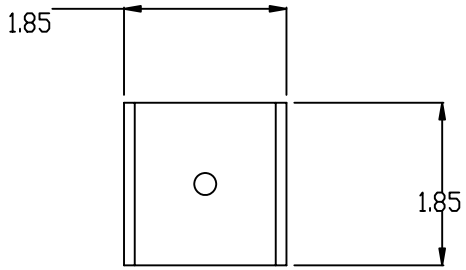


Tous droits strictement reserves. Reproduction ou communication a des tiers interdite sous quelque forme que ce soit sans autorisation écrite du propriétaire. Propriete de c FCI. Droits de reproduction FCI.

All rights strictly reserved. Reproduction or issue to third parties in any form whatever is not permitted without written authority from the proprietor. Property of FCI. Copyright FCI.



PRODUCT NO.  
65762-001



NOTES:

1. PRESS PLUG INTO PIN LEAD-IN OF HOUSING CAVITY AND BREAK OFF CARRIER.
2. 0.010/0.254 MAX. GATE PROTRUSION WHEN BROKEN FROM CARRIER.
3. MATERIAL: NYLON
4. MOLDED IN GROUPS OF 10 ATTACHED TO CARRIER.
5. THE P/N WITH "LF" SUFFIX IS LEAD FREE PART NUMBER;
6. THE PACKAGING FOR THE LEAD FREE P/N MEETS GS-14-920 SPECIFICATION;
7. FOR LEAD FREE P/N, THE PRODUCT MEETS EUROPEAN UNION DIRECTIVES AND OTHER COUNTRYREGULATION AS DESCRIBED IN GS-22-008;
8. FOR LEAD FREE P/N, THE PART WILL WITHSTAND EXPOSURE TO 260 DEGREE C, FOR 10 SECONDS IN A WAVE SOLDER APPLICATION.

mat'l code NYLON TYPE 6-6 WHITE				tolerances unless otherwise specified		CUSTOMER		 www.fciconnect.com	
ltr	ecr no.	dr	date	linear	.XX ± .01 /XX±.2		COPY		 title QUICKIE POLARIZING PLUG
A	ADD LATCH	DH	2-4-76		.XXX ± .005 /XX±.13		projection		
B	APPROVED	DEW	2-10-76	angles	.XXX ± .0020 /XX±.051		 product family QUICKIE		
C	V00806	DAI	4-18-00		0° ±2°		code NAN		
D	N05-0329	DT	12/09/05	dr	DH	2-18-91	INCH/MM scale 12:1		
				engr	T.EIKENBORDE	2-18-91	size A 65762		
				chr	M.MALTZE	2-18-91	sheet 1 of 1		
				appd	F.WILDING	2-18-91	cage code 22526		
sheet index	revision	D							
	sheet	1							

Pro/E

cage code 22526

PDM: Rev:D STATUS:Released

Printed: Nov 03, 2010