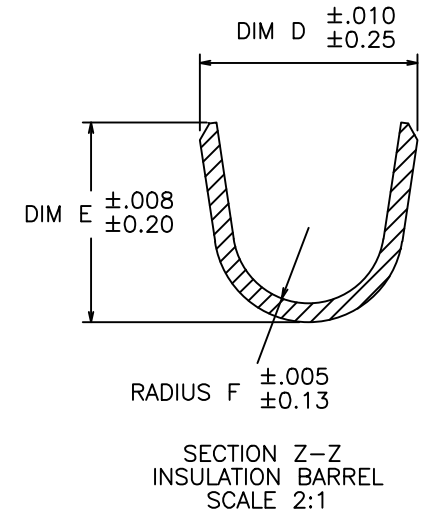
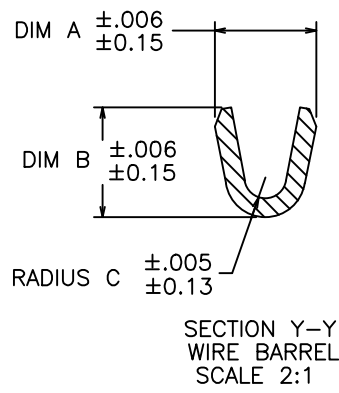
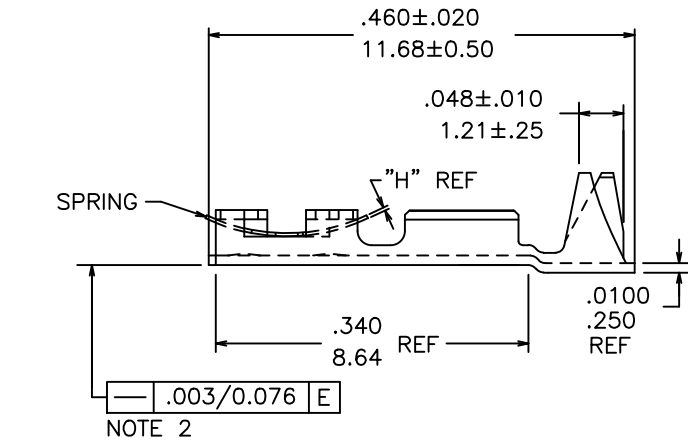
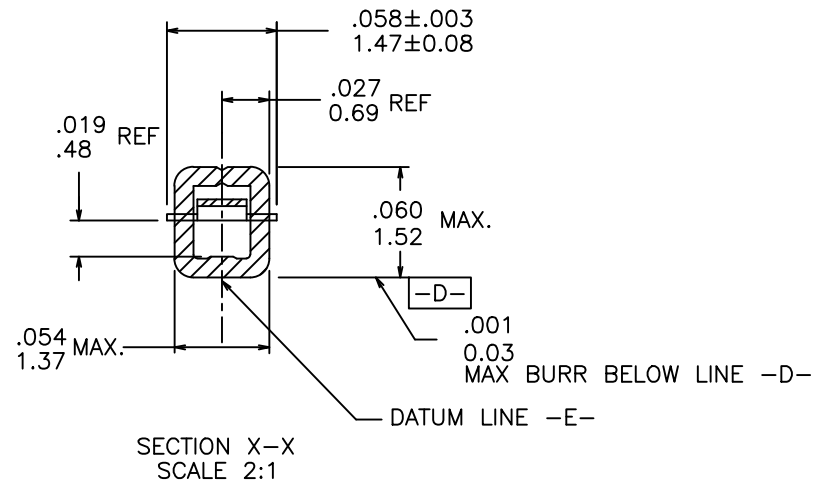
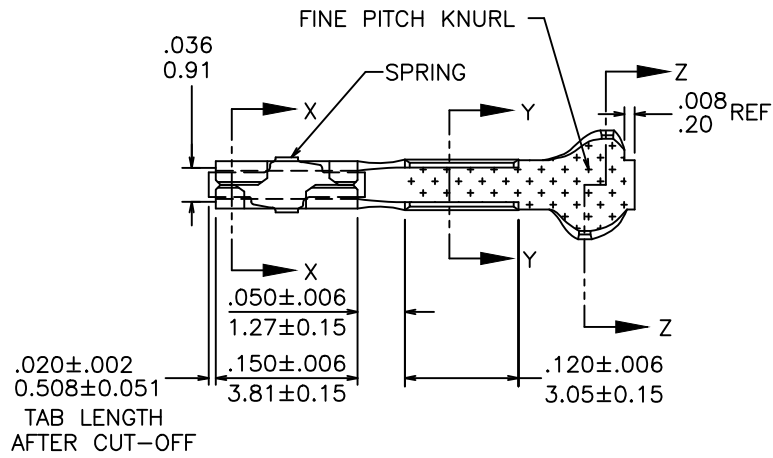
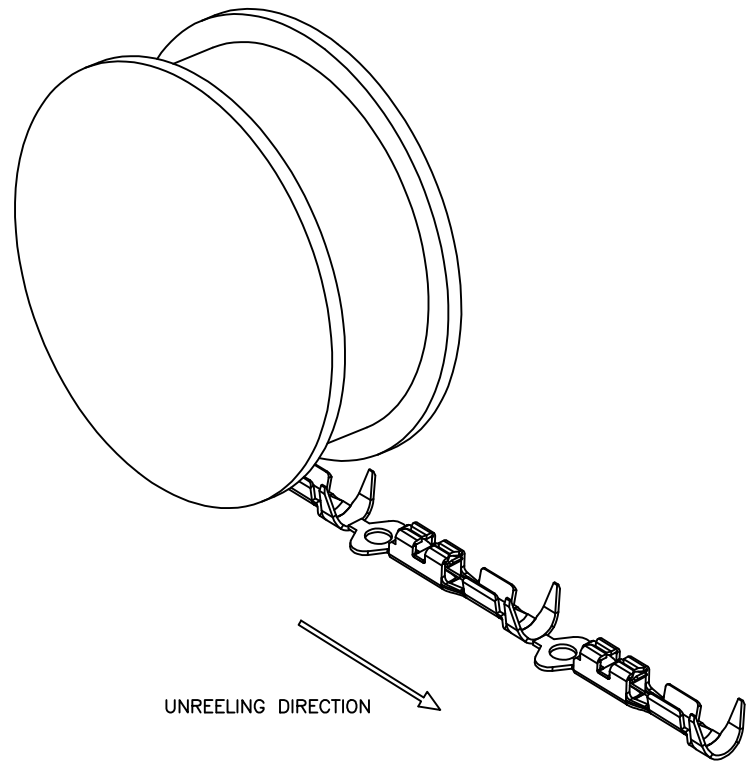


PRODUCT NUMBER  
SEE SHEET 3



|                          |                |         |             |                                       |                                      |      |      |                          |
|--------------------------|----------------|---------|-------------|---------------------------------------|--------------------------------------|------|------|--------------------------|
| mat'l. code<br>SEE TABLE |                | surface | tolerance   | projection                            | product family<br>PV TERMINALS       |      |      |                          |
| ltr                      | ecn no         | dr      | date        | tolerances unless otherwise specified | title                                |      |      |                          |
| AN                       | V12-0006       | HTB     | 12.01.05    | angles .XX±.01/.X±.3                  | MINI PV™ RECEPTACLE<br>CRIMP TO WIRE |      |      |                          |
| AP                       | F-21694        | AMA     | 15.08.18    | linear .XXX±.005/.XX±.13              |                                      |      |      |                          |
| AR                       | F-25007        | DDE     | 16.09.22    | linear .XXX±.0020/.XXX±.13            |                                      |      |      |                          |
|                          |                |         |             | linear .XXX±.0020/.XXX±.13            |                                      |      |      |                          |
|                          |                | dr      | A.MAISIERES | 15.07.16                              | dwg no                               |      |      |                          |
|                          |                | enr     | L.MULIN     | 15.07.16                              | sheet 1 of 5                         |      |      |                          |
|                          |                | chr     |             |                                       | size                                 |      |      |                          |
|                          |                | appd    | L.MULIN     | 15.07.16                              | 47212                                |      |      |                          |
|                          |                |         |             |                                       | A3                                   |      |      |                          |
| sheet index              | revision sheet | AR 1    | AR 2        | AR 3                                  | AR 4                                 | AR 5 | type | Product Customer Drawing |

| PRODUCT NUMBER<br>SEE SHEET 3 | WIRE BARREL  |           |           | INSULATION BARREL |                              |           |           | RECOMMENDED HANDTOOL FOR<br>LOOSE PIECE APPLICATION |          |
|-------------------------------|--------------|-----------|-----------|-------------------|------------------------------|-----------|-----------|---|----------|
|                               | AWG<br>RANGE | DIM A     | DIM B     | RADIUS C          | INSULATION DIAMETER<br>RANGE | DIM D     | DIM E     |   | RADIUS F |
|                               | 18-20        | .104/2.64 | .104/2.64 | .021/.53          | .042/1.07-.103/2.62          | .139/3.53 | .120/3.05 | .050/1.27   | HT-0073  |
|                               | 22-26        | .070/1.78 | .070/1.78 | .017/.43          | .036/.91-.103/2.62           | .139/3.53 | .120/3.05 | .050/1.27   | HT-0095  |
|                               | 28-32        | .054/1.37 | .058/1.47 | .011/.28          | .028/.71-.054/1.37           | .115/2.92 | .105/2.67 | .040/1.02   |          |



NOTES:


1. TERMINAL MATES WITH  $.025 \pm .002 / 0.64 \pm 0.05$  SQUARE OR ROUND PIN.
- ② WHEN MEASURED ALONG DATUM -E- WITHIN  $.340 / 8.64$  REF DIM.
3. PRODUCT SPECIFICATION: BUS-12-067.  
APPLICATION SPECIFICATIONS:  
 TA-75: TERMINAL DATA FOR USE WITH MINI LATCH HOUSING.  
 TA-146: TERMINAL DATA FOR CONTACTS NOT USED IN HOUSINGS.  
 TA-210: TERMINAL DATA FOR CONTACTS USED WITH MINI ROD HOUSINGS.  
 TA-228: APPLICATIONS USING 20 AWG WIRE.  
 TA-531: INSTALLING AND REMOVING TERMINALS.
- ④ PRODUCT MEETS EUROPEAN UNION DIRECTIVES AND OTHER COUNTRY REGULATIONS AS DESCRIBED IN GS-22-008.
5. THIS PRODUCT IS NOT INTENDED TO BE EXPOSED TO MANUFACTURING SOLDERING PROCESSES.
- ⑥ THIS PRODUCT HAS 100% TIN PLATING IN THE INTERFACE AND HAS NOT BEEN TESTED FOR WHISKER GROWTH IN ALL INTERCONNECT ENVIRONMENTS.
- ⑦ CONTACT SIDE OF TERMINAL WILL HAVE  $50 \mu\text{m} / 1.27 \mu\text{m}$  NICKEL UNDERPLATE OVERALL WITH GOLD FLASH REQUIRED INSIDE CONTACT BOX AND WIRE BARREL ONLY. BACKSIDE OF TERMINALS TO BE PLATED WITH  $30 \mu\text{m} / 0.76 \mu\text{m}$  NICKEL ONLY.

FCI  
 FCIconnect.com  
 Copyright FCI

|                          |                |   |             |                                       |                                      |
|--------------------------|----------------|---|-------------|---------------------------------------|--------------------------------------|
| mat'l. code<br>SEE TABLE |                | surface <input checked="" type="checkbox"/> | tolerance   | projection                            | product family<br>PV TERMINALS       |
| ltr                      | ecn no         | dr  | date        | tolerances unless otherwise specified | title                                |
| AN                       | V12-0006       | HTB   | 12.01.05    | angles linear .XX±.01/.X±.3           | MINI PV™ RECEPTACLE<br>CRIMP TO WIRE |
| AP                       | F-21694        | AMA   | 15.08.18    | .XXX±.005/.XXX±.13                    |                                      |
| AR                       | F-25007        | DDE   | 16.09.22    | .XXX±.0020/.XXX±.13                   | INCH/MM<br>scale 1:1                 |
|                          |                | dr  | A.MAISIERES | 15.07.16                              |                                      |
|                          |                | enr   | L.MULIN     | 15.07.16                              |                                      |
|                          |                | chr   |             |                                       |                                      |
|                          |                | app   | L.MULIN     | 15.07.16                              | dwg no                               |
| sheet index              | revision sheet |   |             |                                       | 47212                                |
|                          |                |   |             |                                       | sheet 2 of 5 size A3                 |
|                          |                |   |             |                                       | type Product Customer Drawing        |

| MATERIAL & PLATING   |   | SPRING THICKNESS<br>DIM H±.0005/0.012 | AWG<br>RANGE | REELED<br>NOTE 4 | LOOSE<br>NOTE 4 | PLATING AVAILABILITY |        |      |        |      |        |     |
|--|---|---------------------------------------|--------------|------------------|-----------------|----------------------|--------|------|--------|------|--------|-----|
| 1/4 HARD BRASS BODY  | Be/Cu SPRING  |                                       |              |                  |                 | -000                 | -000LF | -001 | -001LF | -002 | -002LF |     |
| CONTACT AREA<br>UNDERPLATING:<br>50μ"/1.27μ Ni<br>CONTACT AREA:<br>15μ"/0.38μ Au<br>INSIDE BOX AREA:<br>-000LF Au FLASH<br>-001LF 15μ"/0.38μ Au<br>-002LF 6μ"/0.15μ Au<br>REMAINDER:<br>-000LF SEE NOTE 7<br>-001LF 15μ"/0.38μ Au<br>-002LF Au FLASH | Au FLASH  | .0035/0.089                           | 18-20        | 48241            | 48250           | NO                   | YES    | NO   | NO     | NO   | NO     |     |
|  |   |                                       | 22-26        | 48242            | 48251           | NO                   | YES    | NO   | NO     | NO   | NO     |     |
|  |   |                                       | 28-32        | 48243            | 48252           | NO                   | YES    | NO   | NO     | NO   | NO     |     |
|  |   | .0048/0.122                           | 18-20        | 48244            | 48253           | NO                   | YES    | NO   | NO     | NO   | NO     |     |
|  |   |                                       | 22-26        | 48245            | 48254           | NO                   | YES    | NO   | NO     | NO   | NO     |     |
|  |   |                                       | 28-32        | 48246            | 48255           | NO                   | YES    | NO   | NO     | NO   | NO     |     |
|  | .0065/0.165   | 18-20                                 | 48247        | 48256            | NO              | YES                  | NO     | NO   | NO     | NO   |        |     |
|  |   | 22-26                                 | 48248        | 48257            | NO              | YES                  | NO     | NO   | NO     | NO   |        |     |
|  |   | 28-32                                 | 48249        | 48258            | NO              | YES                  | NO     | NO   | NO     | NO   |        |     |
|  | CONTACT AREA<br>UNDERPLATING:<br>50μ"/1.27μ Ni<br>CONTACT AREA:<br>30μ"/0.76μ Au<br>INSIDE BOX AREA:<br>-000LF Au FLASH<br>-001LF 30μ"/0.76μ Au<br>-002LF 8μ"/0.2μ Au<br>REMAINDER:<br>-000LF SEE NOTE 7<br>-001LF 30μ"/0.76μ Au<br>-002LF Au FLASH | Au FLASH                              | .0035/0.089  | 18-20            | 48231           | 48266                | NO     | YES  | NO     | NO   | NO     |     |
|  |   |                                       |              | 22-26            | 48049           | 48235                | NO     | YES  | NO     | NO   | NO     | YES |
|  |   |                                       |              | 28-32            | 48048           | 48238                | NO     | YES  | NO     | NO   | NO     | YES |
| .0048/0.122  |   |                                       | 18-20        | 48047            | 48232           | NO                   | YES    | NO   | NO     | NO   | YES    |     |
|  |   |                                       | 22-26        | 48046            | 48234           | NO                   | YES    | NO   | NO     | NO   | YES    |     |
|  |   |                                       | 28-32        | 48045            | 48237           | NO                   | YES    | NO   | NO     | NO   | YES    |     |
| .0065/0.165  |   | 18-20                                 | 48052        | 48233            | NO              | YES                  | NO     | NO   | NO     | YES* |        |     |
|  |   | 22-26                                 | 48051        | 48236            | NO              | YES                  | NO     | NO   | NO     | YES  |        |     |
|  |   | 28-32                                 | 48050        | 48239            | NO              | YES                  | NO     | NO   | NO     | YES  |        |     |

\* LOOSE PIECE NOT AVAILABLE

|                          |                |         |             |                                       |   |
|--------------------------|----------------|---------|-------------|---------------------------------------|---|
| mat'l. code<br>SEE TABLE |                | surface | tolerance   | projection                            | product family<br>PV TERMINALS  |
| ltr                      | ecn no         | dr      | date        | tolerances unless otherwise specified | title   |
| AN                       | V12-0006       | HTB     | 12.01.05    | linear .XX±.01/.X±.3                  | MINI PV™ RECEPTACLE<br>CRIMP TO WIRE  |
| AP                       | F-21694        | AMA     | 15.08.18    | linear .XXX±.005/.XXX±.13             |   |
| AR                       | F-25007        | DDE     | 16.09.22    | linear .XXX±.0020/.XXX±.005           | scale 1:1   |
|                          |                | dr      | A.MAISIERES | 15.07.16                              |  |
|                          |                | enr     | L.MULIN     | 15.07.16                              |   |
|                          |                | chr     |             |                                       |   |
|                          |                | app     | L.MULIN     | 15.07.16                              | dwg no  |
| sheet index              | revision sheet |         |             |                                       | 47212   |
|                          |                |         |             |                                       | sheet 3 of 5  |
|                          |                |         |             |                                       | size A3   |
|                          |                |         |             |                                       | type Product Customer Drawing   |



Copyright FCJ

| 1   MATERIAL & PLATING   |              | 2   3   SPRING THICKNESS |           |               |              | 4   5   PLATING AVAILABILITY |        |      |        |      |        | 6  |  |  |
|--|--------------|--------------------------|-----------|---------------|--------------|------------------------------|--------|------|--------|------|--------|----|--|--|
| 1/4 HARD BRASS BODY  | Be/Cu SPRING | DIM H±.0005/0.012        | AWG RANGE | REELED NOTE 4 | LOOSE NOTE 4 | -000                         | -000LF | -001 | -001LF | -002 | -002LF |    |  |  |
| CONTACT AREA<br>UNDERPLATING:<br>50µ"/1.27µ Ni<br>CONTACT AREA:<br>40µ"/1.02µ Au<br>INSIDE BOX AREA:<br>-000LF Au FLASH<br>-001LF 8µ"/0.2µ Au<br>-002LF 8µ"/0.2µ Au<br>REMAINDER:<br>-000LF SEE NOTE 7<br>-001LF 8µ"/0.2µ Au<br>-002LF Au FLASH            | Au FLASH     | .0035/0.089              | 18-20     | 48276         | N/A          | NO                           | NO     | NO   | NO     | NO   | YES    |    |  |  |
|  |              |                          | 22-26     | 47457         | 47743        | NO                           | YES    | NO   | YES    | NO   | YES    |    |  |  |
|  |              |                          | 28-32     | 47456         | 47742        | NO                           | YES    | NO   | YES    | NO   | YES    |    |  |  |
|  |              | .0048/0.122              | 18-20     | 47441         | 47713        | NO                           | YES    | NO   | YES    | NO   | YES    |    |  |  |
|  |              |                          | 22-26     | 47439         | 47712        | NO                           | YES    | NO   | YES    | NO   | YES    |    |  |  |
|  |              |                          | 28-32     | 47437         | 47711        | NO                           | YES    | NO   | YES    | NO   | YES    |    |  |  |
|  |              | .0065/0.165              | 18-20     | 47566         | 47746        | NO                           | YES    | NO   | YES    | NO   | YES    |    |  |  |
|  |              |                          | 22-26     | 47565         | 47745        | NO                           | YES    | NO   | YES    | NO   | YES    |    |  |  |
|  |              |                          | 28-32     | 47564         | 47744        | NO                           | YES    | NO   | YES    | NO   | YES    |    |  |  |
|  |              | DISCONTINUED             |           |               |              | 48191                        | 48194  |      |        |      |        |    |  |  |
|  |              | DISCONTINUED             |           |               |              | 48192                        | 48195  |      |        |      |        |    |  |  |
|  |              | DISCONTINUED             |           |               |              | 48193                        | 48196  |      |        |      |        |    |  |  |
| CONTACT AREA<br>UNDERPLATING:<br>50µ"/1.27µ Ni<br>CONTACT AREA:<br>75µ"/1.91µ Au<br>INSIDE BOX AREA:<br>-000LF Au FLASH<br>-001LF 75µ"/1.91µ Au<br>-002LF 30µ"/0.76µ Au<br>REMAINDER:<br>-000LF SEE NOTE 7<br>-001LF 75µ"/1.91µ Au<br>-002LF 15µ"/0.38µ Au | Au FLASH     | .0035/0.089              | 18-20     | 47785         | 48014        | NO                           | YES    | NO   | NO     | NO   | NO     |    |  |  |
|  |              |                          | 22-26     | 47216         | 47706        | NO                           | YES    | NO   | NO     | NO   | NO     | NO |  |  |
|  |              | .0048/0.122              | 28-32     | 47212         | 47705        | NO                           | YES    | NO   | NO     | NO   | NO     | NO |  |  |
|  |              |                          |           |               |              |                              |        |      |        |      |        |    |  |  |
|  |              |                          |           |               |              |                              |        |      |        |      |        |    |  |  |
|  |              |                          |           |               |              |                              |        |      |        |      |        |    |  |  |



Copyright FCJ

|                          |                |                                       |             |            |                               |
|--------------------------|----------------|---------------------------------------|-------------|------------|-------------------------------|
| mat'l. code<br>SEE TABLE |                | surface                               | tolerance   | projection | product family                |
| ltr ecn no dr date       |                | tolerances unless otherwise specified |             |            | PV TERMINALS                  |
| AN                       | V12-0006       | HTB                                   | 12.01.05    | INCH/MM    | title                         |
| AP                       | F-21694        | AMA                                   | 15.08.18    | linear     | MINI PV™ RECEPTACLE           |
| AR                       | F-25007        | DDE                                   | 16.09.22    | linear     | CRIMP TO WIRE                 |
|                          |                | dr                                    | A.MAISIERES | 15.07.15   | dwg no                        |
|                          |                | enr                                   | L.MULIN     | 15.07.15   | sheet 4 of 5                  |
|                          |                | chr                                   |             |            | size                          |
|                          |                | app                                   | L.MULIN     | 15.07.15   | A3                            |
| sheet index              | revision sheet |                                       |             |            | type Product Customer Drawing |

| MATERIAL & PLATING  |              | SPRING THICKNESS<br>DIM H±.0005/0.012 | AWG<br>RANGE | REELED<br>NOTE 4 | LOOSE<br>NOTE 4 | PLATING AVAILABILITY |        |      |        |      |        |
|---|--------------|---------------------------------------|--------------|------------------|-----------------|----------------------|--------|------|--------|------|--------|
| 1/4 HARD BRASS BODY   | Be/Cu SPRING |                                       |              |                  |                 | -000                 | -000LF | -001 | -001LF | -002 | -002LF |
| PRE-PLATED:<br>-000LF 100-160µ"<br>2.54-4.06µ<br>Sn (LEAD-FREE)<br>NOTE 6 | Sn PLATED    | .0035/0.089                           | 22-26        | 47445            | 47747           | NO                   | YES    | NO   | NO     | NO   | NO     |
|   |              |                                       | 28-32        | 47446            | 47748           | NO                   | YES    | NO   | NO     | NO   | NO     |
|   |              | .0048/0.122                           | 18-20        | 47221            | 47716           | NO                   | YES    | NO   | NO     | NO   | NO     |
|   |              |                                       | 22-26        | 47217            | 47715           | NO                   | YES    | NO   | NO     | NO   | NO     |
|   |              |                                       | 28-32        | 47213            | 47714           | NO                   | YES    | NO   | NO     | NO   | NO     |
|   |              |                                       | 18-20        | 47648            | 47749           | NO                   | YES    | NO   | NO     | NO   | NO     |
|   |              | .0065/0.165                           | 22-26        | 47649            | 47750           | NO                   | YES    | NO   | NO     | NO   | NO     |
|   |              |                                       | 28-32        | 47650            | 47751           | NO                   | YES    | NO   | NO     | NO   | NO     |



Copyright FCI

|                          |                |         |             |                                       |                                      |
|--------------------------|----------------|---------|-------------|---------------------------------------|--------------------------------------|
| mat'l. code<br>SEE TABLE |                | surface | tolerance   | projection                            | product family<br>PV TERMINALS       |
| ltr                      | ecn no         | dr      | date        | tolerances unless otherwise specified | title                                |
| AN                       | V12-0006       | HTB     | 12.01.05    | angles                                | MINI PV™ RECEPTACLE<br>CRIMP TO WIRE |
| AP                       | F-21694        | AMA     | 15.08.18    | linear                                |                                      |
| AR                       | F-25007        | DDE     | 16.09.22    |                                       | INCH/MM                              |
|                          |                |         |             |                                       | scale 1:1                            |
|                          |                | dr      | A.MAISIERES | 15.07.15                              | FCI                                  |
|                          |                | enr     | L.MULIN     | 15.07.15                              |                                      |
|                          |                | chr     |             |                                       |                                      |
|                          |                | app     | L.MULIN     | 15.07.15                              |                                      |
| sheet index              | revision sheet |         |             |                                       | dwg no<br>47212                      |
|                          |                |         |             |                                       | sheet 5 of 5                         |
|                          |                |         |             |                                       | size<br>A3                           |
|                          |                |         |             |                                       | type<br>Product Customer Drawing     |

form: A3