



2.54 mm section



Product Catalog



2.54 mm (.100")

TECHNICAL DATA

PHYSICAL

- Housing: High temperature, black thermoplastic
- Flammability rating: UL 94 V-0
- Pin: Phosphor-bronze
- Plating: Gold/GXT or tin over 1.27 μm (50 μ") nickel



ELECTRICAL PERFORMANCE

- Current rating: 3 A continuous
- Insulation resistance: 5000 MΩ min.
- Dielectric withstanding voltage: 1500 V

MECHANICAL PERFORMANCE

- Pin retention to housing: 8.8 N min.
- Retentive leg insertion force: >44.48 N max.
- Retentive leg board retention: 2.22 N

OPERATING TEMPERATURE RANGE

- -65°C to +125°C

PACKAGING

- Standard: Bags
- Optional: Tubes or
Tape-and-reel with pick-up cap

REFERENCE INFORMATION

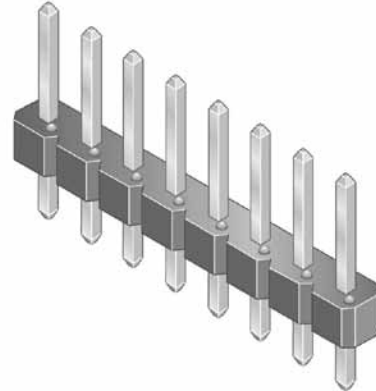
- File no. E66906
- File no. LR46923
- Product drawing: By 5-digit base part number
- Product specification: BUS-12-114
specifications subject to change without notice

PROCESSING INFORMATION

- Compatible with wave, vapor-phase, and IR reflow soldering processes

RoHs INFORMATION

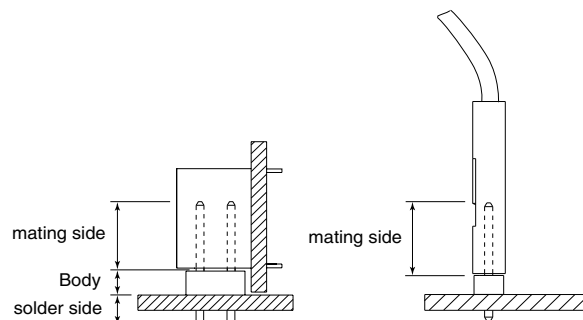
- This product is RoHs compatible according to the European Union Directive 2002/95/IEC



MATING DATA

■ Dubox™ Crimp-to-wire contacts	30
■ Dubox™ Crimp-to-wire housings	32
■ Dubox™ Vertical receptacles	20
■ Dubox™ Low profile vertical receptacles	22, 24
■ Dubox™ Horizontal receptacles	26
■ Quickie™ IDC receptacles	46
■ PV™ Crimp-to-Wire Contacts	36
■ PV™ Crimp-to-Wire Housings	38

TYPICAL APPLICATIONS



BergStik® Unshrouded Header, Vertical, Standard Sizes

PART NUMBERS



1 = 0.76 μm (30μ") gold / GXT
 2 = 0.38 μm (15μ") gold / GXT
 4 = tin

01 to 36 = Single row
 02 to 72 = Double row

Single Row

Base PN	Post		Tail		OAL	
	mm	(inch)	mm	(inch)	mm	(inch)
68000	5.84	0.230	2.41	0.095	10.80	0.425
68001	5.84	0.230	3.05	0.120	11.43	0.450
68002	5.84	0.230	3.81	0.150	12.19	0.480
78511	8.08	0.318	3.05	0.120	13.67	0.538
68024	8.08	0.318	3.81	0.150	14.43	0.568

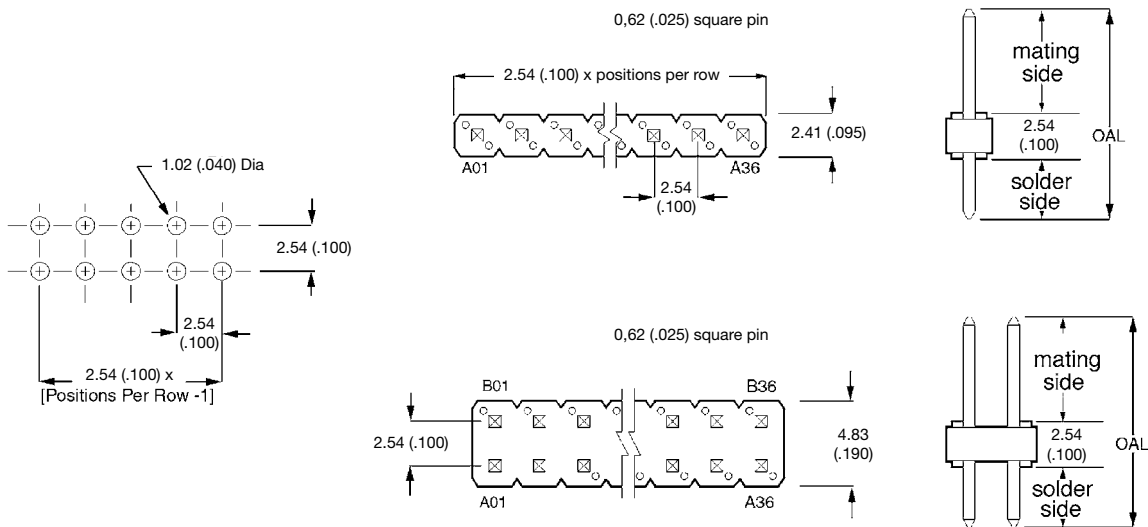
Double Row

Base PN	Post		Tail		OAL	
	mm	(inch)	mm	(inch)	mm	(inch)
67996	5.84	0.230	2.41	0.095	10.80	0.425
67997	5.84	0.230	3.05	0.120	11.43	0.450
68602	5.84	0.230	3.81	0.150	12.19	0.480
68691	8.08	0.318	3.05	0.120	13.67	0.538
78233	8.08	0.318	3.81	0.150	14.43	0.568

68000 - 1XXHLF
 68001 - 1XXHLF
 68002 - 1XXHLF
 XX = 04, 06, 08, 10, 12, 16, 20

67996 - 1XXHLF
 67997 - 1XXHLF
 68602 - 1XXHLF
 XX = 04, 06, 08, 10, 12, 16, 20

PRODUCT



Dimension : mm (inch)

TECHNICAL DATA

PHYSICAL

- Housing: High temperature, black thermoplastic
- Flammability rating: UL 94 V-0
- Pin: Phosphor-bronze
- Plating: Gold/GXT or tin over 1.27 µm (50 µ") nickel

ELECTRICAL PERFORMANCE

- Current rating: 3 A continuous
- Insulation resistance: 5000 MΩ min.
- Dielectric withstanding voltage: 1500 V

MECHANICAL PERFORMANCE

- Pin retention to housing: 9 N min.



OPERATING TEMPERATURE RANGE

- -65°C to +125°C

PACKAGING

- Standard: Bags
- Optional: Tubes or
Tape-and-reel with pick-up cap
(SMT pin style 01 only)

REFERENCE INFORMATION

-  File no. E66906
-  File no. LR46923
- Product drawing: By 5-digit base part number
- Product specification: BUS-12-114
- Tape and Reel packaging data: TA-840

PROCESSING INFORMATION

- Compatible with wave, vapor-phase, and (for SMT) IR reflow soldering processes
- Recommended IR profile TA 842 for SMT

RoHs INFORMATION

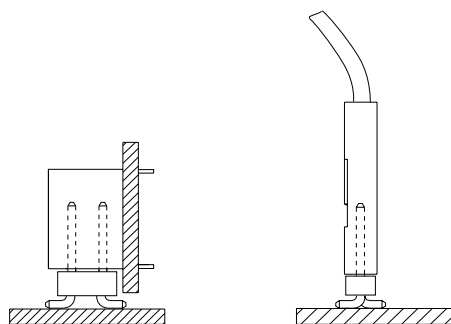
- This product is RoHs compatible according to the European Union Directive 2002/95/IEC



MATING DATA

■ Dubox™ Crimp-to-wire contacts	30
■ Dubox™ Crimp-to-wire housings	32
■ Dubox™ Vertical receptacles	20
■ Dubox™ Low profile vertical receptacles	22, 24
■ Dubox™ Horizontal receptacles	26
■ Quickie™ IDC receptacles	46
■ PV™ Crimp-to-Wire Contacts	36
■ PV™ Crimp-to-Wire Housings	38

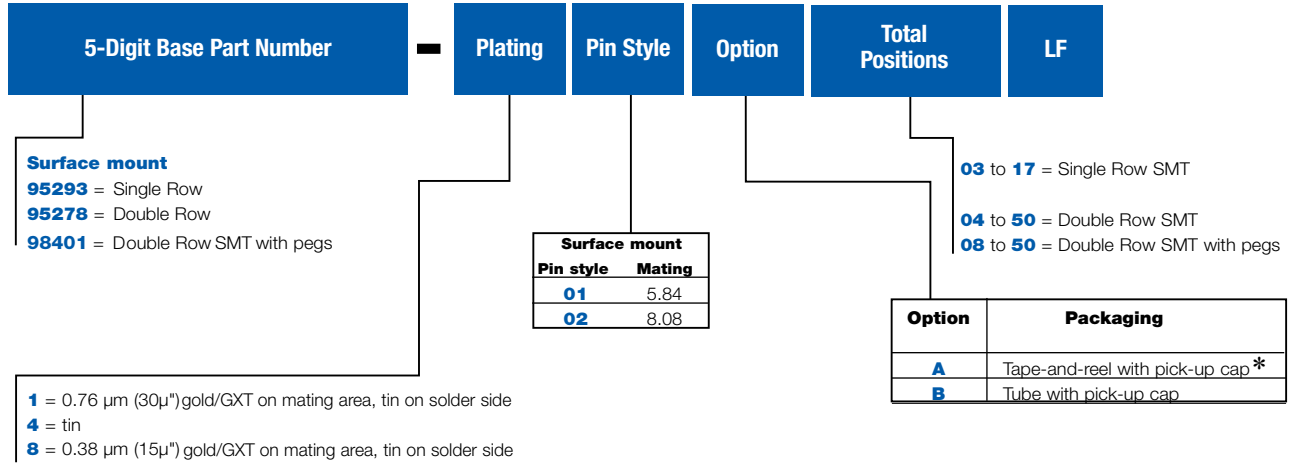
TYPICAL APPLICATIONS



BergStik® Unshrouded Header, Vertical, Surface Mount

2.54 mm (.100")

PART NUMBERS

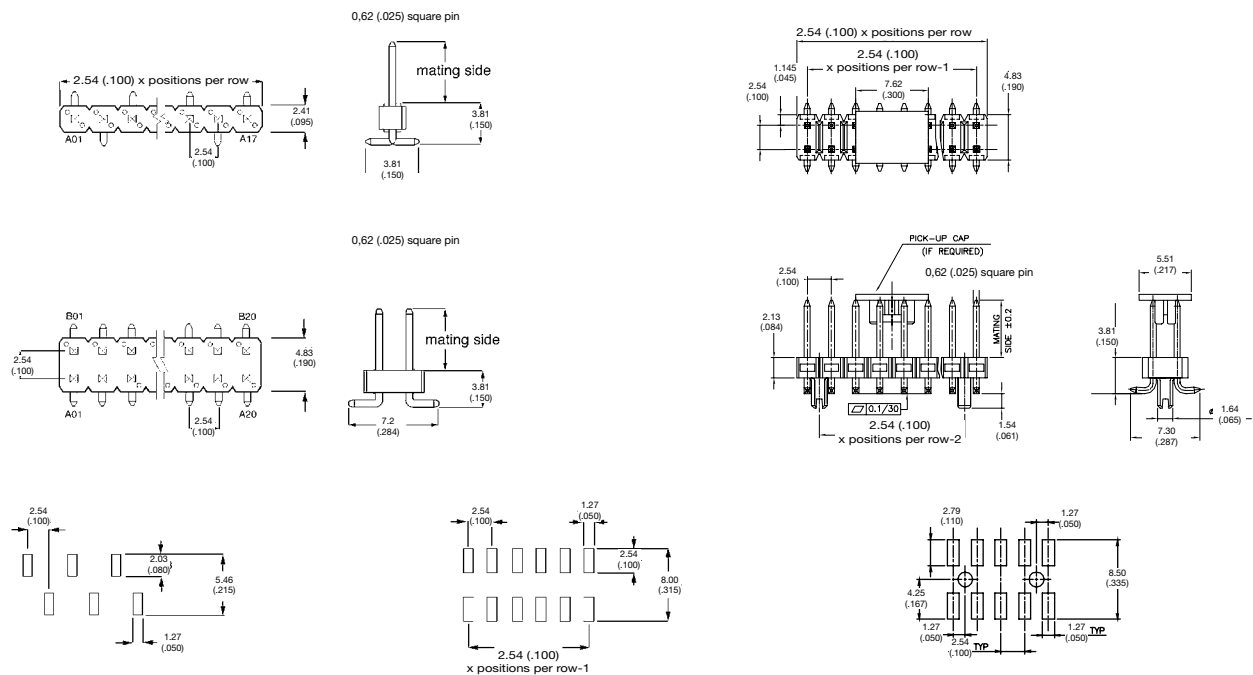


95278 - 101 A XXLF
 XX = 04, 06, 08, 10, 12, 16, 20

CORE RANGE

*as available

PRODUCT



Dimension : mm (inch)

Recommended PCB layouts

FEATURES

- Continuously molded and reeled
- High temperature plastic
- Various lengths cut from 1 part number
- Benchtop machine cuts, polarizes, and applies retentive leg

TECHNICAL DATA

PHYSICAL

- Housing: High temperature, black thermoplastic
- Flammability rating: UL 94 V-0
- Pin: Phosphor-bronze
- Plating: Gold/GXT or tin over 1.27 μm (50 μin) nickel



ELECTRICAL PERFORMANCE

- Current rating: 3 A continuous
- Insulation resistance: 5000 M Ω min.
- Dielectric withstanding voltage: 1500 V

MECHANICAL PERFORMANCE

- Pin retention to housing: 9 N min.

OPERATING TEMPERATURE RANGE

- 65°C to +125°C

PACKAGING

- Reel

REFERENCE INFORMATION

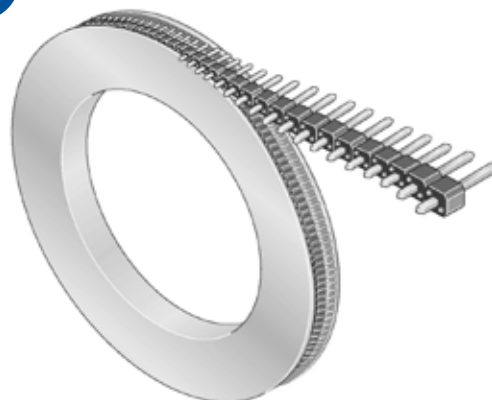
- File no. E66906
- File no. LR46923
- Product drawing: 54101 or 54102
- Product specification: BUS-12-059

PROCESSING INFORMATION

- Compatible with wave, vapor-phase, and IR reflow soldering processes

RoHs INFORMATION

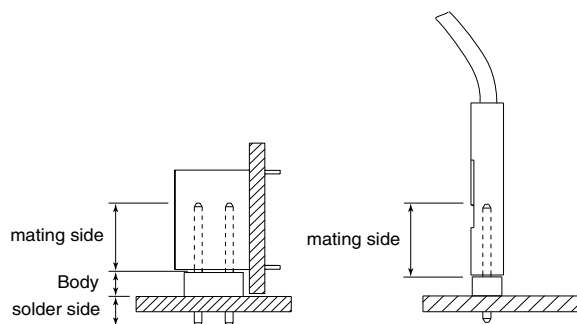
- This product is RoHs compatible according to the European Union Directive 2002/95/IEC



MATING DATA

Dubox™ Crimp-to-wire contacts	30
Dubox™ Crimp-to-wire housings	32
Dubox™ Vertical receptacles	20
Dubox™ Low profile vertical receptacles	22, 24
Dubox™ Horizontal receptacles	26
Quickie™ IDC receptacles	46
PV™ Crimp-to-Wire Contacts	36
PV™ Crimp-to-Wire Housings	38

TYPICAL APPLICATIONS



BergStrip® Unshrouded Header, Continuous

PART NUMBERS



- 1 = 0.76µm (30µ") gold /GXT
- 2 = 0.38µm (15µ") gold / GXT
- 4 = tin

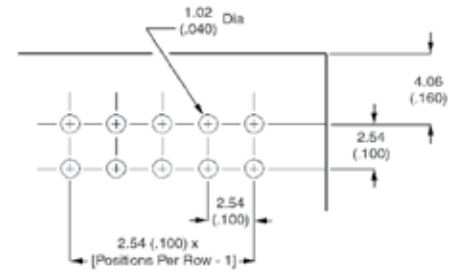
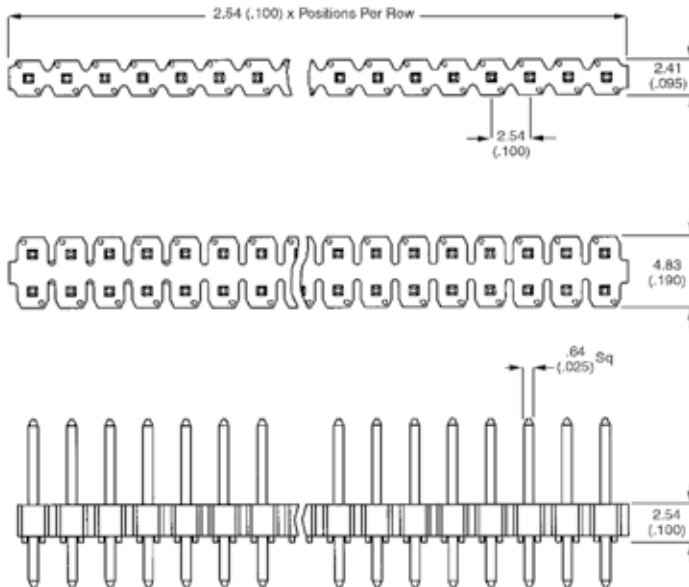
Single Row

Base PN	mating side		solder side		OAL	
	mm	(in.)	mm	(in.)	mm	(in.)
68000	5.84	0.230	2.41	0.095	10.80	0.425
68001	5.84	0.230	3.05	0.120	11.43	0.450
68002	5.84	0.230	3.81	0.150	12.19	0.480

Double Row

Base PN	mating side		solder side		OAL	
	mm	(in.)	mm	(in.)	mm	(in.)
67996	5.84	0.230	2.41	0.095	10.80	0.425
67997	5.84	0.230	3.05	0.120	11.43	0.450
68602	5.84	0.230	3.81	0.150	12.19	0.480

PRODUCT



Recommended PCB layouts

Dimension : mm (inch)

2.54 mm (.100")

FEATURES

- High temperature plastic
- Selective plating

TECHNICAL DATA

PHYSICAL

- Housing: High temperature, black thermoplastic
- Flammability rating: UL 94 V-0
- Pin: Phosphor-bronze
- Plating: Gold/GXT or tin over 1.27 μm (50 μ") nickel



ELECTRICAL PERFORMANCE

- Current rating: 3 A continuous
- Insulation resistance: 5000 MΩ min.
- Dielectric withstanding voltage: 1500 V

MECHANICAL PERFORMANCE

- Pin retention to housing: 8.8 N min.
- Retentive leg insertion force: >44.48 N max.
- Retentive leg board retention: 2.22 N

OPERATING TEMPERATURE RANGE

- 65°C to +125°C

PACKAGING

- Bags

REFERENCE INFORMATION

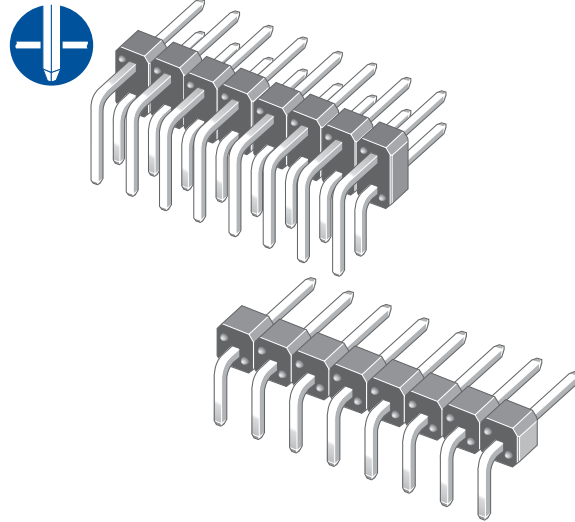
- File no. E66906
- File no. LR46923
- Product drawing: 55101 or 55102
- Product specification: BUS-12-114

PROCESSING INFORMATION

- Compatible with wave, vapor-phase, and IR reflow soldering processes

RoHs INFORMATION

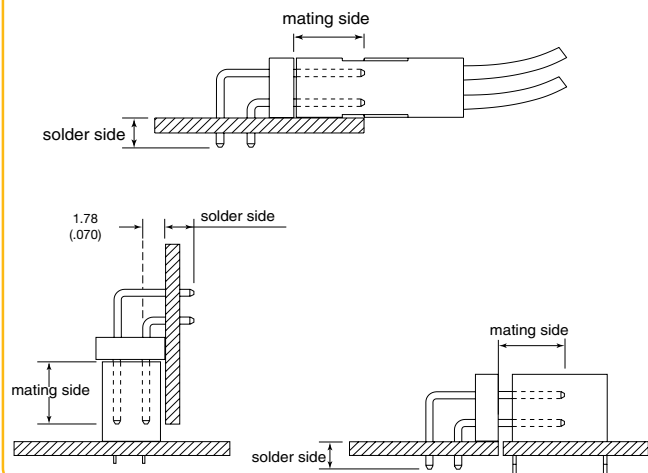
- This product is RoHs compatible according to the European Union Directive 2002/95/IEC



MATING DATA

■ Dubox™ Crimp-to-wire contacts	30
■ Dubox™ Crimp-to-wire housings	32
■ Dubox™ Vertical receptacles	20
■ Dubox™ Low profile vertical receptacles	22, 24
■ Dubox™ Horizontal receptacles	26
■ Quickie™ IDC receptacles	46
■ PV™ Crimp-to-Wire Contacts	36
■ PV™ Crimp-to-Wire Housings	38

TYPICAL APPLICATIONS



BergStik® Unshrouded Header, Right Angle, Standard Sizes

PART NUMBERS



1 = 0.76 μm (30 μm) gold / gxt
2 = 0.38 μm (15 μm) gold / gxt
4 = tin

01 to 36 = Single row
02 to 72 = Double row

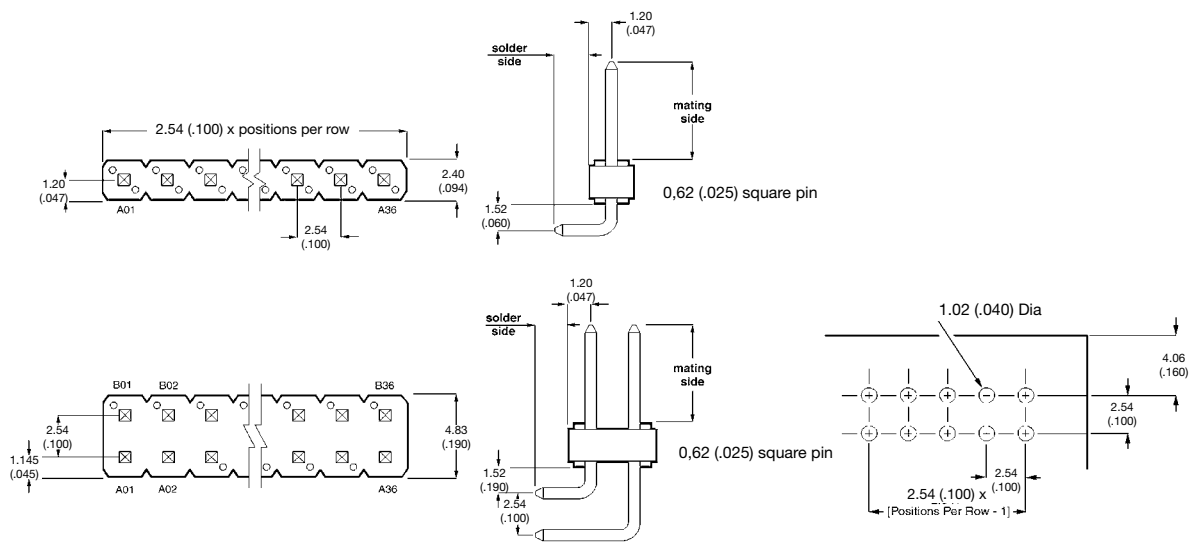
Single Row

Base PN	mating side		solder side	
	mm	(in.)	mm	(in.)
68015	5.84	0.230	2.41	0.095
68016	5.84	0.230	3.05	0.120

Double Row

Base PN	mating side		solder side	
	mm	(in.)	mm	(in.)
68020	5.84	0.230	2.41	0.095
68021	5.84	0.230	3.05	0.120

PRODUCT



Recommended PCB layouts

Dimension : mm (inch)

FEATURES

- Wide variety of stack heights in 0.5 mm increments
- High temperature plastic
- Selective plating

TECHNICAL DATA

PHYSICAL

- Housing: High temperature, black thermoplastic
- Flammability rating: UL 94 V-0
- Pin: Phosphor-bronze
- Plating: Gold/GXT or tin over 1.27 μm (50 μin) nickel



ELECTRICAL PERFORMANCE

- Current rating: 3 A continuous
- Insulation resistance: 5000 M Ω min.
- Dielectric withstanding voltage: 1500 V

MECHANICAL PERFORMANCE

- Pin retention to housing: 9 N min.

OPERATING TEMPERATURE RANGE

- 65°C to +125°C

PACKAGING

- Bags

REFERENCE INFORMATION

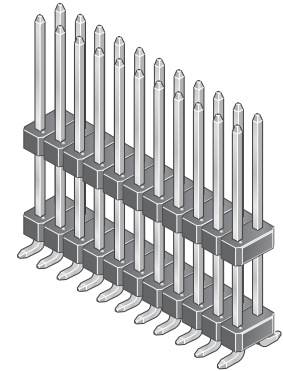
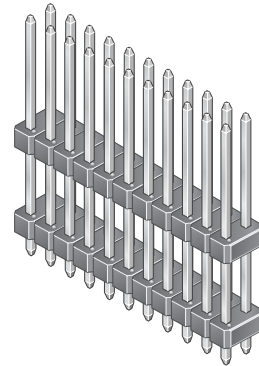
- File no. E66906
- File no. LR46923
- Product drawing: By 5-digit base part number
- Product specification: BUS-12-114

PROCESSING INFORMATION

- Compatible with wave, vapor-phase, and IR reflow soldering processes

RoHs INFORMATION

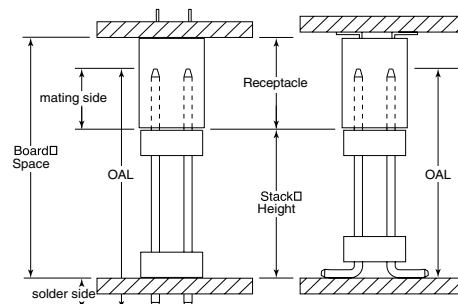
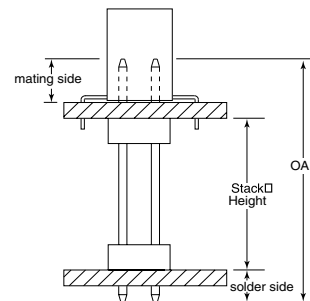
- This product is RoHs compatible according to the European Union Directive 2002/95/IEC



MATING DATA

- Dubox™ Vertical receptacles 20
- Dubox™ Low profile vertical receptacles 22, 24

TYPICAL APPLICATIONS



BergStik® Unshrouded Header, Stacking

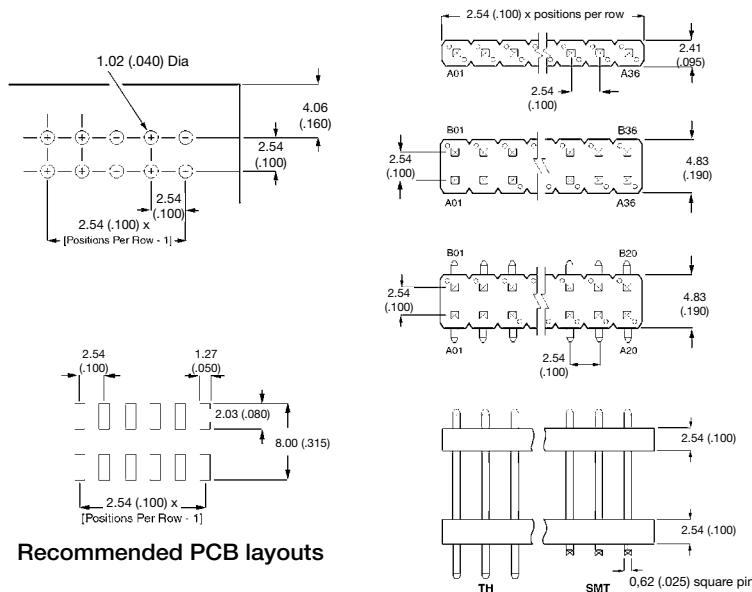
PART NUMBERS

Compile your own part number using custom dimensions (Please allow for initial setup on our system)

5	4	Lead	Solder Side Option	Row Option	Plating	Pin Style	Total Positions	Stack Height	LF
	1 = Through Hole (TMT) 2 = Surface Mount (SMT)	1 = 2.41 mm 2 = 3.05 mm 4 = SMT (double row only)		1 = Single Row (TMT only) 2 = Double Row		02 to 36 single row (TMT) 04 to 72 double row (TMT) 04 to 50 double row (SMT)			
								XX.XX = mm Specify mm i.e. 08.50 = 8.50 mm in 0.50 mm increments TMT = 08.00 min. - 25.00 max. SMT = 09.50 min. - 26.00 max.	

Pin Styl	Overall length (TMT)	Overall length (SMT)
01	12.20 (.480)	10.42 (.410)
02	13.50 (.531)	11.72 (.461)
03	15.90 (.626)	14.12 (.556)
04	16.76 (.660)	14.98 (.590)
05	17.65 (.695)	15.87 (.525)
06	18.91 (.744)	17.13 (.674)
07	20.96 (.825)	19.18 (.755)
08	23.50 (.925)	21.72 (.855)
09	26.04 (1.025)	24.26 (.955)
10	28.58 (1.125)	26.80 (1.055)
11	31.12 (1.225)	29.34 (1.155)
12	33.66 (1.325)	31.88 (1.255)

PRODUCT



The board spacing

is the stack height of this header, plus the height of the receptacle (see application drawings on opposite page)

FEATURES

- Dual-beam contacts for added reliability
- Slotted cutout in low profile housing simplifies electrical testing
- Side-by-side and end-to-end stackable

TECHNICAL DATA

PHYSICAL

- Housing: thermoplastic
69145 color black
68786 and 63429 color white
- Flammability rating: UL 94 V-0
- Contact: Phosphor-bronze
- Plating: Gold/GXT or tin over 1.27 μm (50 μm) nickel



low profile only

ELECTRICAL PERFORMANCE

- Current rating: 2.5 A max. per contact
 - Insulation resistance: 50,000 $\text{M}\Omega$ min.
 - Contact resistance: 15 $\text{M}\Omega$ max. initial, 20 $\text{M}\Omega$ max. after environmental tests
- Dielectric withstanding voltage: 800 V

MECHANICAL PERFORMANCE

- Mating cycles (durability): 50-Gold, 25-Tin.
- Insertion force: 450 gf max. per gold contact
500 gf max. per tin-lead contact
- Withdrawal force: 30 gf min. per gold contact
30 gf min. per tin-lead contact.

OPERATING TEMPERATURE RANGE

- -65°C to +125°C

PACKAGING

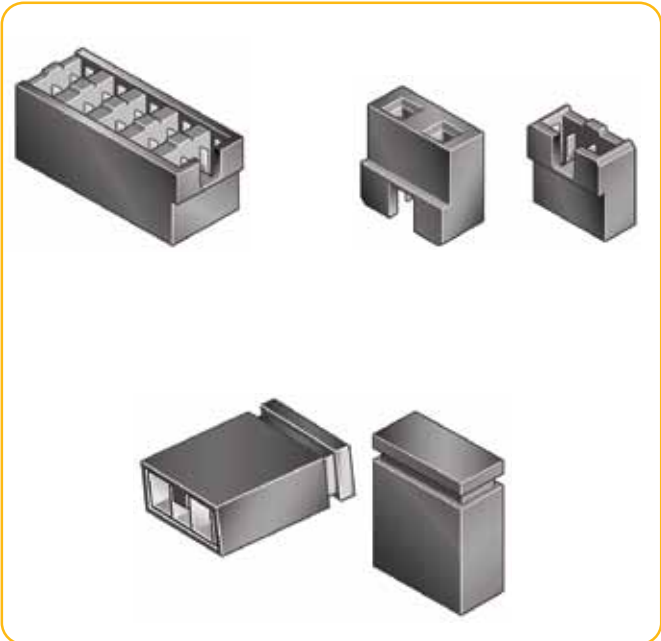
- Plastic bags

REFERENCE INFORMATION

- File no. E66906
- File no. LR46923
- Product drawing: By 5-digit base part number
- Product specification: BUS-12-071-gold
BUS-12-070-tin

RoHS INFORMATION

- This product is RoHS compatible according to the European Union Directive 2002/95/IEC



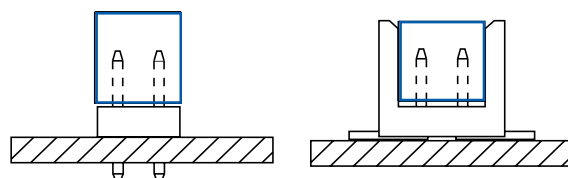
MATING DATA

- Continuous unshrouded headers 12
- Unshrouded vertical headers 8, 10
- Unshrouded right angle headers 14, 16

INSERTION DEPTH

- 4.85 mm (.191") min.
[provides 3.81 mm (.015") wipe] - Low profile

TYPICAL APPLICATIONS



SHUNTS

2.54 mm (.100")

PART NUMBERS

Low profile



2 = 0.76 μm (30μ") gold/ext
3 = tin

Standard



2 = 0.76 μm (30μ") gold/GXT
3 = tin

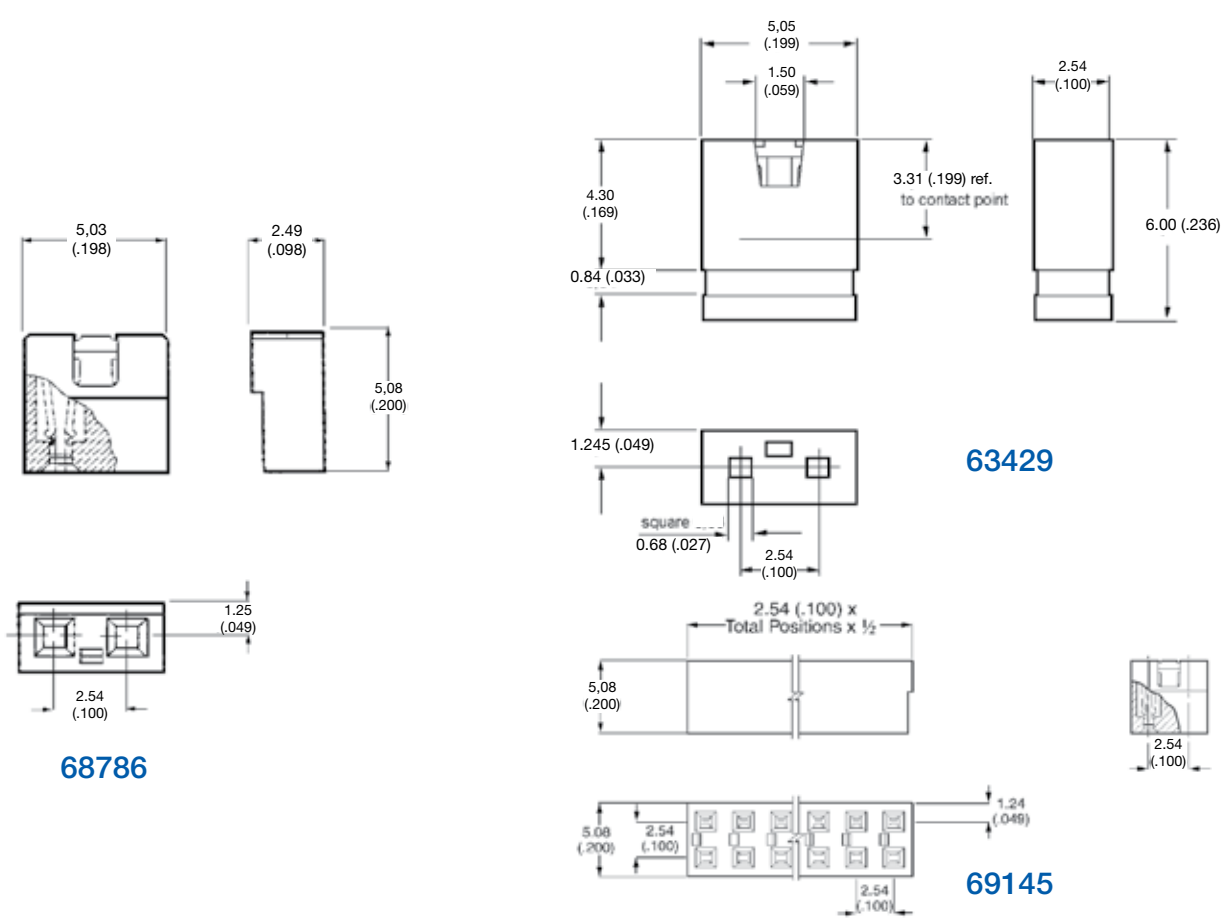
Multi-position



2 = 0.76 μm (30μ") gold / ext | 4 to 20 positions
3 = tin



PRODUCT



Dimension : mm (inch)

FEATURES

- The Dubox™ contact has a pre-stressed, dual beam design to enable low insertion force
- 4-wall contact design for signal protection

TECHNICAL DATA

PHYSICAL

- Housing: Glass filled thermoplastic polyester, blue
- Flammability rating: UL 94 V-0
- Contact: Phosphor-bronze
- Plating: Gold/GXT or tin in accordance with IEC 603-81

ELECTRICAL PERFORMANCE

- Current rating: 3 A dc max. per individual contact
2 A dc max. per contact for fully energized connector
- Insulation resistance: $1 \times 10^5 \text{ M}\Omega$ min.
- Contact resistance: 15 $\text{M}\Omega$ max. initial,
20 $\text{M}\Omega$ max. after environmental tests
- Dielectric withstanding voltage: 1000 V rms

MECHANICAL PERFORMANCE

- Mating cycles (durability): 200
- Insertion force per gold contact: 1.50 N (150 gf) max.
- Withdrawal force per gold contact: 0.30 N (30 gf) min.

OPERATING TEMPERATURE RANGE

- -65°C to +125°C



PACKAGING

- Plastic boxes or tubes

PROCESSING INFORMATION

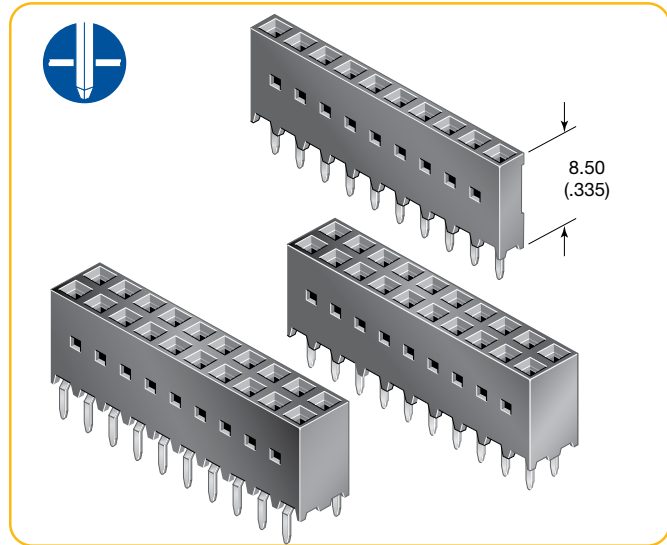
- Compatible with wave soldering processes

REFERENCE INFORMATION

-  File no. E66906
-  File no. LR46923
- Product drawing: By 5-digit base part number
- Product specification: HE 13/14 and IEC 603-8

RoHs INFORMATION

- This product is RoHs compatible according to the European Union Directive 2002/95/IEC



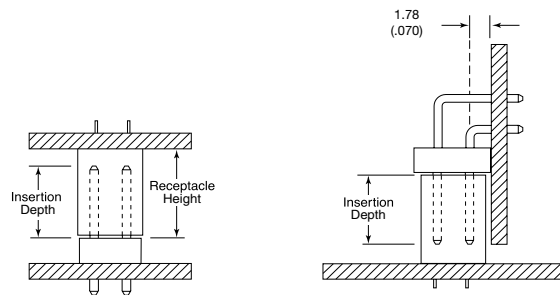
MATING DATA

- BergStik® Unshrouded vertical headers 8, 10
- BergStik® Unshrouded right angle headers 14
- BergStik® Unshrouded stacking headers 16
- BergStik® continuous Unshrouded headers 12

INSERTION DEPTH

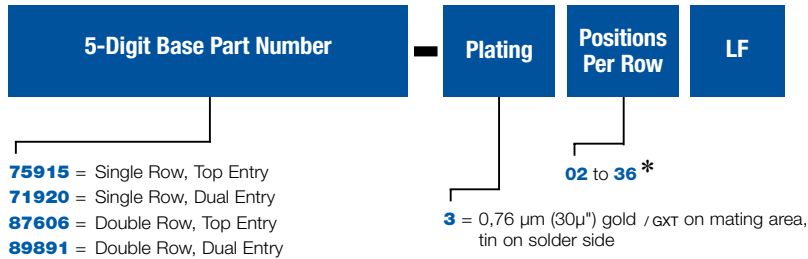
- Top Entry: 3.6 mm min. to 6.81 mm max.
[provides .381 mm wipe]
- Bottom Entry: 7 mm min.
[provides .381 mm wipe] plus board thickness

TYPICAL APPLICATIONS



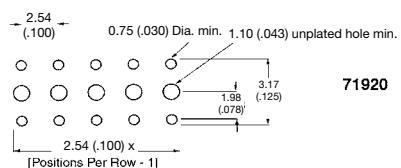
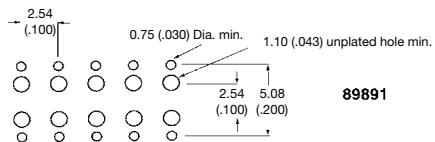
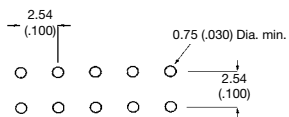
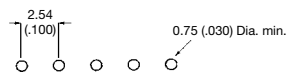
Dubox™ Vertical Receptacles

PART NUMBERS

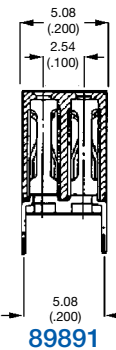
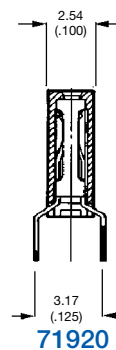
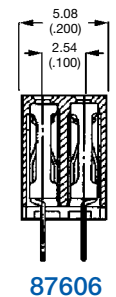
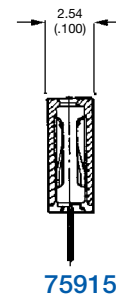
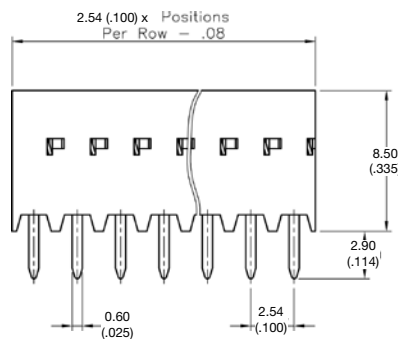


*Other sizes available on request

PRODUCT



Recommended PCB layouts



Dimension : mm (inch)

FEATURES

- The Dubox™ contact has a pre-stressed, dual beam design to enable low insertion force
- 4-wall contact design for signal protection

TECHNICAL DATA

PHYSICAL

- Housing: Glass filled thermoplastic polyester, blue
- Flammability rating: UL 94 V-0
- Contact: Phosphor-bronze
- Plating: Gold/GXT or tin over 1.27 μm (50 μ") nickel

ELECTRICAL PERFORMANCE

- Current rating: 3 A dc max. per individual contact
2 A dc max. per contact for fully energized connector
- Insulation resistance: 1x 10⁵ MΩ min.
- Contact resistance: 15 MΩ max. initial,
20 MΩ max. after environmental tests
- Dielectric withstanding voltage: 1000 V rms

MECHANICAL PERFORMANCE

- Mating cycles (durability): 200
- Insertion force per gold contact: 1.50 N (150 gf) max.
- Withdrawal force per gold contact: 0.30 N (30 gf) min.

OPERATING TEMPERATURE RANGE

- -65°C to +125°C



PACKAGING

- Plastic boxes or tubes

PROCESSING INFORMATION

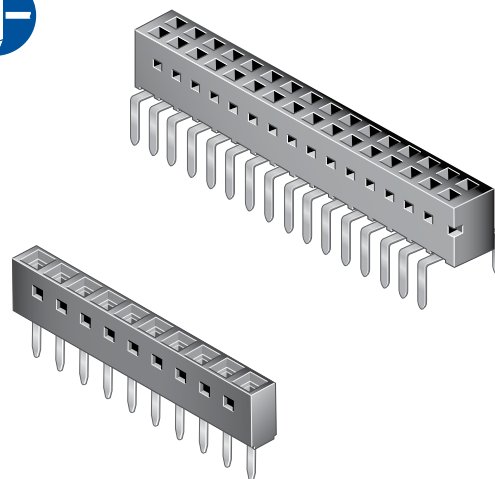
- Compatible with wave soldering processes

REFERENCE INFORMATION

-  File no. E66906
-  File no. LR46923
- Product drawing: By 5-digit base part number
- Product specification: BUS-12-055

RoHs INFORMATION

- This product is RoHs compatible according to the European Union Directive 2002/95/IEC



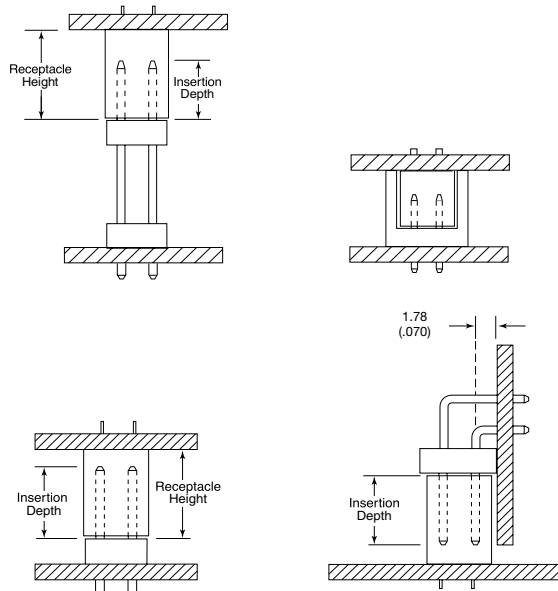
MATING DATA

- BergStik® Unshrouded vertical headers 8, 10
- BergStik® Unshrouded right angle headers 14,
- BergStik® Unshrouded stacking headers 16
- BergStik® continuous Unshrouded headers 12

INSERTION DEPTH

- Top Entry: 3.6 mm min. to 6.7 mm max.
[provides .381 mm wipe]
- Bottom Entry: 6 mm min.
[provides .381 mm wipe] plus board thickness

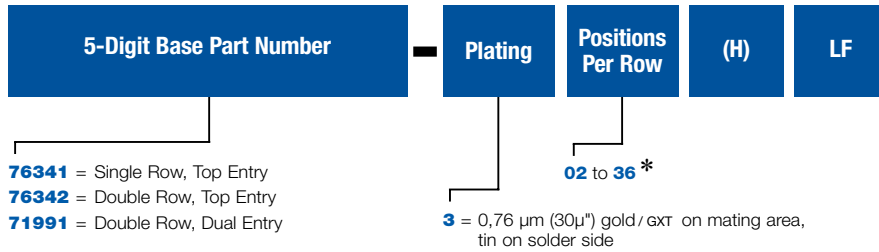
TYPICAL APPLICATIONS



Dubox™ Vertical Receptacles, Low Profile

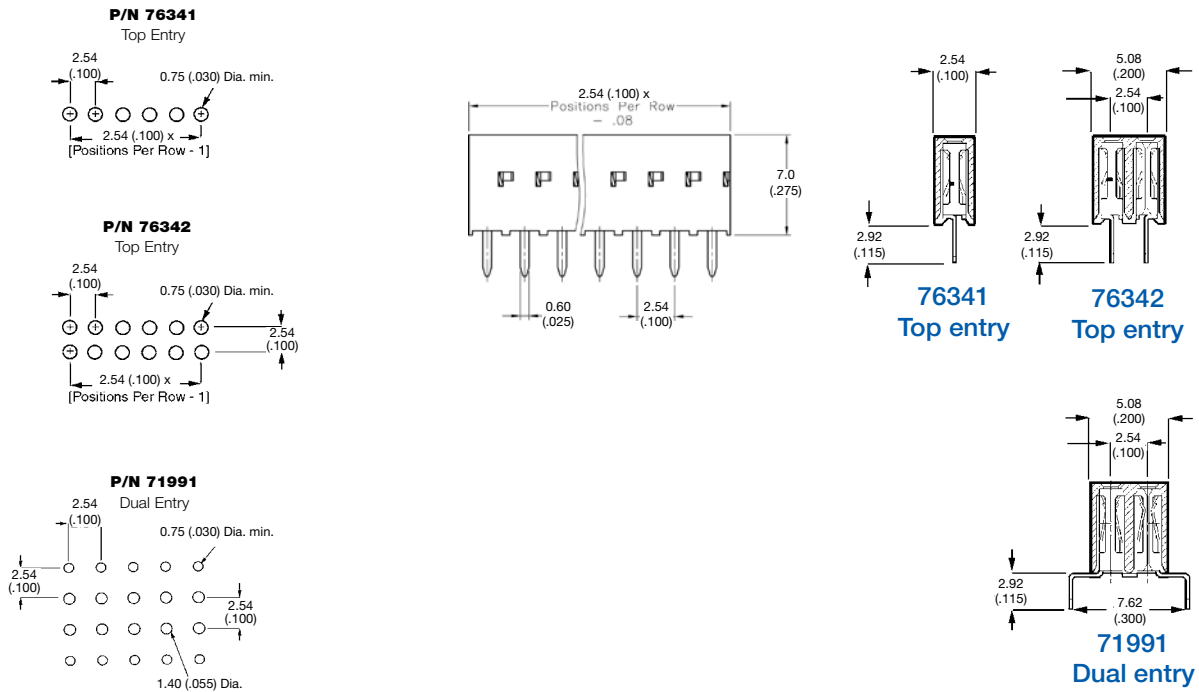
2.54 mm (.100")

PART NUMBERS



*Other sizes available on request

PRODUCT



Recommended PCB layouts

Dimension : mm (inch)

FEATURES

- The Dubox™ contact has a pre-stressed, dual beam design to enable low insertion force
- 4-wall contact design for signal protection

TECHNICAL DATA

PHYSICAL

- Housing: High temperature body, grey
- Flammability rating: UL 94 V-0
- Contact: Phosphor-bronze
- Plating: Gold/GXT or tin over 1.27 µm (50 µ") nickel



ELECTRICAL PERFORMANCE

- Current rating: 3 A dc max. per individual contact
2 A dc max. per contact for fully energized connector
- Insulation resistance: 1x 10⁵ MΩ min.
- Contact resistance: 15 MΩ max. initial,
20 MΩ max. after environmental tests
- Dielectric withstanding voltage: 1000 V rms

MECHANICAL PERFORMANCE

- Mating cycles (durability): 200
- Insertion force per gold contact: 1.50 N (150 gf) max.
- Withdrawal force per gold contact: 0.30 N (30 gf) min.

OPERATING TEMPERATURE RANGE

- -65°C to +125°C

PACKAGING

- Plastic boxes or tubes
- Tape and reel as available

PROCESSING INFORMATION

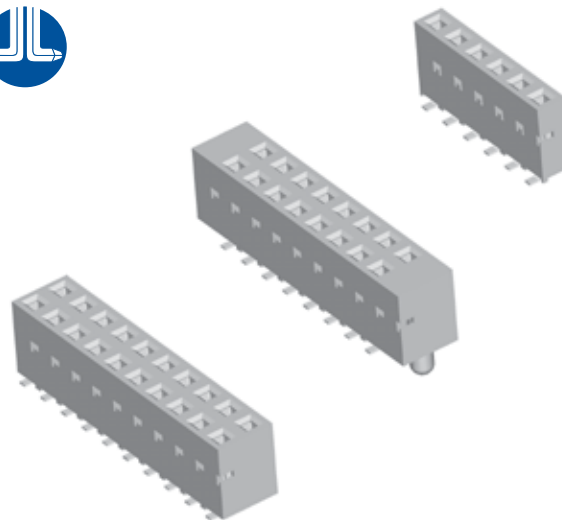
- Compatible with vapor-phase, and IR reflow soldering processes

REFERENCE INFORMATION

- File no. E66906
- File no. LR46923
- Product drawing: By 5-digit base part number
- Product specification: BUS-12-055

RoHs INFORMATION

- This product is RoHs compatible according to the European Union Directive 2002/95/IEC



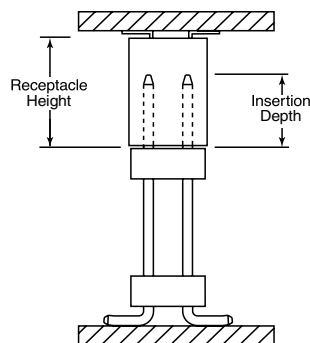
MATING DATA

- BergStik® Unshrouded vertical headers 8, 10
- BergStik® Unshrouded right angle headers 14
- BergStik® Unshrouded stacking headers 16
- BergStik® continuous Unshrouded headers 12

INSERTION DEPTH

- Top Entry: 3.6 mm min. to 6.7 mm max.
[provides .381 mm wipe]
- Bottom Entry: 6 mm min.
[provides .381 mm wipe] plus board thickness

TYPICAL APPLICATIONS



Dubox™ Vertical Receptacles, Low Profile

PART NUMBERS

5-Digit Base Part Number	Plating	Positions Per Row	Option	LF
<p>91601 = Single Row, Dual Entry</p> <p>91614 = Single Row with external Locating Pegs, Dual Entry</p> <p>89898 = Double Row, Dual Entry</p> <p>91615 = Double Row with External Locating Pegs, Dual Entry</p> <p>91618 = Double Row with Internal Locating Pegs, Dual Entry</p>			<p>- = standard-tubes</p> <p>A = Tape-and-Reel packaging with pick-up cap *</p> <p>02 to 25 Single Row</p> <p>02 to 25 Double Row</p> <p>3 = 0,76 µm (30µ") gold/GXT on mating area, tin on solder side</p>	

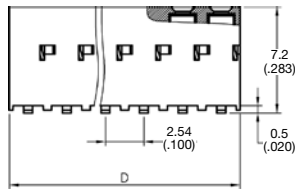
89898 - 3XXALF **CORE RANGE**

XX = 02, 03, 04, 05, 06, 08, 10

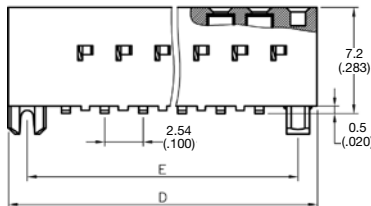
* as available

PRODUCT

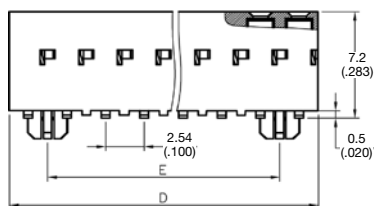
Standard



External Locating Pegs

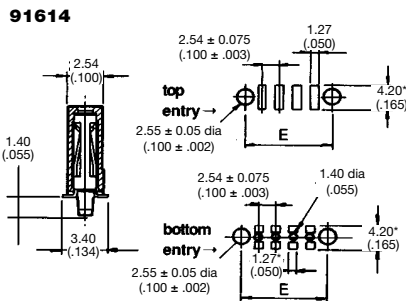
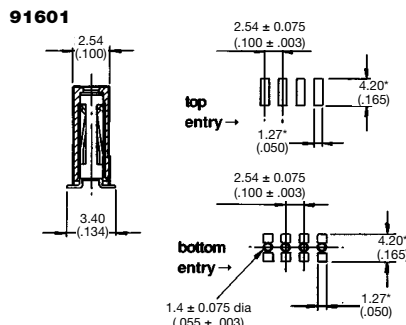


Internal Locating Pegs



Dimension : mm (inch)

Single Row + Pad lay-outs

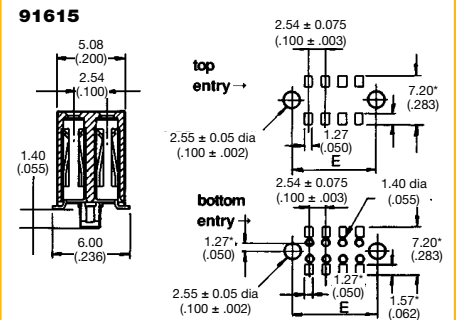
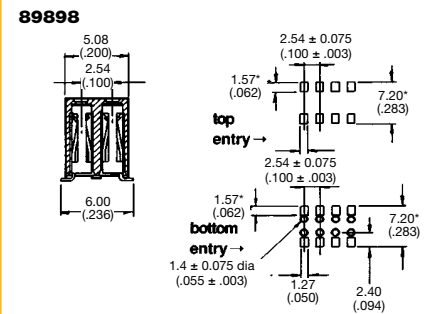


*Note: available as of 3 position versions

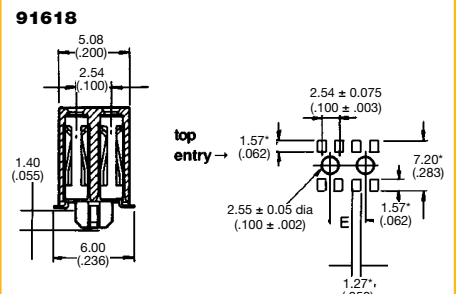
not available in single row

Note:
All dimensions marked with *
are minimum dimensions

Double Row + Pad lay-outs



*Note: available as of 3 position versions



*Note: available as of 6 number of positions

FEATURES

- The Dubox™ contact has a pre-stressed, dual beam design to enable low insertion force
- Floating solder tails self-center on circuit pads and assure coplanarity
- 4-wall contact design for signal protection

TECHNICAL DATA

PHYSICAL

- Housing: Blue thermoplastic - Through hole
High temp. grey thermoplastic - Surface mount
- Flammability rating: UL 94 V-0
- Contact: Phosphor-bronze
- Plating: Gold/GXT or tin over 1.27 µm (50 µ") nickel



ELECTRICAL PERFORMANCE

- Current rating: 3 A dc max. per individual contact
2 A dc max. per contact for fully energized connector
- Insulation resistance: 1×10^5 MΩ min.
- Contact resistance: 15 MΩ max. initial,
20 MΩ max. after environmental tests
- Dielectric withstanding voltage: 1000 V rms

MECHANICAL PERFORMANCE

- Mating cycles (durability): 200
- Insertion force per gold contact: 1.50 N (150 gf) max.
- Withdrawal force per gold contact: 0.30 N (30 gf) min.

OPERATING TEMPERATURE RANGE

- -65°C to +125°C

PACKAGING

- Standard: Tubes
- Optional: Tape-and-reel

PROCESSING INFORMATION

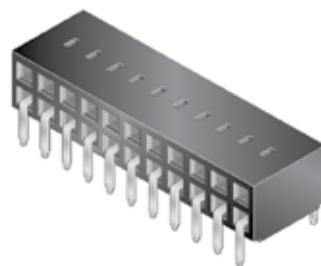
- Series 89882, 89883: compatible with wave soldering processes
- Series 71607, 71609: compatible with vapor-phase and IR reflow soldering processes

REFERENCE INFORMATION

- File no. E66906
- File no. LR46923
- Product drawing: 71607, 71609, 89882, 89883
- Product specification: HE 13/14 and IEC 603-8
- Application specification: TA-842 for SMT
- Tape and Reel packaging data : TA-856

RoHs INFORMATION

- This product is RoHs compatible according to the European Union Directive 2002/95/IEC



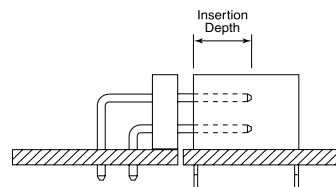
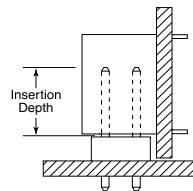
MATING DATA

- BergStik® Unshrouded vertical headers 8, 10
- BergStik® Unshrouded right angle headers 14
- BergStik® continuous Unshrouded headers 12

INSERTION DEPTH

- 3.6 mm min. to 7.50 mm max.
[provides .381 mm wipe]

TYPICAL APPLICATIONS



Dubox™ Horizontal Receptacles

PART NUMBERS

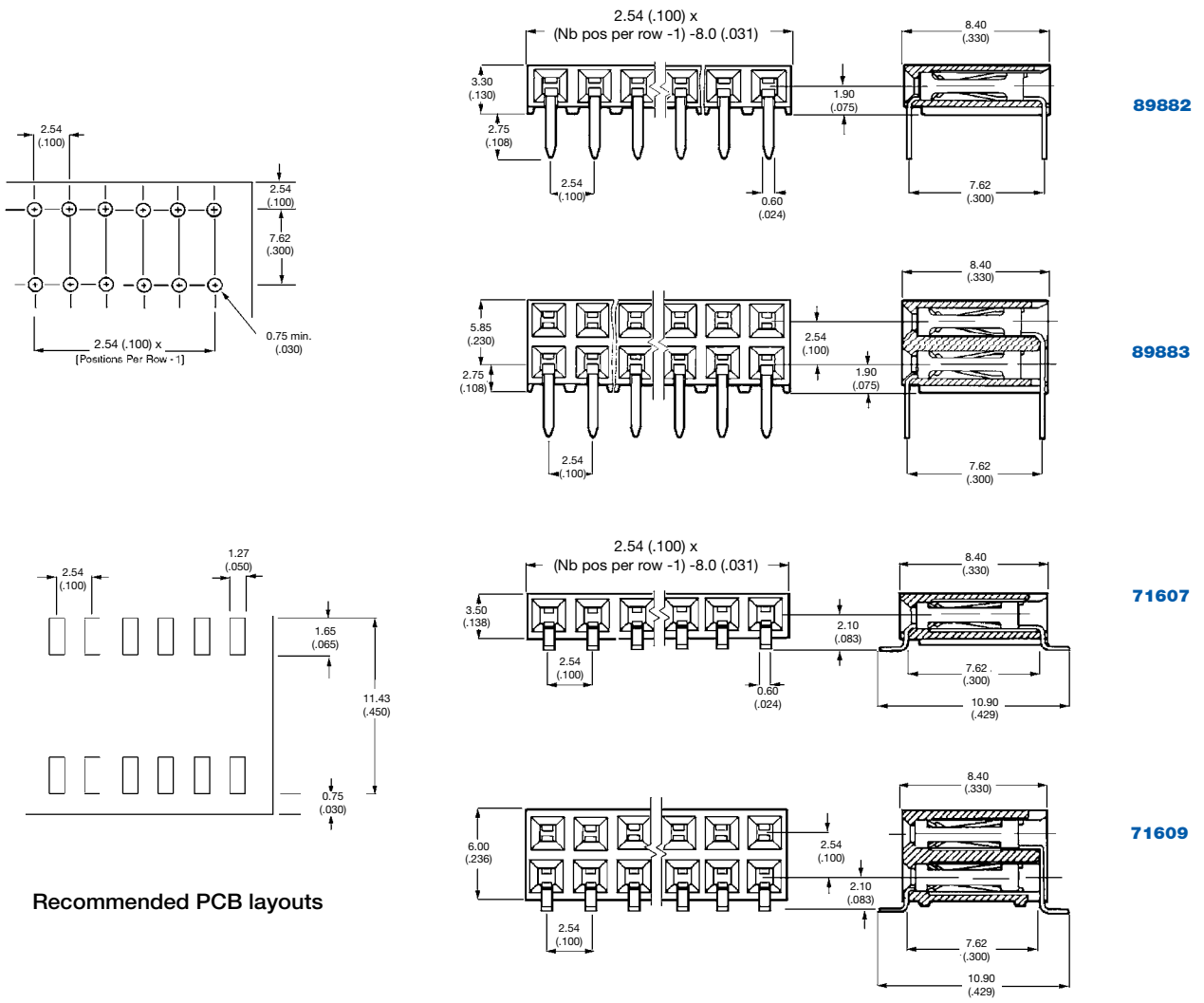


- 89882** = Through Hole (TMT), Single Row
- 89883** = Through Hole (TMT), Double Row
- 71607** = Surface Mount (SMT), Single Row
- 71609** = Surface Mount (SMT), Double Row

- 02 to 36** (TMT)
- 02 to 25** (SMT)

3 = 0,76 µm (30µ") gold/GXT on mating area, tin on solder side

PRODUCT



Recommended PCB layouts

Dimension : mm (inch)

FEATURES

- For use with Dubox™ crimp-to-wire housings
- Stackable end-to-end
- Passive latching, anti-reverse and anti-miss-match when used with Dubox™ crimp-to-wire housings
- Selective plating

TECHNICAL DATA

PHYSICAL

- Housing: Glass filled thermoplastic polyester
- Housing color for series 76382, 76383: blue
- Housing color for series 76384, 76385: black
- Flammability rating: UL 94 V-0
- Contact: copper Alloy
- Plating: Gold/GXT or tin over 1.27 μm (50μ") nickel

ELECTRICAL PERFORMANCE

- Current rating: 3 A continuous
- Insulation resistance: 1 x 10⁵ MΩ min.
- Dielectric withstanding voltage: 1000 V rms

MECHANICAL PERFORMANCE

- Contact retention to housing: 20 N min.

OPERATING TEMPERATURE RANGE

- -40°C to +125°C



PACKAGING

- 1x2 to 1x6 and 2x2 to 2x6: plastic bags
- Other in tube

PROCESSING INFORMATION

- Compatible with wave soldering processes

REFERENCE INFORMATION

-  File no. E66906
-  File no. LR46923
- Product drawing: By 5-digit base part number
- Application specification: TA-531

RoHs INFORMATION

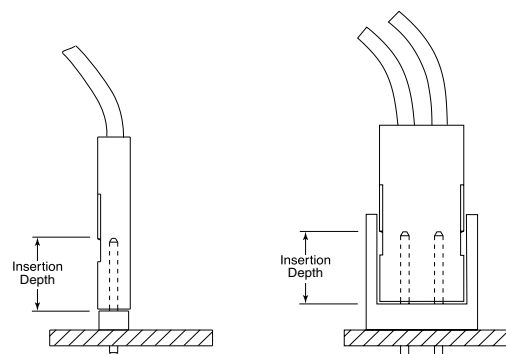
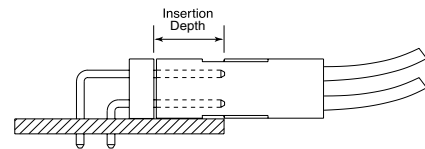
- This product is RoHs compatible according to the European Union Directive 2002/95/IEC



MATING DATA

- Dubox™ Crimp-to-wire contacts 30
- Dubox™ Crimp-to-wire housings 32

TYPICAL APPLICATIONS



Dubox™ Shrouded Headers

PART NUMBERS



- 76384** = Single row, straight
- 76382** = Single row, right angle
- 76385** = Double row, straight
- 76383** = Double row, right angle

02 up to 18

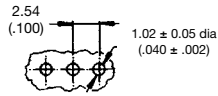
3 = 0.76 μm (30μ") gold/GXT on mating area, tin on solder side
4 = tin

76384 - **3XXLF** **CORE RANGE**
76385 - **3XXLF**

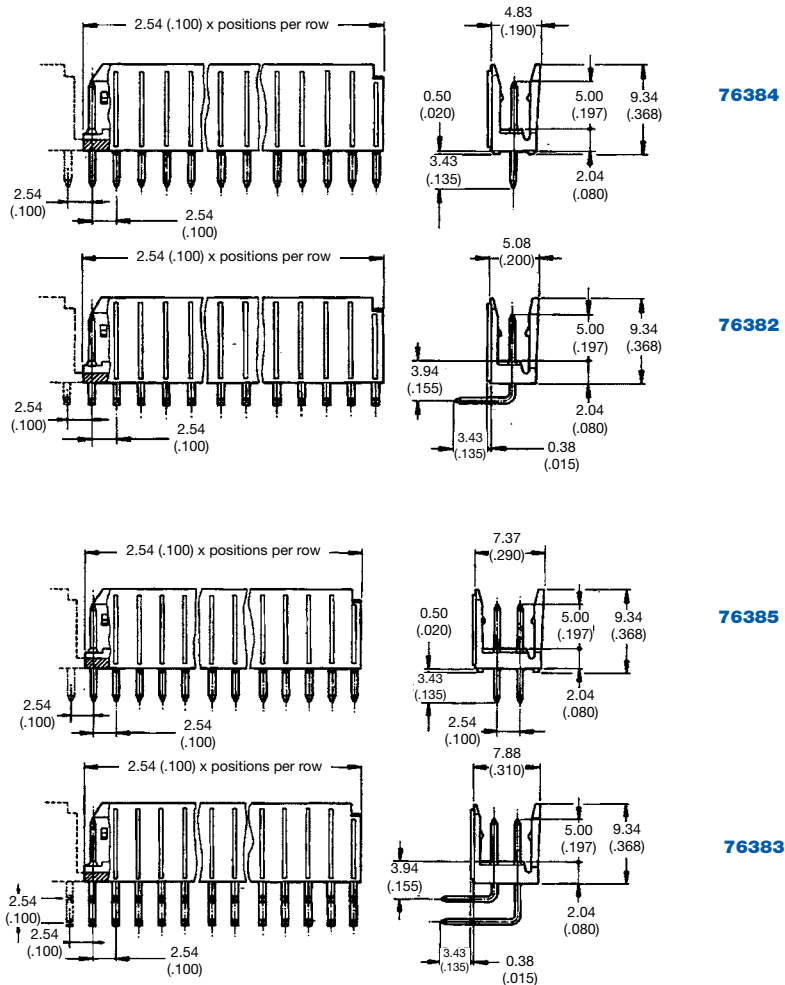
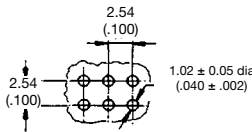
XX = 02, 03, 04, 05, 06, 08, 10

PRODUCT

Recommended PCB layouts



Recommended PCB layouts



Dimension : mm (inch)

FEATURES

- The Dubox™ contact has a pre-stressed, dual beam design to enable low insertion force.
- Mates with very short pins (5 mm)
- Universal crimp barrel accomodates wires from AWG 22-30
- Selective plating

TECHNICAL DATA

PHYSICAL

- Contact: phosphor bronze
- Plating: 0.76 µm (30µ") Gold/GXT over 1.27 µm (50 µ") nickel

ELECTRICAL PERFORMANCE

- Current rating: 3 A continuous
- Contact resistance after environmental test: 15Ω m max. – Contact
- Dielectric withstanding voltage: 1000 V rms

MECHANICAL PERFORMANCE

- Mating cycles (durability): 200 – Gold
- Insertion force gold finish contact: 1.3 N
- Withdrawal force (min) gold finish contact: 0.3 N.
- contact retention force to housing: 15 N per contact.



OPERATING TEMPERATURE RANGE

- -65°C to +125°C

PACKAGING

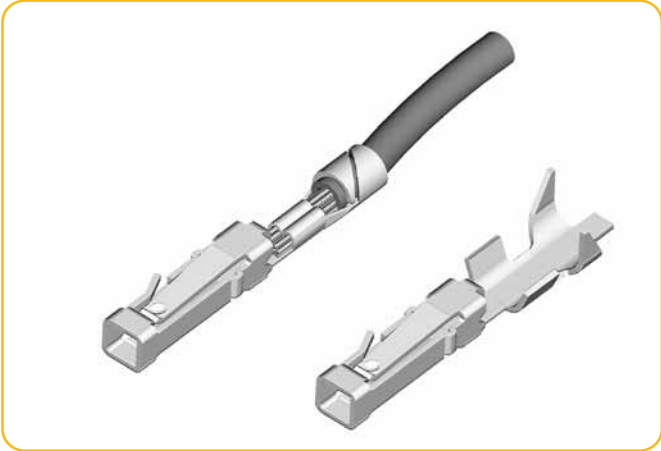
- 1 Reels
- Boxes - Loose piece

REFERENCE INFORMATION

-  File no. E66906
-  File no. LR46923
- Product drawing: By 5-digit base part number
- Product specification: BUS-12-055
- Application specification: TA-317, TA-340

RoHS INFORMATION

- This product is RoHs compatible according to the European Union Directive 2002/95/IEC



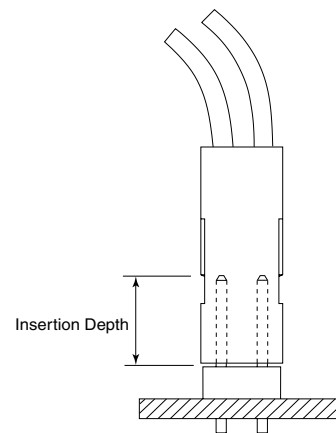
MATING DATA

- BergStik® unshrouded straight headers 8, 10
- BergStik® unshrouded right angle headers 14
- Dubox™ shrouded vert./ra. headers 28
- BergStik® continuous unshrouded headers 12

INSERTION DEPTH

- Discrete Wire: 3.6 mm min. to 5.6 mm max. [provides .381 mm wipe]
- Crimp-to-Wire Housing: 5.1 mm min. to 6.2 mm max. [provides .381 mm wipe in housing]

TYPICAL APPLICATIONS



Dubox™ Crimp-to-Wire Contacts

PART NUMBERS

Part numbers / Contacts on Reel

Wire size	insulation O.D.	Selective Gold Plated	Tin plated	Packaging
22-30	0.90 - 1.50 (.035 - .059)	76347-301LF	76347-401LF	15.000/reel
22-30	0.90 - 1.50 (.035 - .059)	76347-302 LF•	76347-402LF•	15.000/reel
22-30	0.90 - 1.50 (.035 - .059)	76347-303 LF	76347-403LF	500/reel
20-22	1.10 - 1.60 (.043 - .062)	76347-311LF	76347-411LF	15.000/reel
20-22	1.10 - 1.60 (.043 - .062)	76347-312 LF•	76347-412LF•	15.000/reel

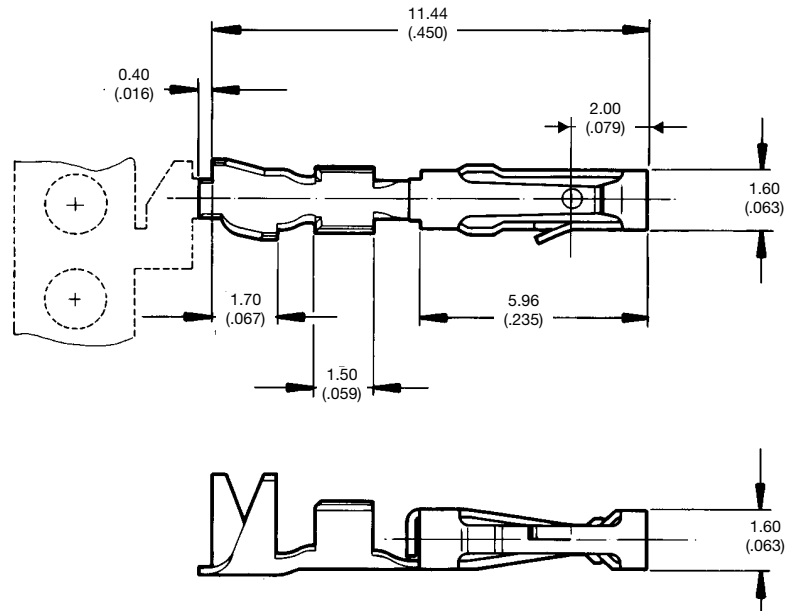
Part numbers / Contacts loose Piece

Wire size	insulation O.D.	Selective Gold Plated	Tin plated	Packaging
22-30	0.90 - 1.50 (.035 - .059)	76357-301LF	76357-401LF	1000/box

Notes: • = reeled for application machine with left-to-right feeding



PRODUCT



Contacts to be used with housing = 65239-xxx / 65240-xxx

Wire strip length = 3.00 ± 0.25 (.118 ± .010)

Mating pin size = 0.62 (.024) square

Mating pin recommended length = 5.00 (.197) min.

Dimension : mm (inch)

FEATURES

- For use with Dubox™ crimp-to-wire contacts
- Stackable end-to-end
- Passive latching, anti-reverse and anti-miss-match when used with Dubox™ shrouded headers
- Contacts removable for easy repairability

TECHNICAL DATA

PHYSICAL

- Housing: Glass filled thermoplastic polyester
- Housing color blue
- Flammability rating: UL 94 V-0

ELECTRICAL PERFORMANCE

- Insulation resistance: $1 \times 10^5 \text{ M}\Omega$ min.
- Dielectric withstanding voltage: 1000 V rms

OPERATING TEMPERATURE RANGE

- -65°C to +125°C



PACKAGING

- Bulk

PROCESSING INFORMATION

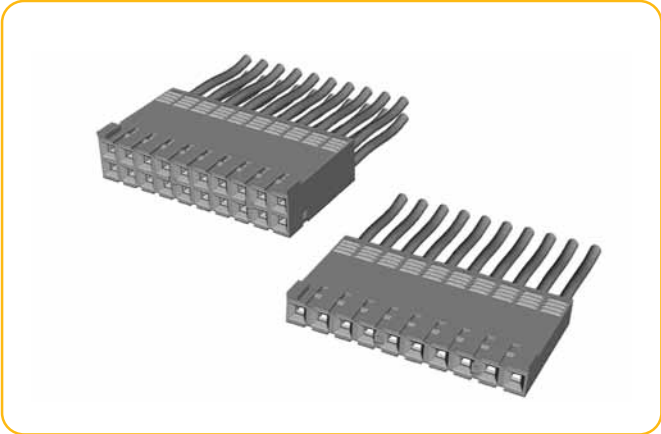
- Compatible with wave soldering processes

REFERENCE INFORMATION

-  File no. E66906
-  File no. LR46923
- Product drawing: By 5-digit base part number
- Application specification: TA-317, TA-340

RoHS INFORMATION

- This product is RoHS compatible according to the European Union Directive 2002/95/IEC



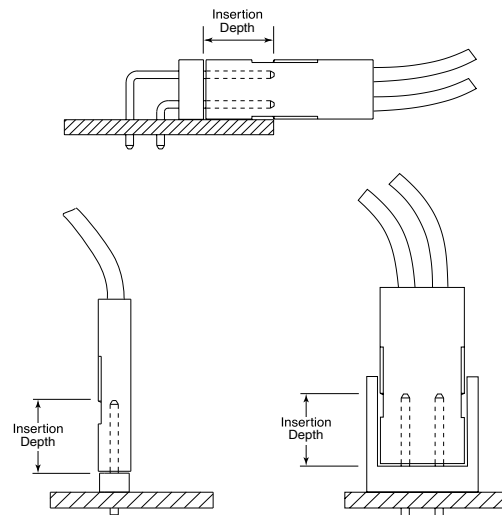
MATING DATA

- BergStik® unshrouded straight headers 8, 10
- BergStik® unshrouded right angle headers 14
- Dubox™ shrouded vert./ra. headers 28

INSERTION DEPTH

- 3.6 mm min. to 6.0 mm max.

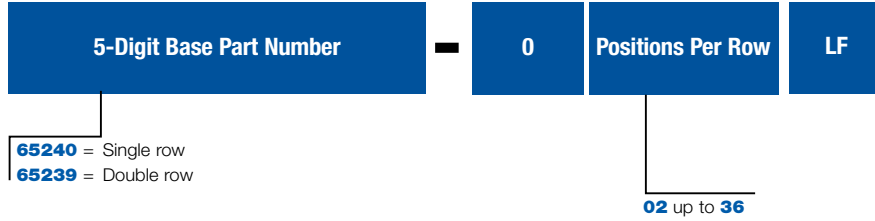
TYPICAL APPLICATIONS



Dubox™ Crimp-to-Wire Housings

2.54 mm (.100")

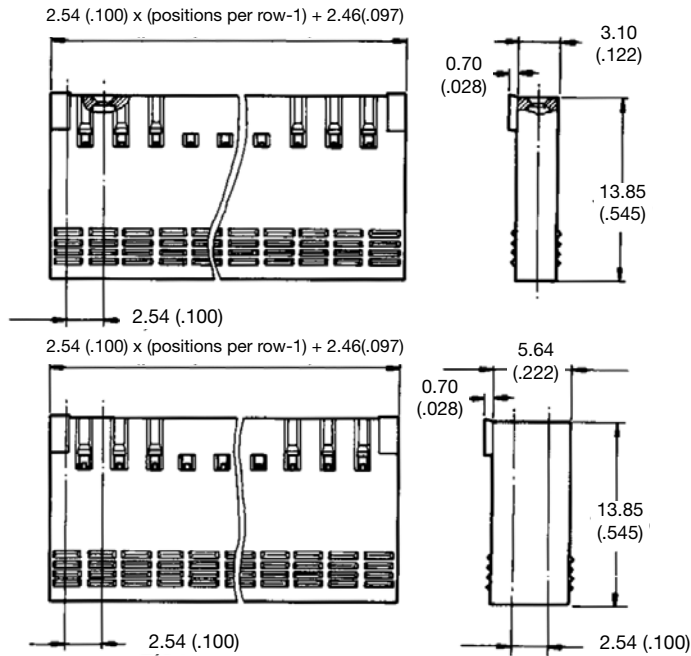
PART NUMBERS



65239 - 0XXLF **CORE RANGE**
 XX = 02, 03, 04, 05, 06, 08, 10

65240 - 0XXLF
 XX = 04, 06, 08, 10, 12, 16, 20

PRODUCT



- Pin size: 0.62 (.024) square
- Recommended pin length: 5.00 (.197) min.

Dimension : mm (inch)

FEATURES

- Housing uses our high reliability contact
- High temperature headers
- Passive latching system

TECHNICAL DATA

PHYSICAL

- Housing: Black thermoplastic
- Flammability rating: UL 94 V-0
- Contact: Phosphor-bronze
- Plating: Gold/GXT or tin-lead over 1.27 µm (50 µ") nickel

ELECTRICAL PERFORMANCE

- Current rating: 3 A continuous
- Insulation resistance: 1x 10⁵ MΩ min.
- Dielectric withstanding voltage: 1000 V rms

MECHANICAL PERFORMANCE

- Contact retention to housing: 17.76 N min.

OPERATING TEMPERATURE RANGE

- -40°C to +125°C



PACKAGING

- Bags

PROCESSING INFORMATION

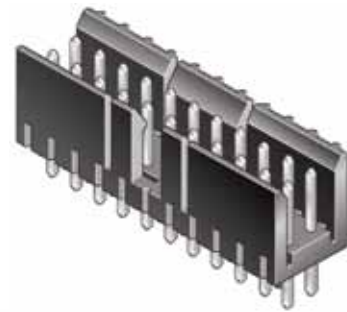
- Compatible with wave soldering processes

REFERENCE INFORMATION

-  File no. E66906
-  File no. LR46923
- Product drawing: By 5-digit base part number
- Product specification: BUS-12-067, BUS-12-075
- Application specification: TA-531

RoHs INFORMATION

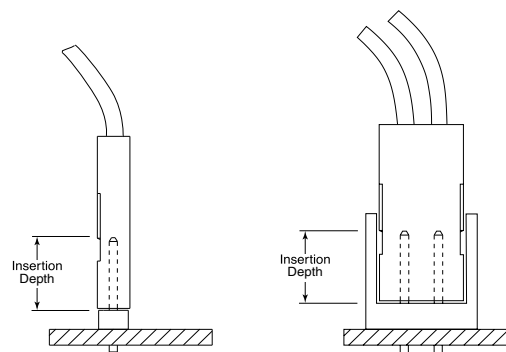
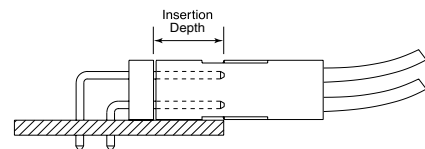
- This product is RoHs compatible according to the European Union Directive 2002/95/IEC



MATING DATA

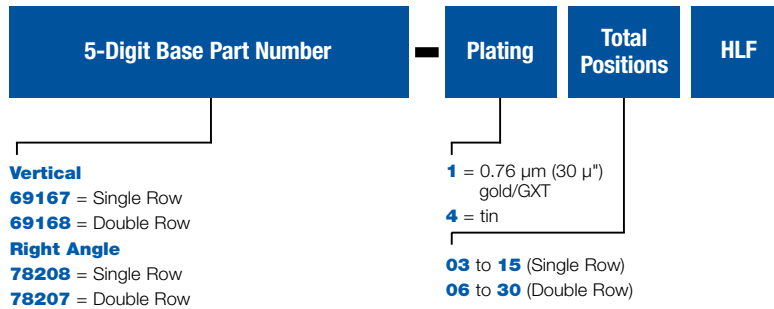
- PV™ Crimp-to-wire contacts 36
- PV™ Crimp-to-wire housings 38

TYPICAL APPLICATIONS

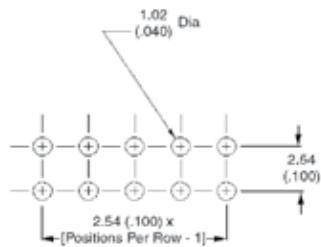


PV™ Shrouded Headers

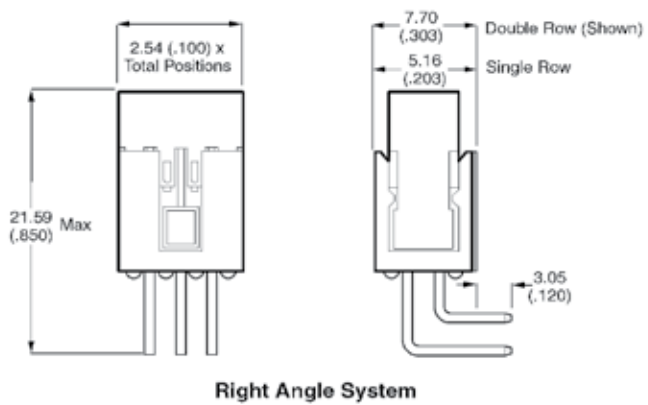
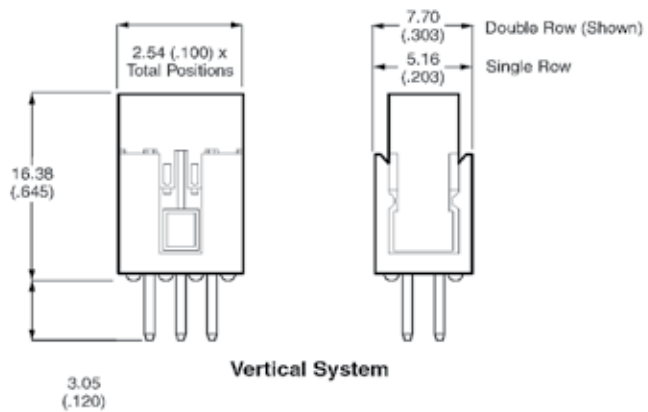
PART NUMBERS



PRODUCT



Recommended PCB layouts



Dimension : mm (inch)

FEATURES

- High reliability contacts for shock and vibration applications
- Three spring thickness options meet application specific insertion, withdrawal, and normal force requirements
- Leaf spring design provides constant retention force after repeated cycles

TECHNICAL DATA

PHYSICAL

- Contact: Brass body with beryllium-copper spring
- Pin: Brass
- Plating: Gold/GXT or tin over 1.27 μm (50 μ") nickel

ELECTRICAL PERFORMANCE

- Current rating: 3 A continuous depending on wire size
- Insulation resistance: 5000 mΩ min.
- Contact resistance after environmental test: 15Ω m max. – Contact
- Dielectric withstanding voltage: 1000 V rms

MECHANICAL PERFORMANCE

- Mating cycles (durability): 1000 - Gold
- Insertion force per gold contact:
 - 2.35 N (240 gf) - Standard spring
 - 4.41 N (450 gf) - High spring
 - 10.79 N (1100 gf) - Ultra high spring

OPERATING TEMPERATURE RANGE

- 65°C to +125°C

PACKAGING

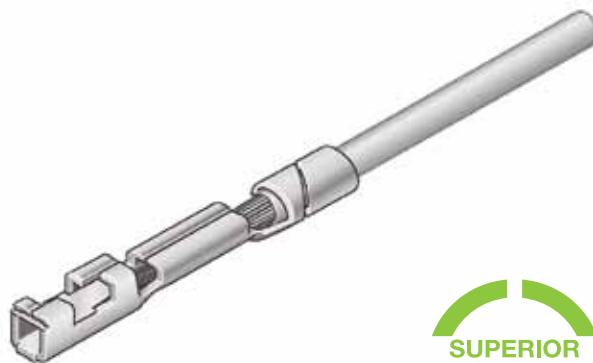
- 1 Reels
- Boxes - Loose piece

REFERENCE INFORMATION

- File no. E66906
- File no. LR46923
- Product drawing: By 5-digit base part number
- Product specification: BUS-12-067 Contact
- Application specification: TA-75, TA-146 - Contact, TA-295, TA-228 and TA-302

RoHs INFORMATION

- This product is RoHs compatible according to the European Union Directive 2002/95/IEC



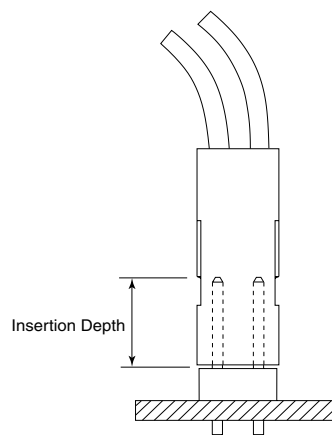
MATING DATA

- Continuous unshrouded headers 12
- Unshrouded vertical headers 8, 10
- Unshrouded right angle headers 14

INSERTION DEPTH

- Discrete Wire: 3.5 mm min. to 5.3 mm max. [provides .381 mm wipe]
- Crimp-to-Wire Housing: 4.2 mm min. to 5.3 mm max. [provides .381 mm (.015") wipe in housing]

TYPICAL APPLICATIONS



PV™ Crimp-to-Wire Contacts

PART NUMBERS



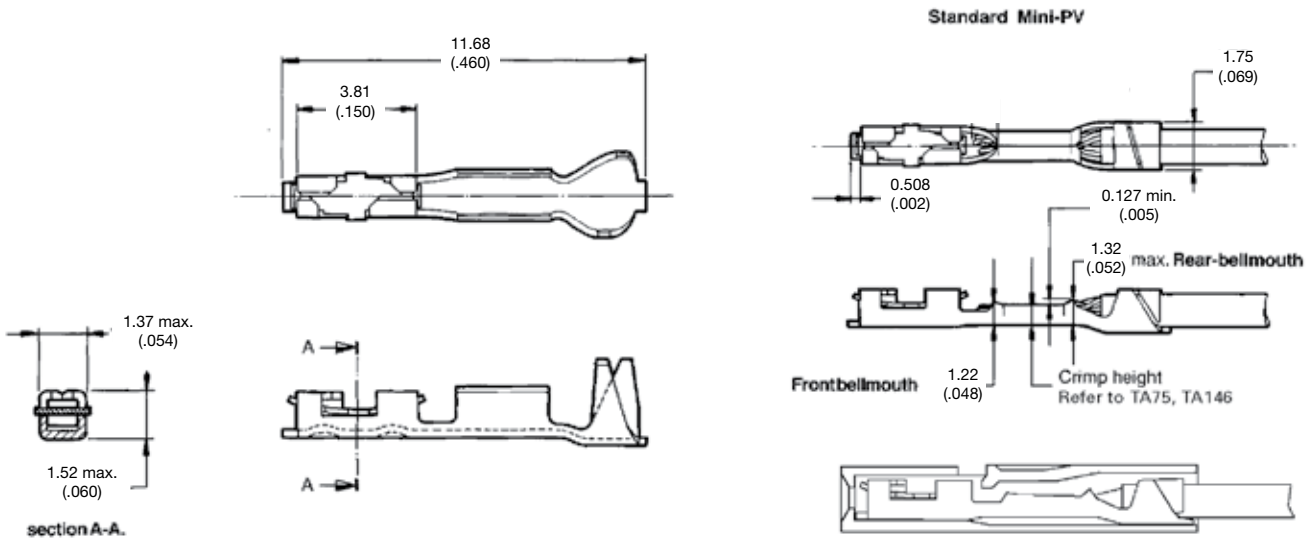
HOW TO SELECT THE RIGHT CONTACT

- Step 1** Select Application
- Step 2** Select Spring Force
- Step 3** Select Wire Size

Application	Spring Force
Housing	
40-72 Contacts Per Housing	Standard
10-50 Contacts Per Housing	High
2-20 Contacts Per Housing	Ultra High
Discrete Contact	Ultra High

Wire Size (AWG)	Application Spring Force	Part Number
18, 20 or two 22 or two 24	Standard	48276-002LF
	High	48047-002LF
	Ultra High	47566-002LF
22, 24, 26 or two 26 or two 28	Standard	47457-002LF
	High	47439-002LF
	Ultra High	47565-002LF
28, 30, 32 or two 30 or two 32	Standard	48048-002LF
	High	47437-002LF
	Ultra High	47564-002LF

PRODUCT



Dimension : mm (inch)

FEATURES

- ▶ Lowest profile housing in the industry
- ▶ Designed for use with our high reliability PV™ Contact

TECHNICAL DATA

PHYSICAL

- ▶ Housing: Black thermoplastic
- ▶ Flammability rating: UL 94 V-0

ELECTRICAL PERFORMANCE

- ▶ Insulation resistance: 1×10^5 M Ω min.
- ▶ Dielectric withstanding voltage: 1000 V rms

MECHANICAL PERFORMANCE

- ▶ Contact retention to housing: 17.76 N min.

OPERATING TEMPERATURE RANGE

- ▶ -40°C to +125°C



PACKAGING

- ▶ Bags

PROCESSING INFORMATION

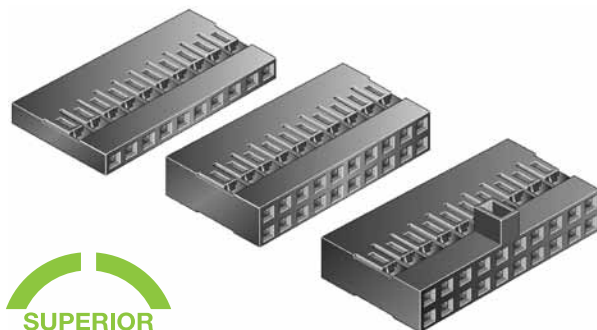
- ▶ Compatible with wave soldering processes

REFERENCE INFORMATION

- ▶  File no. E66906
- ▶  File no. LR46923
- ▶ Product drawing: By 5-digit base part number
- ▶ Product specification: BUS-12-067
- ▶ Application specification: TA-531

RoHs INFORMATION

- ▶ This product is RoHs compatible according to the European Union Directive 2002/95/IEC



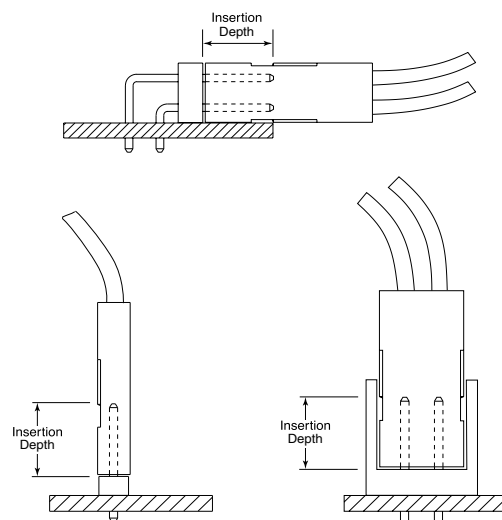
MATING DATA

- | | |
|-----------------------------------|-------|
| ▶ Continuous unshrouded headers | 12 |
| ▶ Unshrouded vertical headers | 8, 10 |
| ▶ Unshrouded right angle headers | 14 |
| ▶ see previous page for terminals | 36 |

INSERTION DEPTH

- ▶ 4.2 mm (.165") min. to 5.3 mm (.210") max.
[provides .381 mm (.015") wipe in housing].

TYPICAL APPLICATIONS



PV™ Crimp-to-Wire Housings

2.54 mm (.100")

PART NUMBERS

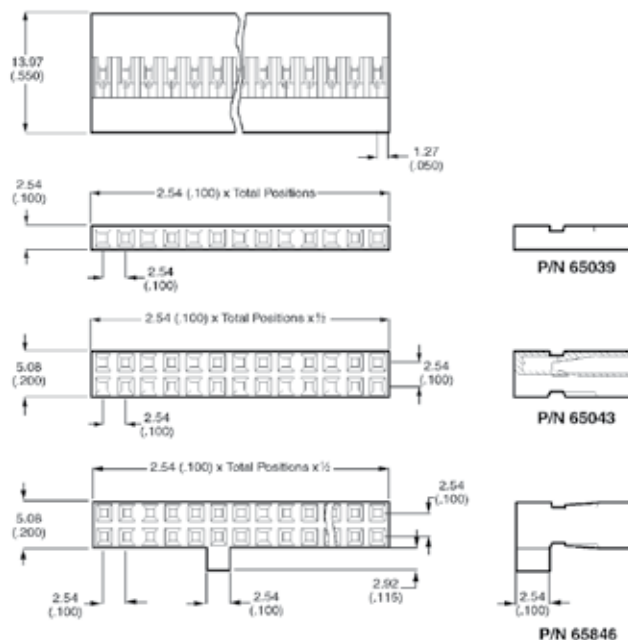


- 65039** = Single Row
- 65043** = Double Row
- 65846** = Double Row with Center Key

Total Positions	Single Row		Total Positions	Double Row	
	65039	78211		65043	65846
2	-035		4	-035	
3	-034	-003	6	-034	
4	-033	-004	8	-033	
5	-032	-005	10	-032	
6	-031	-006	12	-031	-017
7	-030	-007	14	-030	
8	-029	-008	16	-029	
9	-028	-009	18	-028	
10	-027	-010	20	-027	
11	-026	-011	22	-026	-018
12	-025	-012	24	-025	
13	-024	-013	26	-024	-019
14	-023	-014	28	-023	-020
15	-022	-015	30	-022	
16	-021		32	-021	-021
17	-020		34	-020	-022
18	-019		36	-019	-023
			38	-018	

Total Positions	Single Row		Total Positions	Double Row	
	65039	78211		65043	65846
19	-018		40	-017	-024
20	-017		42	-016	-025
21	-016		44	-015	-004
22	-015		46	-014	-026
23	-014		48	-013	-027
24	-013		50	-012	
25	-012		52	-011	-028
26	-011		54	-010	
27	-010		56	-009	-029
28	-009		58	-008	-030
29	-008		60	-007	-013
30	-007		62	-006	-031
31	-006		64	-005	-009
32	-005		66	-004	-032
33	-004		68	-003	-033
34	-003		70	-002	-034
35	-002		72	-001	-035
36	-001				

PRODUCT



Dimension : mm (inch)

FEATURES

- Recessed pins assure proper alignment and eliminate damage during mating
- End windows for latching with IDC receptacle

TECHNICAL DATA

PHYSICAL

- Housing: Glass filled, thermoplastic polyester, blue
- Flammability rating: UL 94 V-0
- Pin: Phosphor-bronze
- Plating: Gold/GXT over 1.27 μm (50μ") nickel

ELECTRICAL PERFORMANCE

- Current rating: 3 A continuous
- Insulation resistance: 1×10^5 MΩ min.
- Dielectric withstanding voltage: 500 V rms min.

MECHANICAL PERFORMANCE

- Pin retention to housing: 20 N min.

OPERATING TEMPERATURE RANGE

- -65°C to +105°C



PACKAGING

- Tubes

PROCESSING INFORMATION

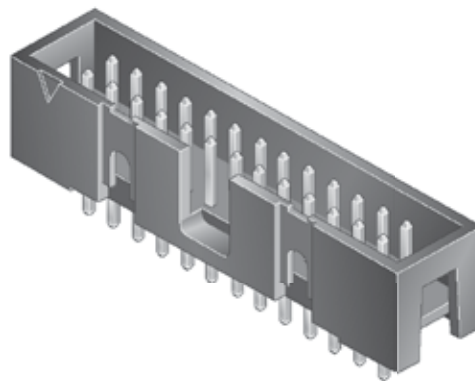
- Compatible with wave soldering processes

REFERENCE INFORMATION

-  File no. E66906
-  File no. LR46923
- Product drawing: By 5-digit base part number
- Product specification: BUS-12-082

RoHs INFORMATION

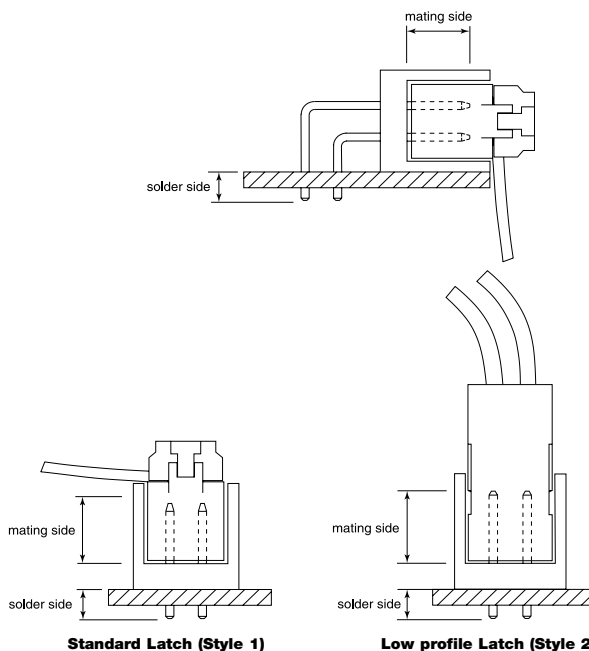
- This product is RoHs compatible according to the European Union Directive 2002/95/IEC



MATING DATA

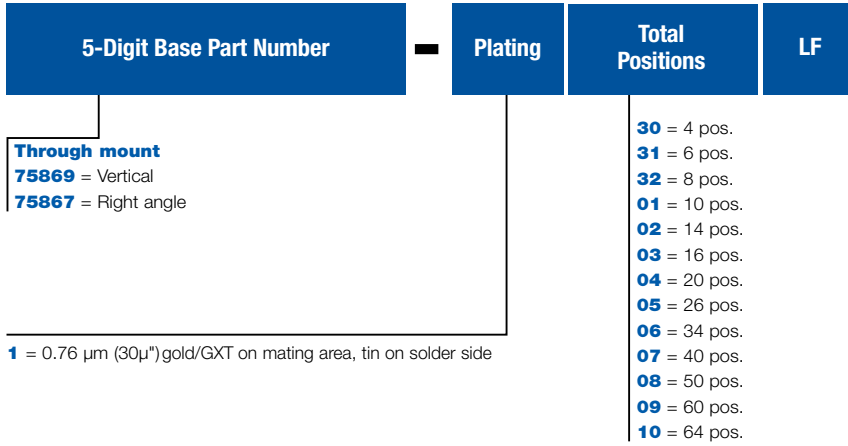
- Quickie™ IDC receptacles 46

TYPICAL APPLICATIONS



Quickie™ Shrouded Headers, Low Profile

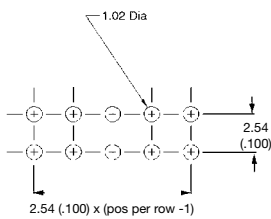
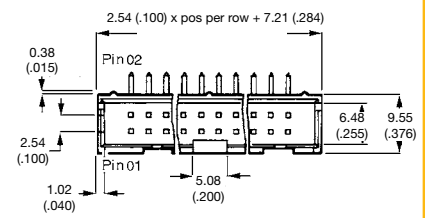
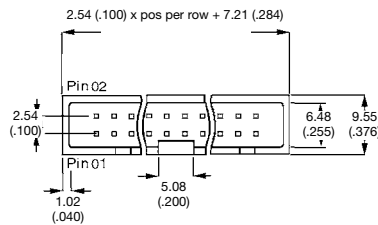
PART NUMBERS



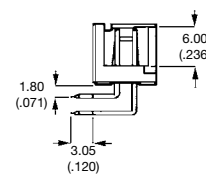
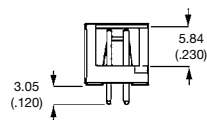
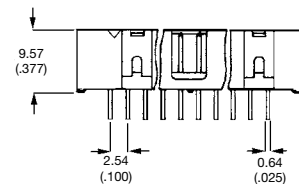
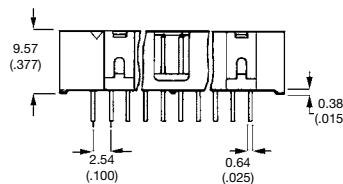
PRODUCT

Vertical

Right Angle



Recommended PCB layouts



Dimension : mm (inch)

2.54 mm (.100")

FEATURES

- High temperature housing
- Compatible with IR reflow soldering processes
- Tape-and-Reel packaging for automatic pick-and-place

TECHNICAL DATA

PHYSICAL

- Housing: Glass filled, high temperature thermoplastic polyester, black
- Flammability rating: UL 94 V-0
- Pin: Phosphor-bronze
- Plating: Gold/GXT over 1.27 μm (50μ") nickel



ELECTRICAL PERFORMANCE

- Current rating: 3 A continuous
- Insulation resistance: 1x 10⁵ MΩ min.
- Dielectric withstanding voltage: 500 V rms min.

MECHANICAL PERFORMANCE

- Pin retention to housing: 20 N min.

OPERATING TEMPERATURE RANGE

- 65°C to +125°C

PACKAGING

- SMT: Tape-and-reel with pick-up cap
- PiP, right angle: Tube without pick-up cap
- PiP, straight: Tape and reel

PROCESSING INFORMATION

- Compatible with wave, vapor-phase, and IR reflow soldering processes

REFERENCE INFORMATION

- File no. E66906
- File no. LR46923
- Product drawing: By 5-digit base part number
- Product specification: BUS-12-055

RoHs INFORMATION

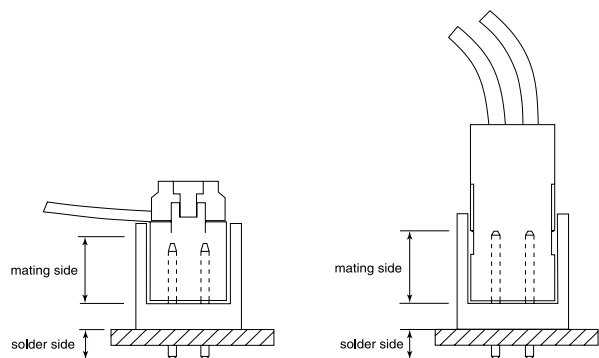
- This product is RoHs compatible according to the European Union Directive 2002/95/IEC



MATING DATA

- Quickie™ IDC receptacles 46

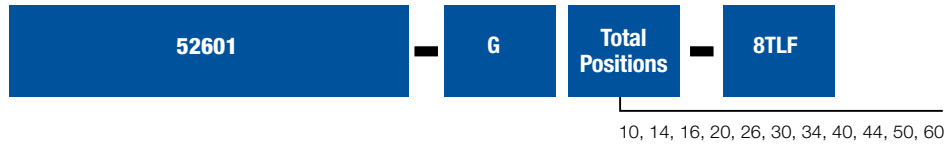
TYPICAL APPLICATIONS



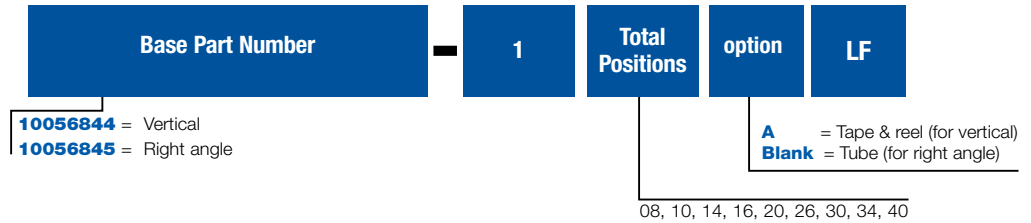
Quickie™ Shrouded Headers, Low Profile, SMT, Pin-in-Paste

PART NUMBERS

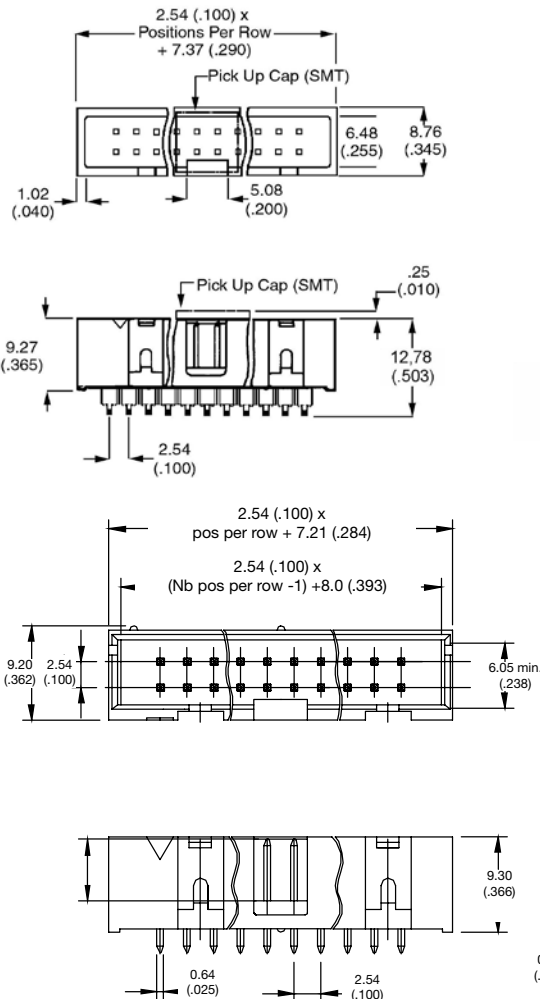
SMT (Surface Mount)



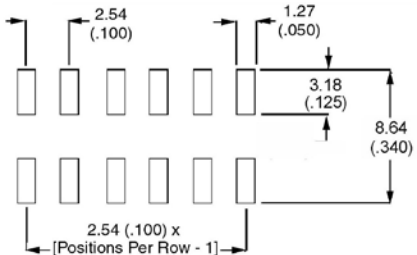
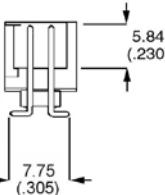
PiP (Pin-in-Paste)



PRODUCT

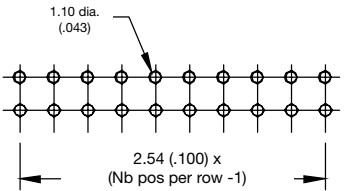


52601



Recommended PCB layouts

10056844



Recommended PCB layouts

Dimension : mm (inch)

FEATURES

- ▶ Selective plating
- ▶ Recessed pins assure proper alignment and eliminate damage during mating

TECHNICAL DATA

PHYSICAL

- ▶ Housing: Glass filled, high temperature thermoplastic polyester, grey
- ▶ Flammability rating: UL 94 V-0
- ▶ Pin: Phosphor-bronze
- ▶ Plating: Gold/GXT over 1.27 μm (50μ") nickel



ELECTRICAL PERFORMANCE

- ▶ Current rating: 3 A continuous
- ▶ Insulation resistance: 1x 10⁵ MΩ min.
- ▶ Dielectric withstanding voltage: 500 V rms min.

MECHANICAL PERFORMANCE

- ▶ Pin retention to housing: 20 N min.

OPERATING TEMPERATURE RANGE

- ▶ -65°C to +105°C

PACKAGING

- ▶ Tubes

PROCESSING INFORMATION

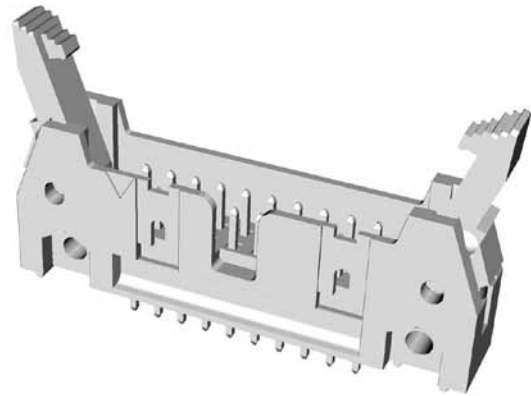
- ▶ Compatible with wave soldering processes

REFERENCE INFORMATION

- ▶ File no. E66906
- ▶ File no. LR46923
- ▶ Product drawing: By 5-digit base part number
- ▶ Product specification: BUS-12-082

RoHs INFORMATION

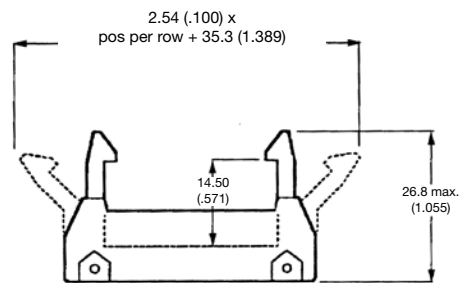
- ▶ This product is RoHs compatible according to the European Union Directive 2002/95/IEC



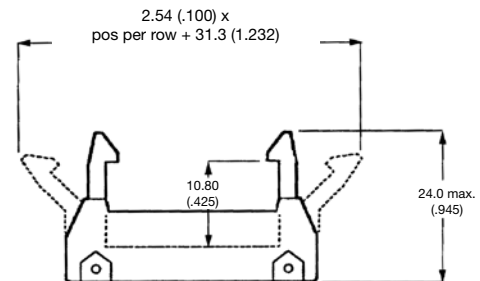
MATING DATA

- ▶ Quickie™ IDC receptacles 46

TYPICAL APPLICATIONS



Standard Latch (Style 1)



Low profile Latch (Style 2)

Quickie™ Shrouded Headers, Eject Latch

PART NUMBERS



Through mount

71918 = Vertical

71922 = Right angle

Plating = 0.76 μm (30μ") gold/GXT on mating area, tin on solder side

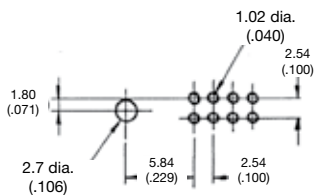
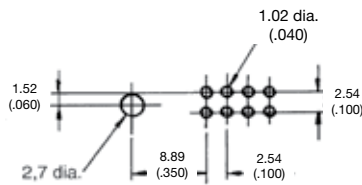
- 1** = Standard (mates with IDC Receptacle with Strain Relief)
- 2** = Low Profile (mates with IDC Receptacle without Strain Relief)

06, 08, 10, 14, 16, 18, 20, 26, 30, 34, 40, 44, 50, 60, 64

71918	-	1XXLF	
71922	-	1XXLF	

XX = 06, 08, 10, 16, 20

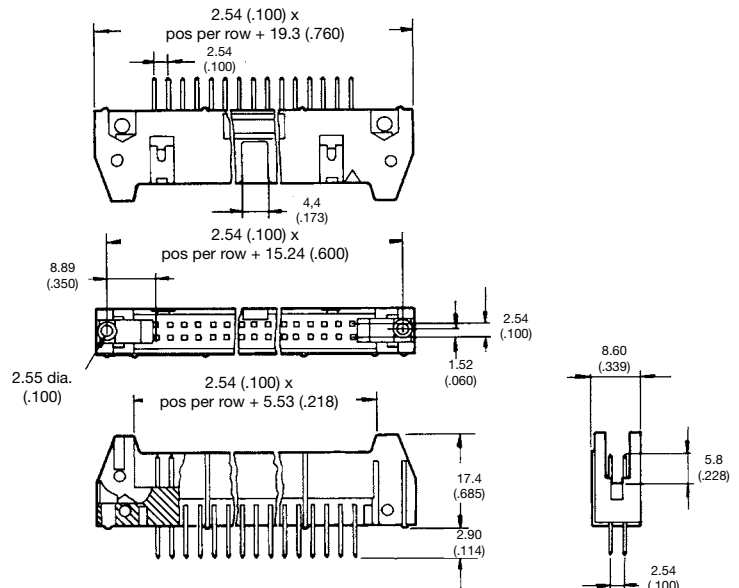
PRODUCT



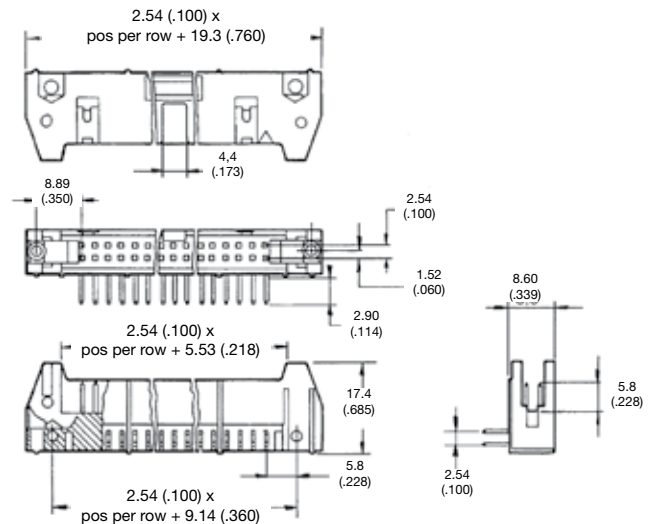
Recommended PCB layouts

Dimension : mm (inch)

Vertical



Right Angle



TECHNICAL DATA

PHYSICAL

- Housing: Grey thermoplastic
Flammability rating: UL 94 V-0
- Contact: Phosphor-bronze
- Plating: 0.76 µm (30µ") Gold/GXT over 1.27 µm (50 µ") nickel

ELECTRICAL PERFORMANCE

- Current rating: 1 A continuous
- Insulation resistance: 1x 10⁵ MΩ min.
- Contact resistance: 15 mΩ max.
- Dielectric withstanding voltage: 1000 V min. rms (sea level)

MECHANICAL PERFORMANCE

- Mating cycles (durability): 100

OPERATING TEMPERATURE RANGE

- -65°C to +105°C



PACKAGING

- Tubes

PROCESSING INFORMATION

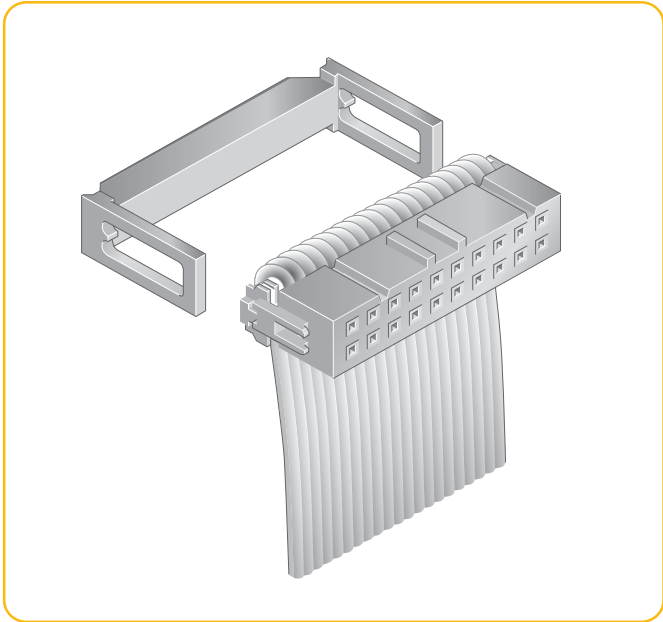
- Compatible with wave soldering processes

REFERENCE INFORMATION

-  File no. E66906
-  File no. LR46923
- Product drawing: By 5-digit base part number
- Product specification: BUS-12-095

RoHs INFORMATION

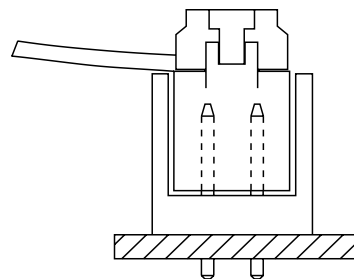
- This product is RoHs compatible according to the European Union Directive 2002/95/IEC



MATING DATA

- BergStik® unshrouded vertical headers 8, 12
- Quickie® shrouded low profile headers 40, 42
- Quickie® shrouded eject latch headers 44

TYPICAL APPLICATIONS

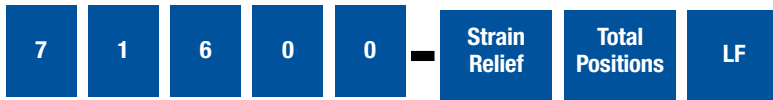


Low profile Latch (Style 2)

Quickie™ IDC Receptacle

2.54 mm (.100")

PART NUMBERS



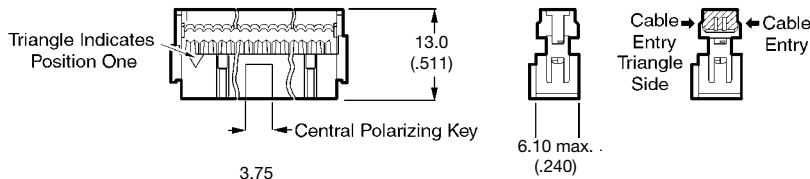
Note: 4 position available without strain relief only

04, 06, 08, 10, 14, 16, 20, 26, 34, 40, 50, 60, 64

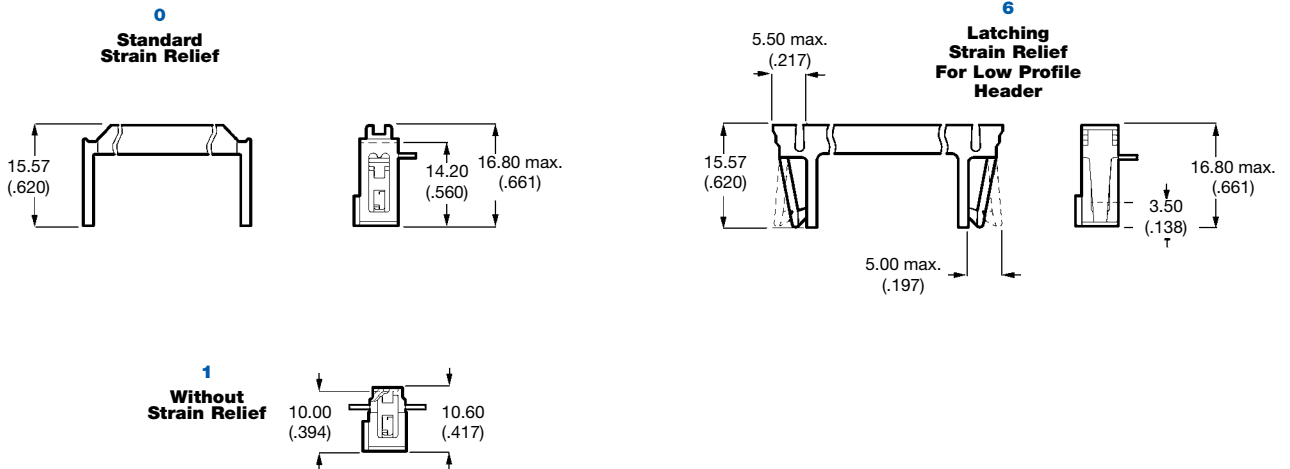
- 0** = Standard (Mates with Shrouded Eject Latch Header Latch 1)
- 1** = None (Mates with Shrouded Eject Latch Header Latch 2)
- 6** = Latching (Mates with Low Profile Headers)

71600 - 0XXLF **CORE RANGE**
 XX = 04, 06, 08, 10, 16, 20

PRODUCT



Cable specification:
 Wire size: AWG 28 stranded
 AWG 30 solid
 Pitch: 1.27 mm (.050")



Dimension : mm (inch)

FEATURES

- Ideal for daisy chain applications
- Single piece design provides one of the lowest applied costs in the industry

TECHNICAL DATA

PHYSICAL

- Housing: Blue thermoplastic
- Flammability rating: UL 94 V-0
- Pin: Phosphor-bronze
- Plating: Tin over 1.27 μm (50μ") nickel

ELECTRICAL PERFORMANCE

- Current rating: 1 A continuous
- Insulation resistance: $1 \times 10^5 \text{ M}\Omega$ min.
- Contact resistance: 15 mΩ max.
- Dielectric withstanding voltage: 1000 V min. rms (sea level)

OPERATING TEMPERATURE RANGE

- -65°C to +125°C



PACKAGING

- Tubes

PROCESSING INFORMATION

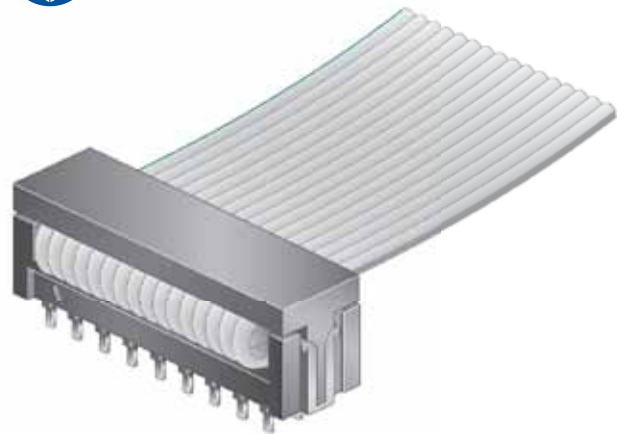
- Compatible with wave and vapor phase soldering processes — Low temperature

REFERENCE INFORMATION

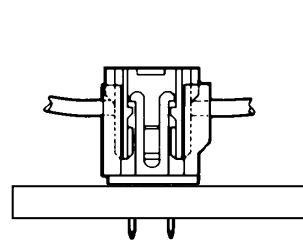
-  File no. E66906
-  File no. LR46923
- Product drawing: By 5-digit base part number
- Product specification: BUS-12-095

RoHs INFORMATION

- This product is RoHs compatible according to the European Union Directive 2002/95/IEC



TYPICAL APPLICATIONS



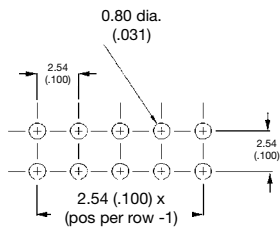
Quickie™ IDC PCB Connector

PART NUMBERS

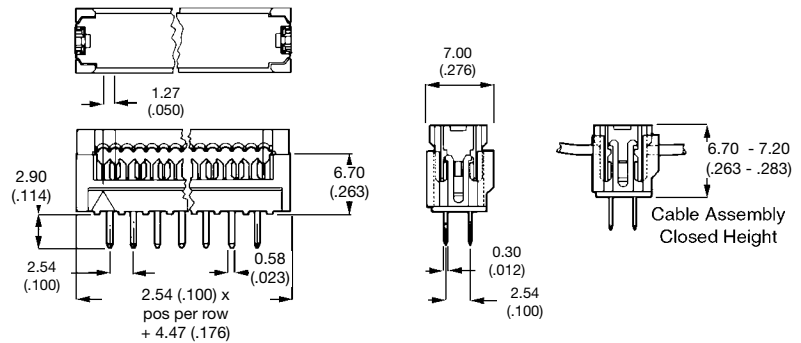


- | | | |
|---------------------|---------------------|---------------------|
| 06 = 6 pos. | 18 = 18 pos. | 34 = 34 pos. |
| 08 = 8 pos. | 20 = 20 pos. | 40 = 40 pos. |
| 10 = 10 pos. | 24 = 24 pos. | 50 = 50 pos. |
| 14 = 14 pos. | 26 = 26 pos. | 60 = 60 pos. |
| 16 = 16 pos. | 30 = 30 pos. | 64 = 64 pos. |

PRODUCT



Recommended PCB layouts





Dimension : mm (inch)

ELXBASICUS0610ELT

**For more information about e-catalog or FCI
sales offices, headquarters, agents and local distributors,
visit www.fciconnect.com**



Americas - Phone: 1 (800) 237 2374  Europe- - Phone: 33 1 39 49 21 83  Asia/Pacific - Phone: 65 6549 6666