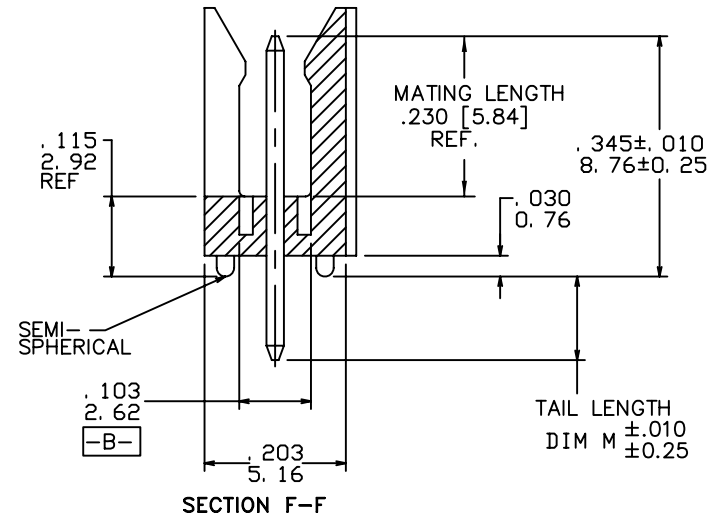
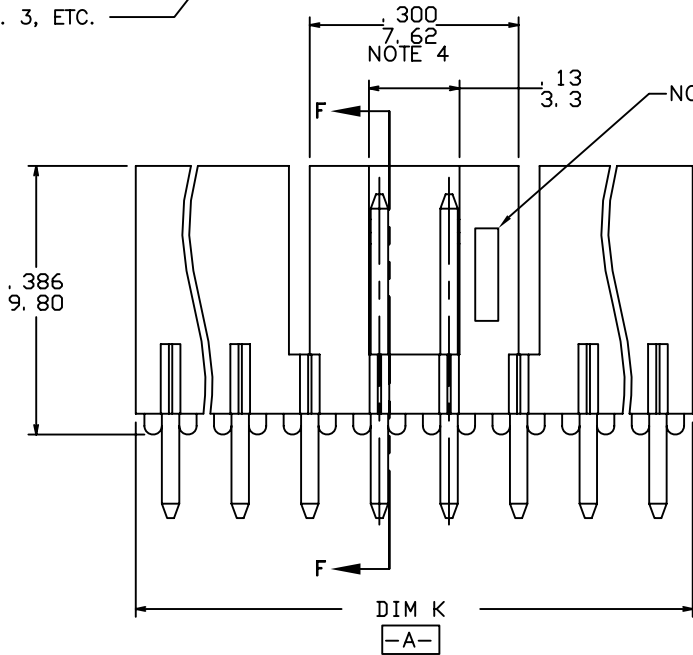
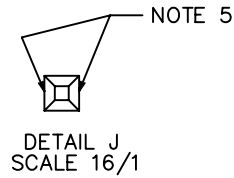
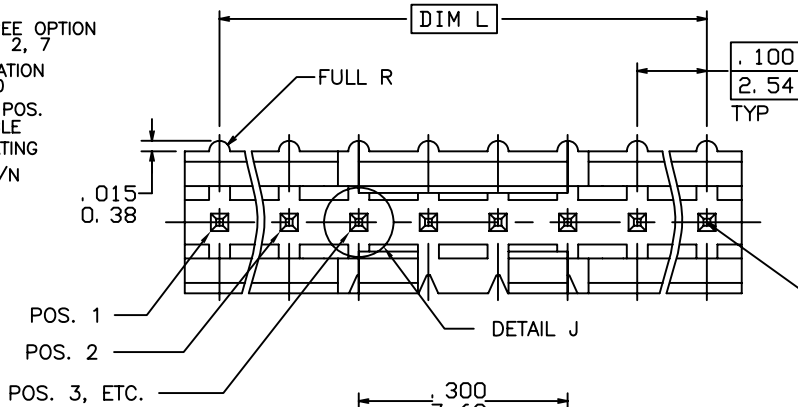


PRODUCT NUMBER
69167-XXXXXXHLF

- LEAD FREE OPTION
NOTE 1, 2, 7
- POLARIZATION
NOTE 10
- NO. OF POS.
SEE TABLE
- PIN PLATING
- BASE P/N



Copyright FCI

mat'l. code		surface ISO 1302		tolerance ISO 406 ISO 1101		projection INCH/MM		product family HEADER	
ltr	ecn no	dr	date	tolerances unless otherwise specified		INCH/MM		title	
T	ELX-N-011896	JZ	05/31/12	angles	.XX±.01/XX±0.3	INCH/MM		FRICION LATCH HEADER SINGLE ROW VERTICAL	
U	ELX-N-20582	J.H	03/30/15	linear	.XXX±.005/XX±0.13	scale 4:1		sheet 1 of 4 size	
N	MO5-0134	MHT	6/17/05	0'±2'	.XXXX±.0020/XXX±0.05	FCI		69167 A3	
P	MO5-0176	ERE	08/05/05	dr	M.CLOUSER	11/27/90		type Product Customer Drawing	
R	MO6-0256	MHT	9/07/06	enr	C.TREXTLER	11/27/90			
S	MO8-0291	MHT	10/06/08	chr	C.TREXTLER	11/27/90			
sheet	revision	U	U	U	U				
index	sheet	1	2	3	4				

PRODUCT NUMBER	NO OF POS	DIM K	DIM L	TAIL LENGTH DIM M
69167-X03	1 X 3	.300/7.62	.200/5.08	.120/3.05
69167-X04	1 X 4	.400/10.16	.300/7.62	.120/3.05
69167-X05	1 X 5	.500/12.70	.400/10.16	.120/3.05
69167-X06	1 X 6	.600/15.24	.500/12.70	.120/3.05
69167-X07	1 X 7	.700/17.78	.600/15.24	.120/3.05
69167-X08	1 X 8	.800/20.32	.700/17.78	.120/3.05
69167-X09	1 X 9	.900/22.86	.800/20.32	.120/3.05
69167-X10	1 X 10	1.000/25.40	.900/22.86	.120/3.05
69167-X11	1 X 11	1.100/27.94	1.000/25.40	.120/3.05
69167-X12	1 X 12	1.200/30.48	1.100/27.94	.120/3.05
69167-X13	1 X 13	1.300/33.02	1.200/30.48	.120/3.05
69167-X14	1 X 14	1.400/35.56	1.300/33.02	.120/3.05
69167-X15	1 X 15	1.500/38.10	1.400/35.56	.120/3.05
69167-X16	1 X 16	U N A V A I L A B L E		
69167-X17	1 X 17	U N A V A I L A B L E		
69167-X18	1 X 18	U N A V A I L A B L E		
69167-X19	1 X 19	U N A V A I L A B L E		
69167-X20	1 X 20	U N A V A I L A B L E		
69167-X21	1 X 21	U N A V A I L A B L E		
69167-X22	1 X 22	U N A V A I L A B L E		
69167-X23	1 X 23	U N A V A I L A B L E		
69167-X24	1 X 24	U N A V A I L A B L E		
69167-X25	1 X 25	U N A V A I L A B L E		
69167-X26	1 X 26	U N A V A I L A B L E		
69167-X27	1 X 27	U N A V A I L A B L E		
69167-X28	1 X 28	U N A V A I L A B L E		
69167-X29	1 X 29	U N A V A I L A B L E		
69167-X30	1 X 30	U N A V A I L A B L E		
69167-X31	1 X 31	U N A V A I L A B L E		
69167-X32	1 X 32	U N A V A I L A B L E		
69167-X33	1 X 33	U N A V A I L A B L E		
69167-X34	1 X 34	U N A V A I L A B L E		
69167-X35	1 X 35	U N A V A I L A B L E		
69167-X36	1 X 36	U N A V A I L A B L E		

PIN PLATING CODES	
XXXX-1YY	30u"/0.76u MIN (SEE NOTE 8) OVER 50u"/1.27u MIN Ni
XXXX-2YY	15u"/0.38u MIN (SEE NOTE 8) OVER 50u"/1.27u MIN Ni
XXXX-3YY	50u"/1.27u MIN (SEE NOTE 8) OVER 50u"/1.27u MIN Ni
XXXX-4YY	
XXXX-4YYHLF	100u"/2.54u MIN Sn OVER 50u"/1.27u MIN Ni (SEE NOTE 9)
XXXX-5YY	15u"/0.38u MIN (SEE NOTE 8) OVER 50u"/1.27u MIN Ni
XXXX-6YY	30u"/0.76u MIN (SEE NOTE 8) OVER 50u"/1.27u MIN Ni
XXXX-7YY	30u"/0.76u MIN (SEE NOTE 8) OVER 50u"/1.27u MIN Ni
XXXX-8YY	15u"/0.38u MIN (SEE NOTE 8) OVER 50u"/1.27u MIN Ni

NOTES:

- PART NUMBER OPTIONS:
PIN PLATING CODES (SEE ABOVE)
LEAD FREE:
ADD "HLF" AT THE END OF PART NUMBER FOR LEAD FREE OPTION, NOT AVAILABLE FOR -5YY, -5YYH, -6YY, -6YYH.
- BODY MATERIAL:
GLASS REINFORCED PCT COLOR: BLACK
FLAME RETARDANT PER UL 94 V-0
MAXIMUM OPERATING TEMPERATURE: 130° C
OR
MINERAL FILLED LCP, COLOR BLACK
FLAME RETARDANT PER UL 94 V-0

PART NUMBERS WITH "H" SUFFIX WILL WITHSTAND EXPOSURE TO 260°C PEAK TEMPERATURE FOR 20 SECONDS IN WAVE SOLDER, INFRA-RED OR VAPOR PHASE SOLDER PROCESS.

PART NUMBERS WITHOUT "H" SUFFIX WILL WITHSTAND EXPOSURE TO 260°C PEAK TEMPERATURE FOR WAVE SOLDER PROCESS.
- PIN MATERIAL: 3/4 HARD PHOS-BRONZE.
- NO SLOTS ON 1 X 5 POSITION OR SMALLER PRODUCT. THE CENTER KEY SLOT WILL BE ON ALL HEADERS REGARDLESS OF SIZE.
- TWO NON-CRITICAL SIDES OF PIN TIP NOT PLATED, BOTH ENDS
- COMPANY LOGO MAY APPEAR IN THIS AREA.
- THESE PRODUCTS MEET EUROPEAN UNION DIRECTIVES AND OTHER COUNTRY REGULATION AS DESCRIBED IN GS-22-008.
- PLATING OPTIONS:
PERFORMANCE PLATING WILL BE EITHER GOLD OR GXT ON CONTACT OR TAIL, OPTIONALLY (78~295u"/2~7.5u) TIN ON TAIL.
- "THIS PRODUCT HAS 100% TIN PLATING IN THE INTERFACE AND HAS NOT BEEN TESTED FOR WHISKER GROWTH IN ALL INTERCONNECT ENVIRONMENTS."
- FOR POLARIZATION, SPECIFY POSITION NUMBER (i.e. A03=ROW A POSITION 03) TO OMIT PIN.
OMIT FROM PRODUCT NUMBER IF THIS FEATURE IS NOT APPLICABLE.
PRODUCT MANAGEMENT APPROVAL REQUIRED PRIOR TO RELEASE OR SALE OF POLARIZED PRODUCT.



Copyright FCI

mat'l. code		surface <input checked="" type="checkbox"/> ISO 1302	tolerance <input checked="" type="checkbox"/> ISO 406	projection	product family
ltr		tolerances unless otherwise specified		INCH/MM	HEADER
U	ecn no	dr	date		title
				scale 4:1	FRICTION LATCH HEADER
					SINGLE ROW VERTICAL
		dr	M.CLOUSER 11/27/90		dwg no
		enr	C.TREXTLER 11/27/90		sheet 2 of 4
		chr	C.TREXTLER 11/27/90		69167
		appd	C.TREXTLER 11/27/90		A3
sheet index	revision sheet				type Product Customer Drawing

PRODUCT NUMBER	NO OF POS	DIM K	DIM L	TAIL LENGTH DIM M	POLARIZATION PIN POSITION
69167-X43	1 X 3	.300/7.62	.200/5.08	.190/4.83	
69167-X44	1 X 4	.400/10.16	.300/7.62	.190/4.83	
69167-X45	1 X 5	.500/12.70	.400/10.16	.190/4.83	
69167-X46	1 X 6	.600/15.24	.500/12.70	.190/4.83	
69167-X47	1 X 7	.700/17.78	.600/15.24	.190/4.83	
69167-X48	1 X 8	.800/20.32	.700/17.78	.190/4.83	
69167-X49	1 X 9	.900/22.86	.800/20.32	.190/4.83	
69167-X50	1 X 10	1.000/25.40	.900/22.86	.190/4.83	
69167-X51	1 X 11	1.100/27.94	1.000/25.40	.190/4.83	
69167-X52	1 X 12	1.200/30.48	1.100/27.94	.190/4.83	
69167-X53	1 X 13	1.300/33.02	1.200/30.48	.190/4.83	
69167-X54	1 X 14	1.400/35.56	1.300/33.02	.190/4.83	
69167-X55	1 X 15	1.500/38.10	1.400/35.56	.190/4.83	
69167-X56	1 X 16	U N A V A I L A B L E			
69167-X57	1 X 17	U N A V A I L A B L E			
69167-X58	1 X 18	U N A V A I L A B L E			
69167-X59	1 X 19	U N A V A I L A B L E			
69167-X60	1 X 20	U N A V A I L A B L E			
69167-X61	1 X 21	U N A V A I L A B L E			
69167-X62	1 X 22	U N A V A I L A B L E			
69167-X63	1 X 23	U N A V A I L A B L E			
69167-X64	1 X 24	U N A V A I L A B L E			
69167-X65	1 X 25	U N A V A I L A B L E			
69167-X66	1 X 26	U N A V A I L A B L E			
69167-X67	1 X 27	U N A V A I L A B L E			
69167-X68	1 X 28	U N A V A I L A B L E			
69167-X69	1 X 29	U N A V A I L A B L E			
69167-X70	1 X 30	U N A V A I L A B L E			
69167-X71	1 X 31	U N A V A I L A B L E			
69167-X72	1 X 32	U N A V A I L A B L E			
69167-X73	1 X 33	U N A V A I L A B L E			
69167-X74	1 X 34	U N A V A I L A B L E			
69167-X75	1 X 35	U N A V A I L A B L E			
69167-X76	1 X 36	U N A V A I L A B L E			
69167-X77	1 X 10	1.000/25.40	.900/22.86	.120/3.05	2/3/5/6/8/9
69167-X78	1 X 4	1.000/25.40	.900/22.86	.120/3.05	2/3

mat'l. code		surface ISO 1302	tolerance ISO 406 ISO 1101	projection 	product family HEADER
ltr	ecn no	dr	date	tolerances unless otherwise specified	title
U				angles linear XX±.01/XX±0.3 XXX±.005/XXX±0.13 XXXX±.0020/XXXX±0.05	FRICION LATCH HEADER SINGLE ROW VERTICAL
				0'±2'	INCH/MM scale 4:1
		dr	M.CLOUSER	11/27/90	dwg no
		enr	C.TREXTLER	11/27/90	sheet 3 of 4
		chr	C.TREXTLER	11/27/90	size
		appd	C.TREXTLER	11/27/90	69167
sheet index	revision sheet				A3
					type Product Customer Drawing



Copyright FCJ