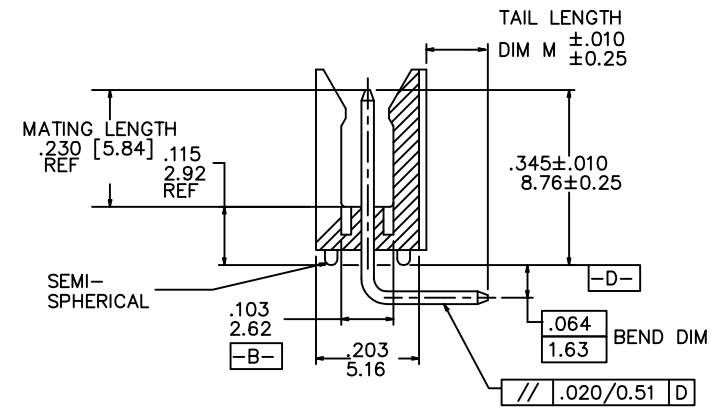
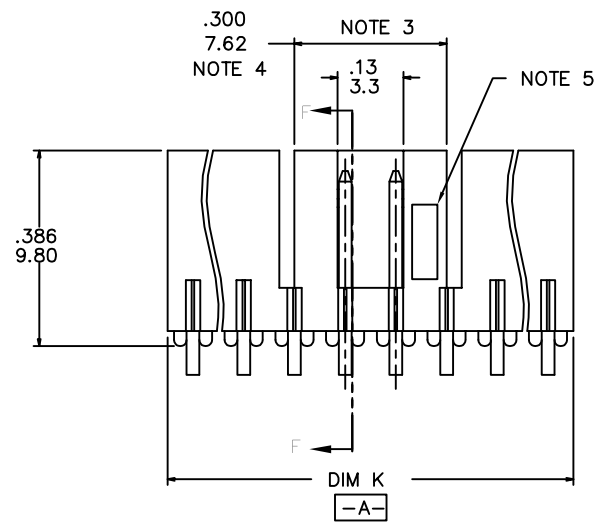
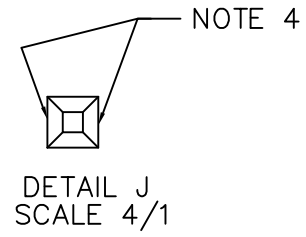
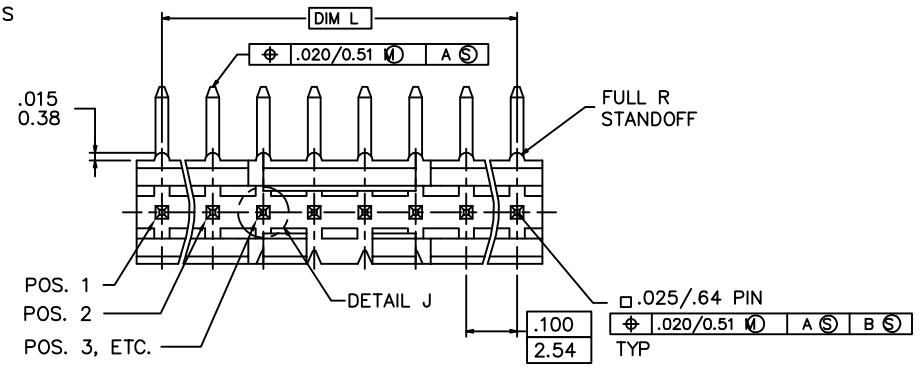


PRODUCT NO.
78208-XYHLF

- LEAD FREE OPTION
NOTE 6, 7 & 8
- NO. OF POSITIONS
SEE TABLE
- PIN PLATING
- BASE P/N



Copyright FCI

mat'l. code		surface ISO 1302 ✓		tolerance ISO 406 ISO 1101		projection ISO 1101		product family HEADER	
ltr		ecn no dr		date		tolerances unless otherwise specified		title	
L	ELX-N-011912	JZ	05/31/12			.XX±.01/.XX±0.3		FRICITION LATCH HEADER	
M	ELX-N-21463	MZ	07/22/15	angles	linear	.XXX±.005/.XXX±0.13		SINGLE ROW, R/A	
				0°±2'		.XXX±.0020/.XXX±0.051		scale 3:1	
G	M05-0134	ERE	06/15/05	dr	M.CLOUSER	11/26/90		dwg no	
H	M06-0256	MHT	9/07/06	engr	C.TREXLER	11/26/90		sheet 1 of 3	
J	M08-0023	MHT	1/28/08	chr	C.TREXLER	11/26/90		size 78208 A3	
K	M08-0291	MHT	10/08/08	appd	C.TREXLER	11/26/90		type Product Customer Drawing	
sheet	revision	M	M	M					
index	sheet	1	2	3					

form: A3

PRODUCT NO.	NO.OF POS.	DIM K	DIM L	TAIL LENGTH DIM M
78208-X03	1 X 3	.300/7.62	.200/5.08	.120/3.05
-X04	1 X 4	.400/10.16	.300/7.62	
-X05	1 X 5	.500/12.70	.400/10.16	
-X06	1 X 6	.600/15.24	.500/12.70	
-X07	1 X 7	.700/17.78	.600/15.24	
-X08	1 X 8	.800/20.32	.700/17.78	
-X09	1 X 9	.900/22.86	.800/20.32	
-X10	1 X 10	1.000/25.40	.900/22.86	
-X11	1 X 11	1.100/27.94	1.000/25.40	
-X12	1 X 12	1.200/30.48	1.100/27.94	
-X13	1 X 13	1.300/33.02	1.200/30.48	
-X14	1 X 14	1.400/35.56	1.300/33.02	
78208-X15	1 X 15	1.500/38.10	1.400/35.56	.120/3.05
78208-X43	1 X 3	.300/7.62	.200/5.08	.190/4.83

NOTES:

- MOLDING MAT'L: GLASS REINFORCED PCT OR MINRAL FILLED LCP, COLOR: BLACK
FLAME RETARDANT PER UL-94V-0
MAXIMUM OPERATING TEMPERATURE 130° C.
- PIN MATERIAL: 3/4 HD PHOS. BRZ.
- NO SLOTS ON 1 X 5 POSITION OR SMALLER PRODUCT. THE CENTER KEY SLOT WILL BE ON ALL HEADERS REGARDLESS OF SIZE.
- TWO NON-CRITICAL SIDES OF PIN TIP NOT PLATED, BOTH ENDS.
- COMPANY LOGO MAY APPEAR IN THIS AREA.
- ADD "HLF" SUFFIX AT THE END OF PART NUMBER FOR LEAD FREE OPTION, NOT AVAILABLE FOR -5YY, -5YYH, -6YY & -6YYH.
- PART NUMBERS WITH "H" SUFFIX WILL WITHSTAND EXPOSURE TO 260°C PEAK TEMPERATURE FOR 20 SECONDS IN WAVE SOLDER, INFRA-RED OR VAPOR PHASE SOLDER PROCESS.

PART NUMBERS WITHOUT "H" SUFFIX WILL WITHSTAND EXPOSURE TO 260°C PEAK TEMPERATURE FOR WAVE SOLDER PROCESS.
- THIS PRODUCT MEETS EUROPEAN UNION DIRECTIVES AND OTHER COUNTRY REGULATION AS DESCRIBED IN GS-22-008.
- PLATING OPTIONS:
PERFORMANCE PLATING WILL BE EITHER GOLD OR GXT ON CONTACT OR TAIL, OPTIONALLY (78~295u"/2~7.5u) TIN ON TAIL.
- "THIS PRODUCT HAS 100% TIN PLATING IN THE INTERFACE AND HAS NOT BEEN TESTED FOR WHISKER GROWTH IN ALL INTERCONNECT ENVIRONMENTS."

PIN PLATING CODES

-1YY	30u"/.76u (SEE NOTE 9) 50u"/1.27u Ni
-2YY	15u"/.38u (SEE NOTE 9) 50u"/1.27u Ni
-3YY	50u"/1.27u (SEE NOTE 9) 50u"/1.27u Ni
-4YY	100u"/2.54u MIN Sn 50u"/1.27u Ni (SEE NOTE 10)
-4YYHLF	
-5YY	15u"/.38u (SEE NOTE 9) 50u"/1.27u Ni
-6YY	30u"/.76u (SEE NOTE 9) 50u"/1.27u Ni
-7YY	30u"/.76u (SEE NOTE 9) OVER 50u"/1.27u Ni
-8YY	15u"/.38u (SEE NOTE 9) OVER 50u"/1.27u Ni

mat'l. code		surface ISO 1302 ✓		tolerance ISO 406 ISO 1101		projection ⊕		product family HEADER	
ltr	ecn	no	dr	date		tolerances unless otherwise specified		title	
M						angles	linear	INCH/MM	FRICITION LATCH HEADER SINGLE ROW, R/A
						0°±2'		scale 3:1	
				dr	M.CLOUSER	11/26/90			dwg no
				enrg	C.TREXLER	11/26/90			sheet 2 of 3
				chr	C.TREXLER	11/26/90			size
				appd	C.TREXLER	11/26/90			A3
sheet index		revision sheet						type Product Customer Drawing	

PRODUCT NO.	NO.OF POS.	DIM K	DIM L	TAIL LENGTH DIM M	POLARIZATION PIN POSITION
78208-X77	1 X 10	1.000/25.40	.900/22.86	.120/3.05	2/3/5/6/8/9
78208-X78	1 X 4	1.000/25.40	.900/22.86	.120/3.05	2/3



Copyright FCI

mat'l. code		surface ISO 1302 <input checked="" type="checkbox"/>		tolerance ISO 406 ISO 1101		projection 		product family HEADER	
ltr	ecn	no	dr	date		tolerances unless otherwise specified		title	
M						angles	linear	INCH/MM	
						0°±2'		FRICION LATCH HEADER SINGLE ROW, R/A	
								scale 3:1	
			dr	M.CLOUSER	11/26/90			dwg no	
			enr	C.TREXLER	11/26/90			sheet 3 of 3	
			chr	C.TREXLER	11/26/90			size	
			app	C.TREXLER	11/26/90			A3	
sheet index		revision sheet						type Product Customer Drawing	