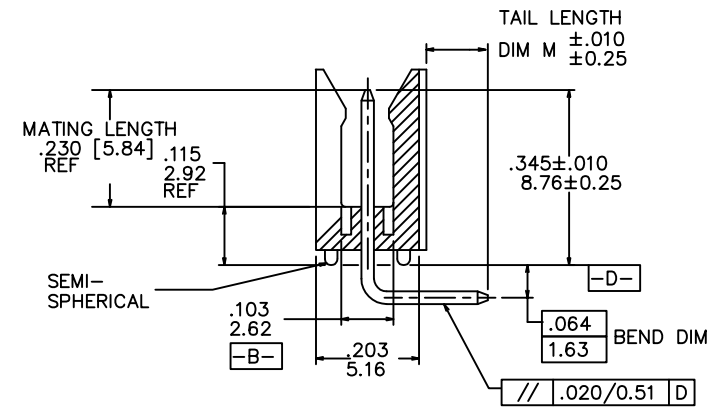
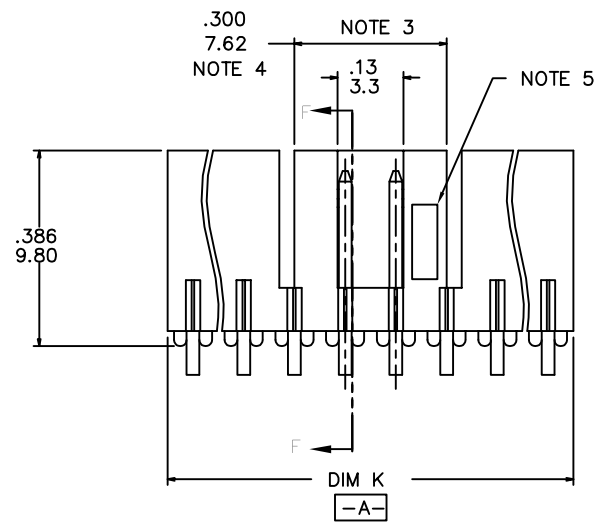
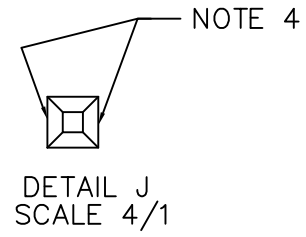
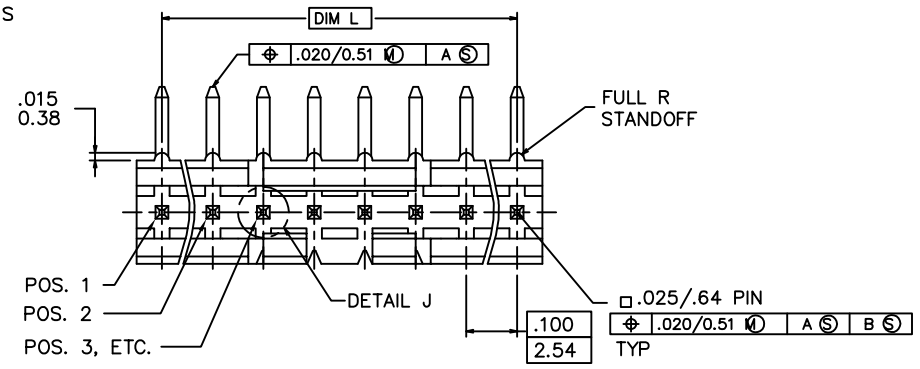


PRODUCT NO.
78208-XYHLF

- LEAD FREE OPTION
NOTE 6, 7 & 8
- NO. OF POSITIONS
SEE TABLE
- PIN PLATING
- BASE P/N



Copyright FCI

| | | | | | | | | | |
|-------------|--------------|-----------------------|----------|----------------------------------|-----------|---------------------------------------|--|-------------------------------|--|
| mat'l. code | | surface ISO 1302 ✓ | | tolerance ISO 406 ISO 1101 | | projection ISO 1101 | | product family HEADER | |
| ltr | | ecn no dr | | date | | tolerances unless otherwise specified | | title | |
| L | ELX-N-011912 | JZ | 05/31/12 | | | .XX±.01/.XX±0.3 | | FRICITION LATCH HEADER | |
| M | ELX-N-21463 | MZ | 07/22/15 | angles | linear | .XXX±.005/.XXX±0.13 | | SINGLE ROW, R/A | |
| | | | | 0°±2' | | .XXX±.0020/.XXX±0.051 | | scale 3:1 | |
| G | M05-0134 | ERE | 06/15/05 | dr | M.CLOUSER | 11/26/90 | | dwg no | |
| H | M06-0256 | MHT | 9/07/06 | engr | C.TREXLER | 11/26/90 | | sheet 1 of 3 | |
| J | M08-0023 | MHT | 1/28/08 | chr | C.TREXLER | 11/26/90 | | size 78208 A3 | |
| K | M08-0291 | MHT | 10/08/08 | appd | C.TREXLER | 11/26/90 | | type Product Customer Drawing | |
| sheet | revision | M | M | M | | | | | |
| index | sheet | 1 | 2 | 3 | | | | | |

form: A3

| PRODUCT NO. | NO.OF POS. | DIM K | DIM L | TAIL LENGTH DIM M |
|-------------|------------|-------------|-------------|-------------------|
| 78208-X03 | 1 X 3 | .300/7.62 | .200/5.08 | .120/3.05 |
| -X04 | 1 X 4 | .400/10.16 | .300/7.62 | |
| -X05 | 1 X 5 | .500/12.70 | .400/10.16 | |
| -X06 | 1 X 6 | .600/15.24 | .500/12.70 | |
| -X07 | 1 X 7 | .700/17.78 | .600/15.24 | |
| -X08 | 1 X 8 | .800/20.32 | .700/17.78 | |
| -X09 | 1 X 9 | .900/22.86 | .800/20.32 | |
| -X10 | 1 X 10 | 1.000/25.40 | .900/22.86 | |
| -X11 | 1 X 11 | 1.100/27.94 | 1.000/25.40 | |
| -X12 | 1 X 12 | 1.200/30.48 | 1.100/27.94 | |
| -X13 | 1 X 13 | 1.300/33.02 | 1.200/30.48 | |
| -X14 | 1 X 14 | 1.400/35.56 | 1.300/33.02 | |
| 78208-X15 | 1 X 15 | 1.500/38.10 | 1.400/35.56 | .120/3.05 |
| 78208-X43 | 1 X 3 | .300/7.62 | .200/5.08 | .190/4.83 |

- NOTES:
- MOLDING MAT'L: GLASS REINFORCED PCT OR MINRAL FILLED LCP, COLOR: BLACK
FLAME RETARDANT PER UL-94V-0
MAXIMUM OPERATING TEMPERATURE 130° C.
 - PIN MATERIAL: 3/4 HD PHOS. BRZ.
 - NO SLOTS ON 1 X 5 POSITION OR SMALLER PRODUCT. THE CENTER KEY SLOT WILL BE ON ALL HEADERS REGARDLESS OF SIZE.
 - TWO NON-CRITICAL SIDES OF PIN TIP NOT PLATED, BOTH ENDS.
 - COMPANY LOGO MAY APPEAR IN THIS AREA.
 - ADD "HLF" SUFFIX AT THE END OF PART NUMBER FOR LEAD FREE OPTION, NOT AVAILABLE FOR -5YY, -5YYH, -6YY & -6YYH.
 - PART NUMBERS WITH "H" SUFFIX WILL WITHSTAND EXPOSURE TO 260°C PEAK TEMPERATURE FOR 20 SECONDS IN WAVE SOLDER, INFRA-RED OR VAPOR PHASE SOLDER PROCESS.

PART NUMBERS WITHOUT "H" SUFFIX WILL WITHSTAND EXPOSURE TO 260°C PEAK TEMPERATURE FOR WAVE SOLDER PROCESS.
 - THIS PRODUCT MEETS EUROPEAN UNION DIRECTIVES AND OTHER COUNTRY REGULATION AS DESCRIBED IN GS-22-008.
 - PLATING OPTIONS:
PERFORMANCE PLATING WILL BE EITHER GOLD OR GXT ON CONTACT OR TAIL, OPTIONALLY (78~295u"/2~7.5u) TIN ON TAIL.
 - "THIS PRODUCT HAS 100% TIN PLATING IN THE INTERFACE AND HAS NOT BEEN TESTED FOR WHISKER GROWTH IN ALL INTERCONNECT ENVIRONMENTS."

PIN PLATING CODES

| | |
|---------|--|
| -1YY | 30u"/.76u (SEE NOTE 9) 50u"/1.27u Ni |
| -2YY | 15u/.38u (SEE NOTE 9) 50u"/1.27u Ni |
| -3YY | 50u"/1.27u (SEE NOTE 9) 50u"/1.27u Ni |
| -4YY | 100u"/2.54u MIN Sn 50u"/1.27u Ni (SEE NOTE 10) |
| -4YYHLF | |
| -5YY | 15u"/.38u (SEE NOTE 9) 50u"/1.27u Ni |
| -6YY | 30u"/.76u (SEE NOTE 9) 50u"/1.27u Ni |
| -7YY | 30u"/.76u (SEE NOTE 9) OVER 50u"/1.27u Ni |
| -8YY | 15u"/.38u (SEE NOTE 9) OVER 50u"/1.27u Ni |

| | | | | | | | | | |
|-------------|-----|-----------------------|----|----------------------------------|-----------|---------------------------------------|--------|-------------------------------|---|
| mat'l. code | | surface ISO 1302 ✓ | | tolerance ISO 406 ISO 1101 | | projection ⊕ | | product family HEADER | |
| ltr | ecn | no | dr | date | | tolerances unless otherwise specified | | title | |
| M | | | | | | angles | linear | INCH/MM | FRICION LATCH HEADER SINGLE ROW, R/A |
| | | | | | | 0°±2' | | scale 3:1 | |
| | | | | dr | M.CLOUSER | 11/26/90 | | | dwg no |
| | | | | enrg | C.TREXLER | 11/26/90 | | | sheet 2 of 3 |
| | | | | chr | C.TREXLER | 11/26/90 | | | size |
| | | | | appd | C.TREXLER | 11/26/90 | | | A3 |
| sheet index | | revision sheet | | | | | | type Product Customer Drawing | |

| PRODUCT NO. | NO.OF POS. | DIM K | DIM L | TAIL LENGTH DIM M | POLARIZATION PIN POSITION |
|-------------|------------|-------------|------------|-------------------|---------------------------|
| 78208-X77 | 1 X 10 | 1.000/25.40 | .900/22.86 | .120/3.05 | 2/3/5/6/8/9 |
| 78208-X78 | 1 X 4 | 1.000/25.40 | .900/22.86 | .120/3.05 | 2/3 |



Copyright FCI

| | | | | | | | | | |
|-------------|-----|---|-----|----------------------------------|----------|---------------------------------------|--------|---|--|
| mat'l. code | | surface ISO 1302 <input checked="" type="checkbox"/> | | tolerance ISO 406 ISO 1101 | | projection | | product family HEADER | |
| ltr | ecn | no | dr | date | | tolerances unless otherwise specified | | title | |
| M | | | | | | angles | linear | INCH/MM | |
| | | | | | | 0°±2' | | FRICION LATCH HEADER SINGLE ROW, R/A | |
| | | | | | | | | scale 3:1 | |
| | | | dr | M.CLOUSER | 11/26/90 | | | dwg no | |
| | | | enr | C.TREXLER | 11/26/90 | | | sheet 3 of 3 | |
| | | | chr | C.TREXLER | 11/26/90 | | | size | |
| | | | app | C.TREXLER | 11/26/90 | | | A3 | |
| sheet index | | revision sheet | | | | | | type Product Customer Drawing | |