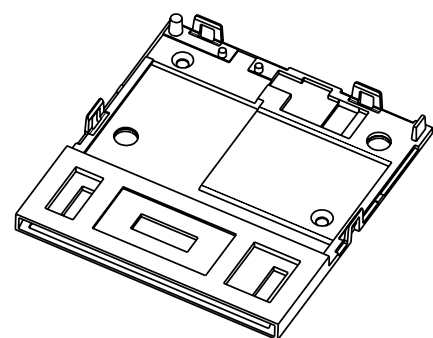


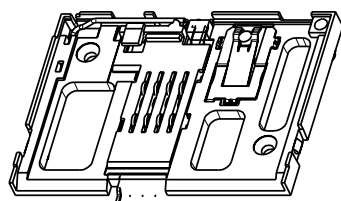
PART NUMBER	LEAD FREE VERSION
7312E0525S01	7312E0525S01LF

PACKAGING:

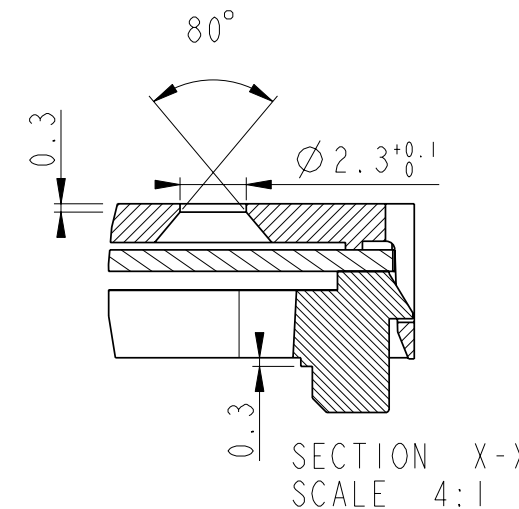
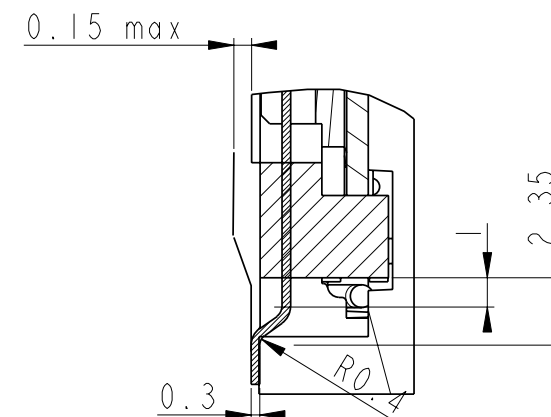
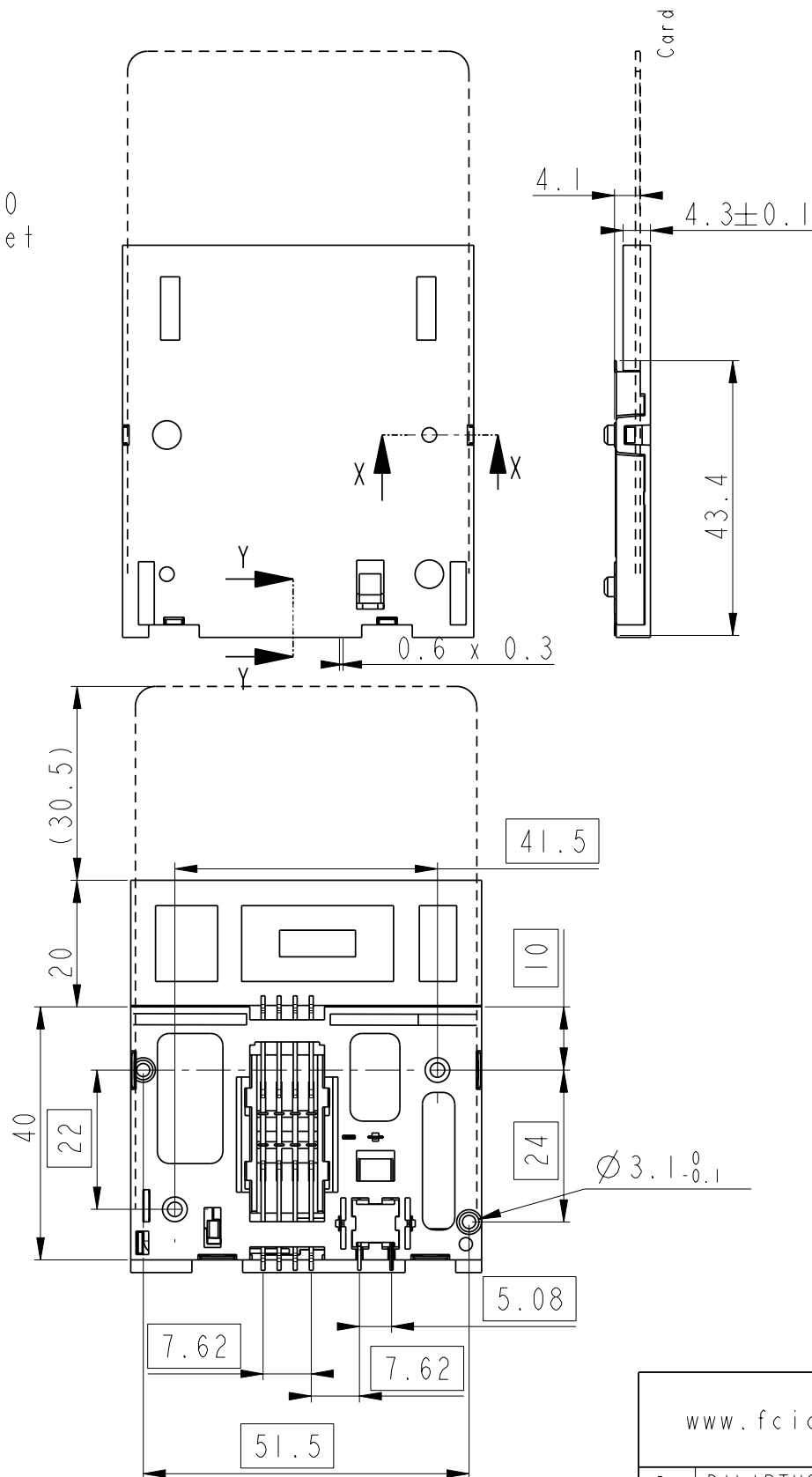
READER: Std. Tray
 COVER: Separately in SACHET 400x600
 240cnrs/box, 120cnrs/sachet



SCALE 4:5



SCALE 4:5



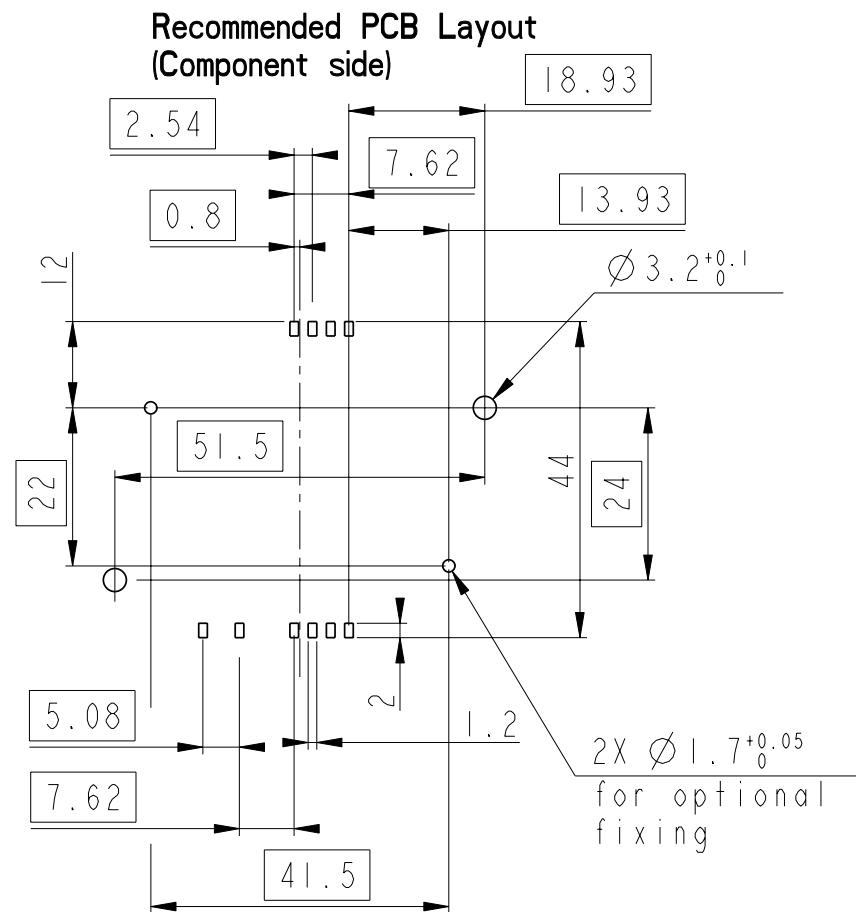
General Tolerances	
0 to 10mm:	±0.1mm
10 to 30mm:	±0.15mm
30 to 60mm:	±0.2mm
60 and more:	±0.3mm

www.fciconnect.com		surface -- ✓ ISO 1302	tolerance std ISO 406 ISO 1101	projection mm
TOLERANCES UNLESS OTHERWISE SPECIFIED				
Dr	DILIPTHOMAS	'05/07/08	ANGULAR	size A3
Eng	DILIPTHOMAS	'05/07/08	LINEAR	Scale 1:1
Chr	DILIPTHOMAS	'06/06/19	0° ±°	ECN 106-0078
Appr	K.V.SIVADAS	'06/06/19	Product family	MOBILE I/O
			Spec ref	--
FCI			title	8 POS. SMT E05 WITH PEGS
			dwg no	VJW53787
			Rev.	G
			catalog no	See Table
			INSPECTION	sheet 1 of 2

rev	ecn no	dr	date
A	F20307	DLE	02/04/29
B	F20341	DLE	02/06/04
C	F20364	DLE	02/06/24
D	LS3088	JTA	03/11/28
E	105-0035	DTK	'05/03/04
F	105-0176	NT	'05/09/29
G	106-0078	DTK	'06/06/19



Copyright FCI.



GENERAL :

High cycle life duration smart card connector with landing type contacts mechanism. The landing type connector also provides the feature of recessed contacts when card is not inserted which protects them against vandalism.
Smart card for reference purposes only.

ELECTRICAL PROPERTIES:

Insulation resistance : > 1000M Ω
Dielectric withstanding voltage : >750 Vrms
Current carrying capacity : Min 10 μ A, Max 1A
Contact resistance : < 100m Ω

MECHANICAL PROPERTIES :

Operating force : Insertion : F < 10N
Withdrawal : 1 < F < 10N
Contact Normal force : 0.2 < F < 0.3 for 0.6mm of deflection
Durability : 200 000 mating cycles

MATERIAL :

Head reader : High temp. Thermoplastic, Colour Black, Rated UL94V0
Cover : Thermoplastic, Colour black, Rated UL94V0
Contacts : Copper alloy,
Plating : 2.5 μ m Nickel min. all over
2 μ m Gold min. on contact area
3 μ m SnPb(60/40) min. on solder tails(for leaded version)
3 μ m matte tin min. on solder tails(for lead free version)

ENVIRONMENT :

Operating temperature : -40°C / +85°C
Climatic conditions : UTE 93-421

PACKAGING :

Plastic cavity tray

LEAD FREE VERSION:

"This product meets European Union Directives and other country regulations as described in GS-22-008"

The reader housing (not cover) will withstand exposure to 260°C peak temperature for 10seconds in a convection reflow oven.

www.fciconnect.com		surface -- ISO 1302	tolerance std ISO 406 ISO 1101	projection 	mm
TOLERANCES UNLESS OTHERWISE SPECIFIED					
Dr	DILIPTHOMAS	'05/07/08	ANGULAR	0.X	±
Eng	DILIPTHOMAS	'05/07/08	LINEAR	0.XX	±
Chr	DILIPTHOMAS	'06/06/19	0° ±°	0.XXX	±
Appr	K.V.SIVADAS	'06/06/19	Product family	MOBILE I/O	Spec ref --
		title 8 POS. SMT E05 WITH PEGS		dwg no VJW53787	
		SMART CARD READER VXX 27787		Rev. G	
		catalog no See Table		INSPECTION sheet 2 of 2	