

PART NUMBER	LEAD FREE VERSION	PACKAGING
7312E0225S01	7312E0225S01LF	Std Tray
7512E0225S01	7512E0225S01LF	Antistatic Tray
7712E0225S01	7712E0225S01LF	Small qty tray

A

B

C

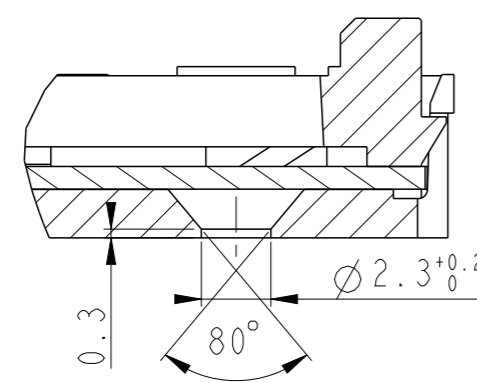
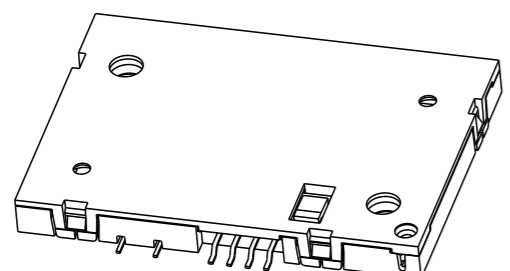
D

A

B

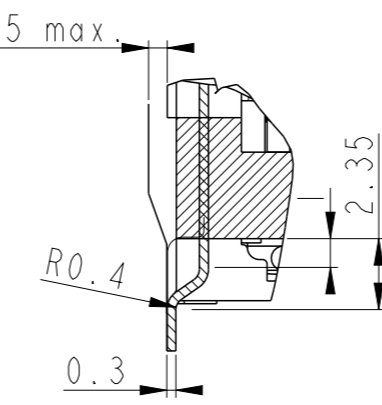
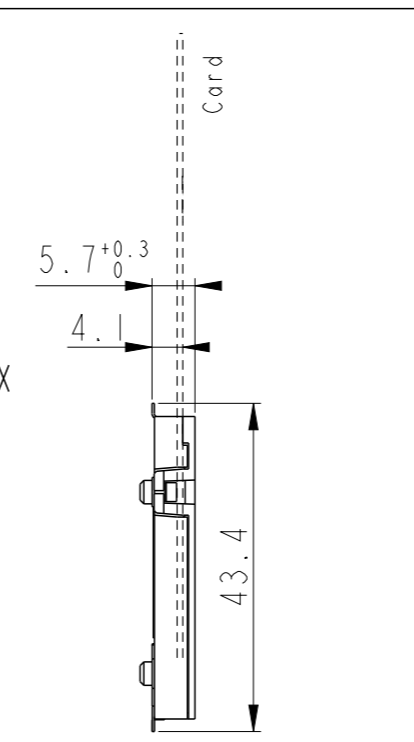
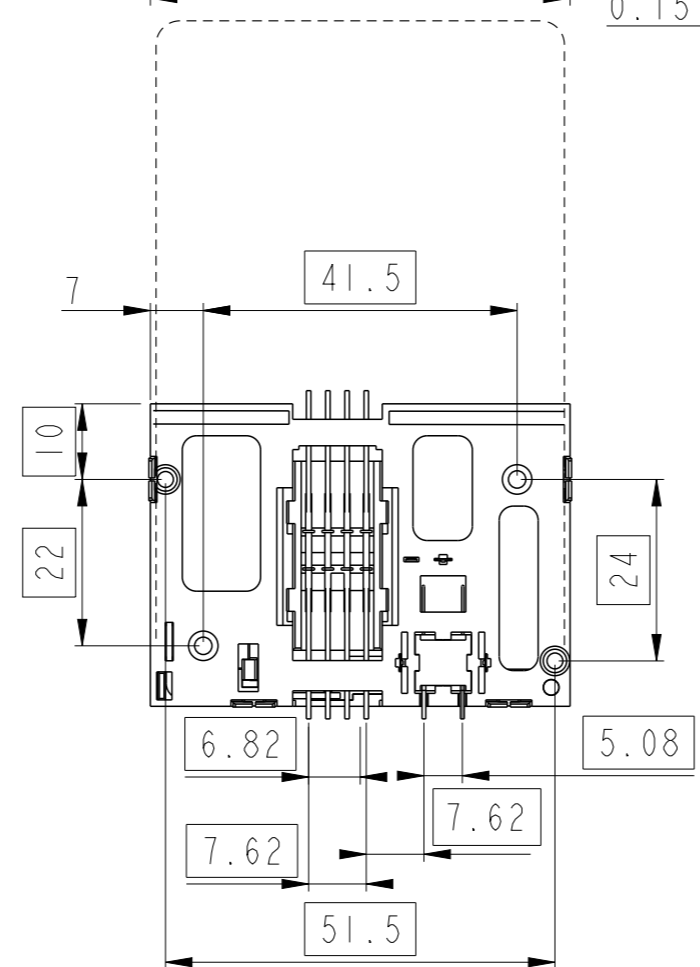
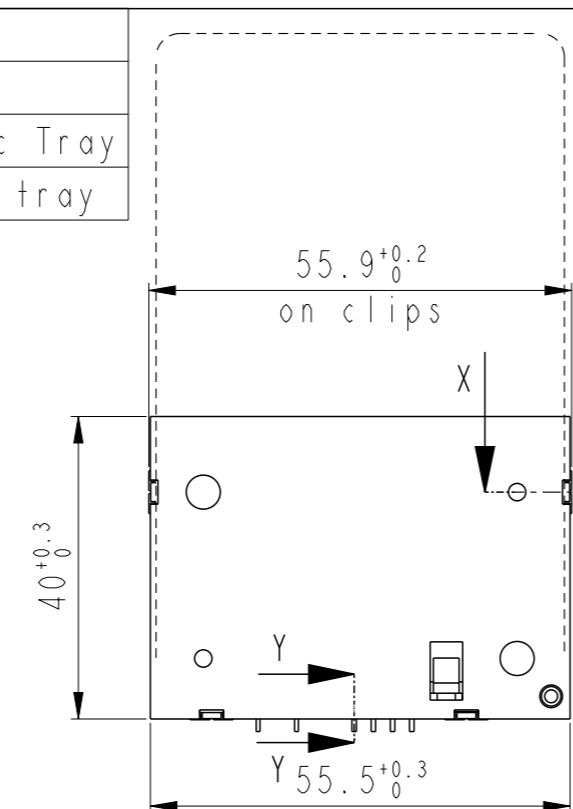
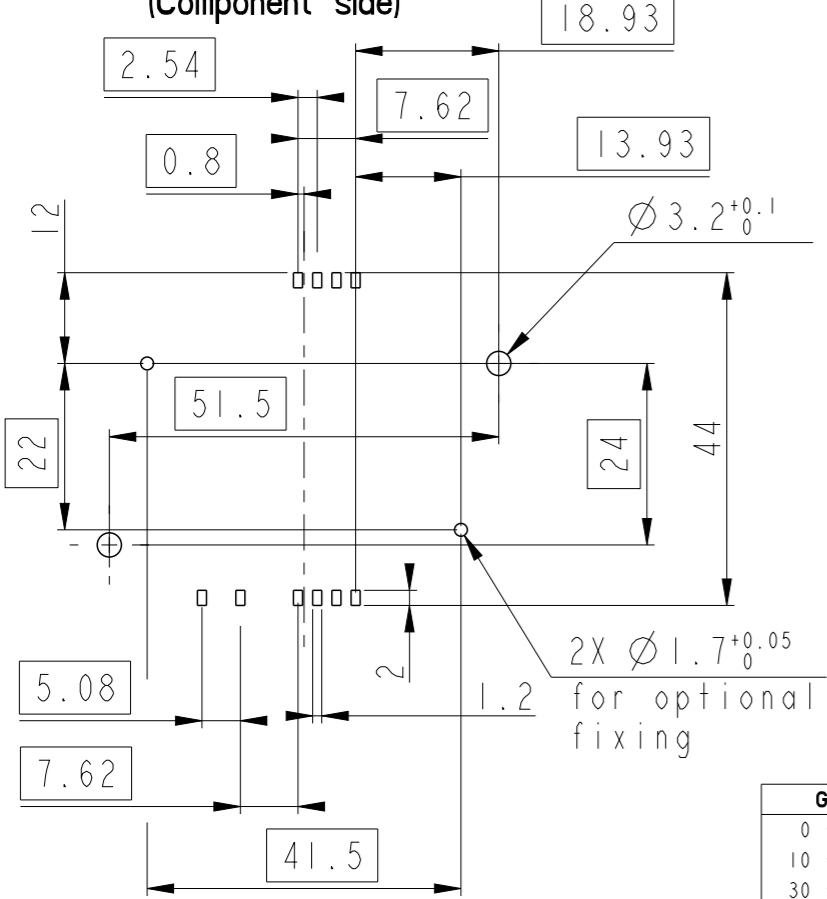
C

D



SECTION X-X  
SCALE 4:1

Recommended PCB Layout  
(Component side)



SECTION Y-Y  
SCALE 4:1

**GENERAL :**

High cycle life duration smart card connector with landing type contacts mechanism. The landing type connector also provides the feature of recessed contacts when card is not inserted which protects them against vandalism.  
Smart card for reference purposes only.

**ELECTRICAL PROPERTIES:**

Insulation resistance : > 1000MΩ  
Dielectric withstanding voltage : >750 Vrms  
Current carrying capacity : Min 10μA, Max 1A  
Contact resistance : < 100mΩ

**MECHANICAL PROPERTIES :**

Operating force : Insertion : F < 10N  
Withdrawal : 1 < F < 10N  
Contact Normal force : 0.2 < F < 0.3 for 0.6mm of deflection  
Durability : 200,000 mating cycles

**MATERIAL :**

Head reader : High temp. Thermoplastic, Black, Rated UL94V0  
Cover : SEE TABLE, Rated UL94V0  
Contacts : Copper alloy,  
Plating : Nickel min. all over  
Gold/Equivalent PdNi on contact area  
Matte tin min. on solder tails

**ENVIRONMENT :**

Operating temperature : -40°C / +85°C  
Climatic conditions : UTE 93-421

**PACKAGING :**

Plastic cavity tray

LEAD FREE VERSION:

"This product meets European Union Directives and other country regulations as described in GS-47-0004"

The housing will withstand exposure to 260°C peak temperature for 10seconds in a convection reflow oven.



Copyright FCI.

spec ref	--	dr	P-Mathew Nebu	2011/05/04	projection	mm	size	A3	scale	1:1
tolerance std	ISO 406 ISO 1101	eng	P-Mathew Nebu	2014/03/03		mm	ecn no	ELX-15846-1	rel level	Released
TOLERANCES UNLESS OTHERWISE SPECIFIED		chr	-	2014/03/03						
General Tolerances	surface	linear	0.X	±			cat. no.	See Table	Product - Customer Drw	sheet 1 of 1
0 to 10mm: ±0.1mm		angular	0.XX	±			dwg no	VJW54003	rev	G
10 to 30mm: ±0.15mm			0.XXX	±						
30 to 60mm: ±0.2mm			0°	±°						
60 and more: ±0.3mm	ISO 1302									