

# 7334L2622F01LF

Catalogue Part Number Key

Lead Free Version (Optional)

Durability  
 0: 2500 Mating Cycles  
 2: 10000 Mating Cycles  
 5: 100000 Mating Cycles

Number of contacts :  
 2: 8 contacts ISO  
 3: 16 contacts ISO + AFNOR

GENERAL:  
 This L26 connector uses a "sliding" contact technology suitable for most applications.  
 It has been designed for easy mounting on the PCB.

ELECTRICAL PROPERTIES:  
 Insulation resistance : 5000 MΩ min  
 Dielectric withstanding : 750 Vrms min  
 Current carrying capacity : 10μA min. 1A max  
 Contact resistance : 100mΩ max  
 Card sensor type : Normally closed

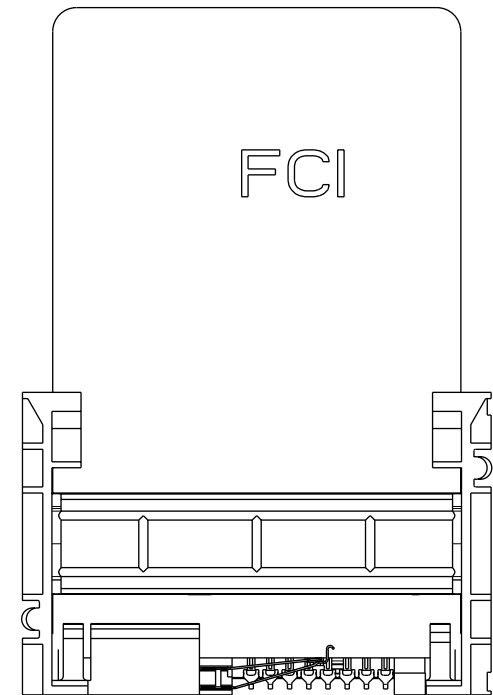
SWITCH:  
 Contact Closed Resistance : 100mΩ max  
 Open Contact Voltage Proof : 250 Vrms min.

MECHANICAL PROPERTIES:  
 Contact Normal force : 0.6 N max (EMV Standard)  
 Insertion force : 10 N max  
 Extraction force : 1 N min

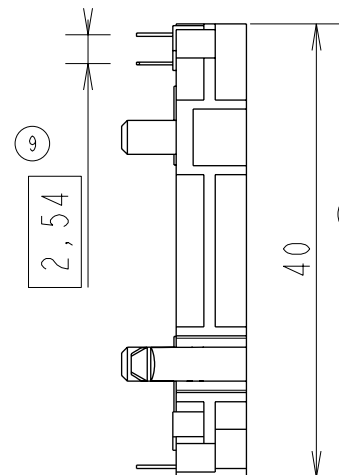
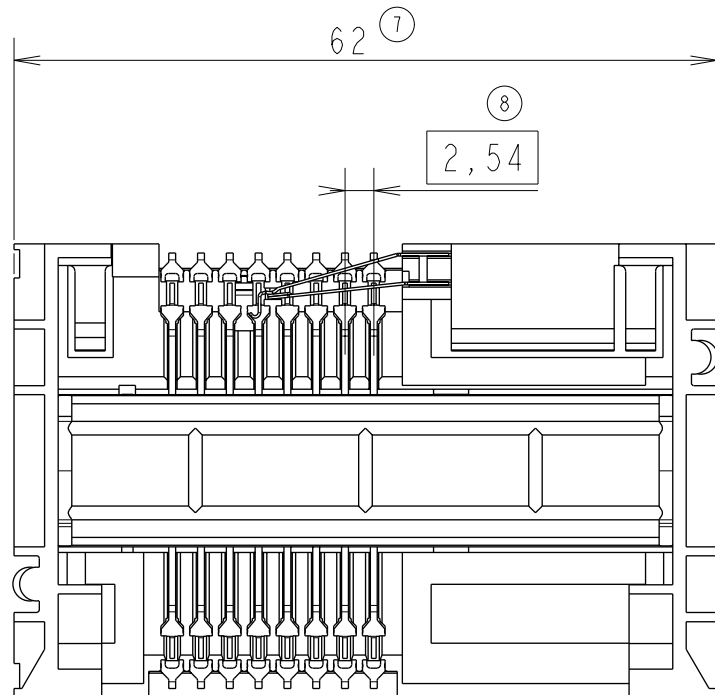
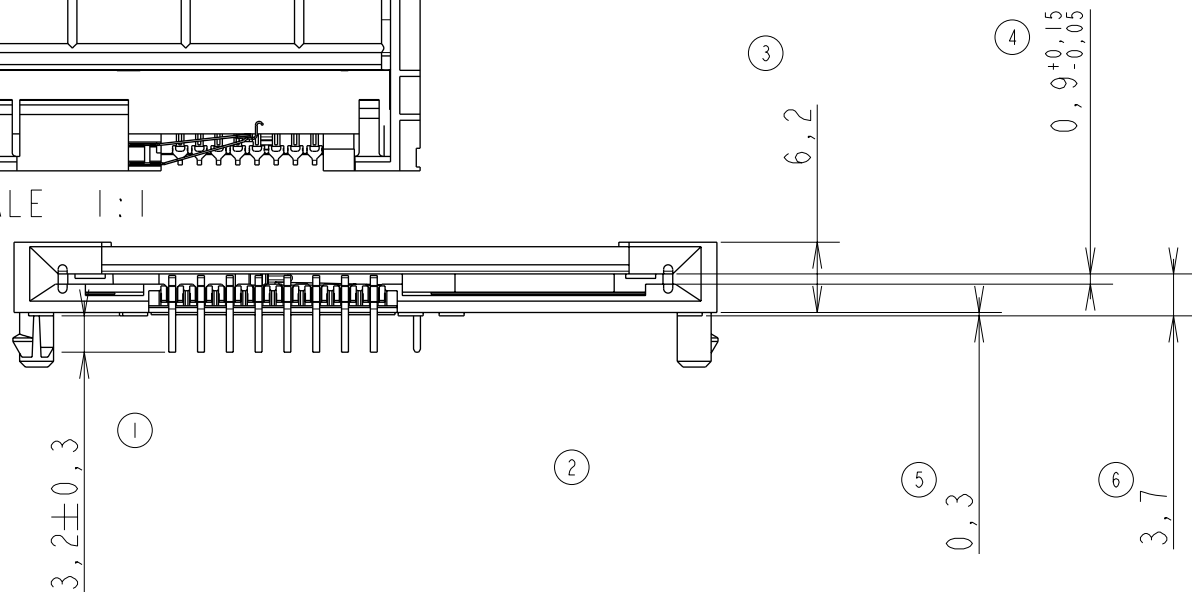
MATERIAL:  
 Housing : Thermoplastic, Colour Black, Rated UL94V0  
 Contacts and switch : Copper Alloy  
 Plating : Gold over Nickel on contact area  
           Matte Tin over Nickel on solder tails  
           Bare edge allowed

ENVIRONMENT:  
 Operating temperature: -20°C / +70°C  
 Storage temperature: -40°C / +85°C  
 Printed Circuit Board thickness : 1.6mm

REFERENCE DOCUMENTS:  
 Product specification VGN 11596  
 Packaging Specification VGN 11619



SCALE 1:1



### LEAD FREE VERSION:

"This product meets European Union Directives and other country regulations as described in GS-22-008"

The housing will withstand exposure to 260°C peak temperature for 10seconds in a wave solder application with a 1.6mm minimum thick circuit board. Use protective adhesive tape (Kapton or Teflon) or protective metallic devices on the areas which are directly exposed to wave soldering as it is used in classical leaded wave soldering

General Tolerances: ± 0.2 mm

www.fciconnect.com		surface ISO 1302	tolerance std ISO 406 ISO 1101	projection	mm
TOLERANCES UNLESS OTHERWISE SPECIFIED					
Dr	N. TWINCY	2002/04/30	ANGULAR	0.X ±	size A3
Eng	F TISSERAND	2002/04/30	LINEAR	0.XX ±	Scale 3:2
Chr	RAMESH.P.K	2009/04/15	0° ±°	0.XXX ±	ECN 109-0057
Appr	S.S.CHERIAN	2009/04/15	Product family	SMART CARDS	Spec ref SEE NOTES
FCI		L26 TYPE F01		dwg no	VJW_54701
---		---		Rev.	G
G		109-0057 SSC 2009/04/15		catalog no	SEE TABLE
				sheet 1 of 2	



