

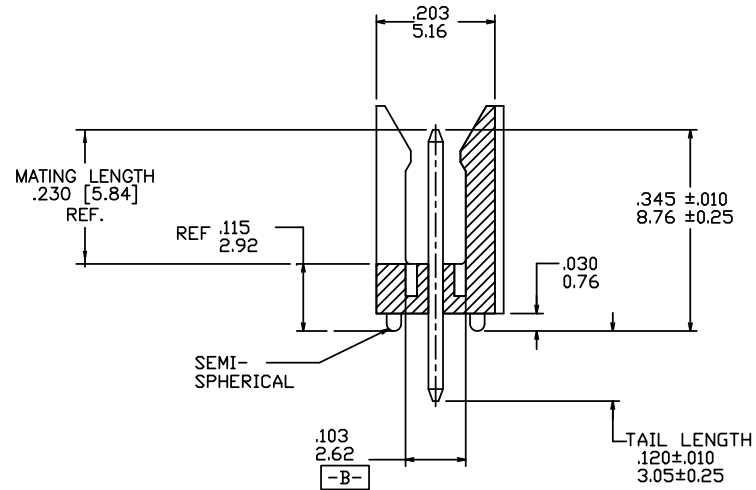
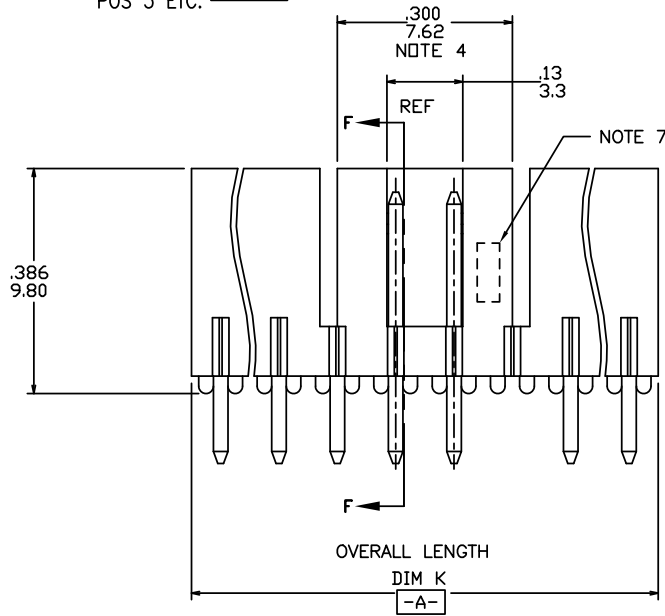
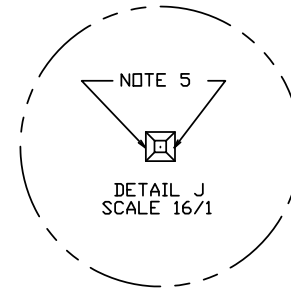
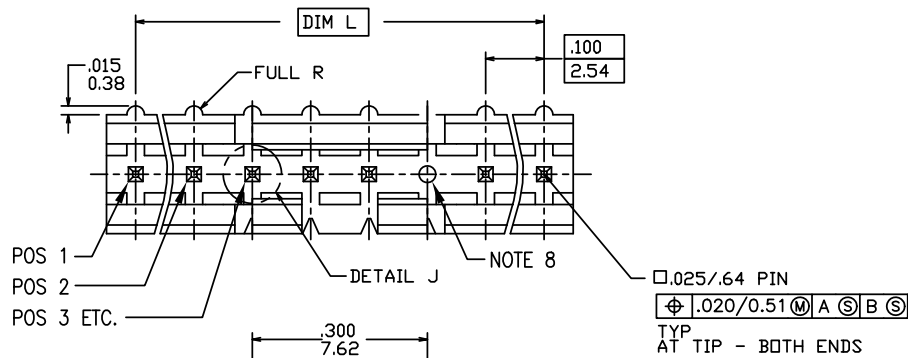
PRODUCT NO.
87800-XYHLF

LEAD FREE OPTION
NOTE 8, 9, 10

SEE TABLE

PIN PLATING

BASE PART
NUMBER



mat'l. code		surface		tolerance		projection		product family	
		ISD 1302 ✓		ISD 406		ASME Y14.5		HEADER	
ltr ecn nchr date		tolerances unless otherwise specified		linear		INCH/MM		title	
M	6X-N-011927	JZ	2012-05-31	angles	XXX±.01/XXX±.03	scale 1:1		FRICION LATCH HDR	
G	V50628	SAR	6/30/95	0°±2'	XXX±.005/XXX±.013			POLARIZED, SINGLE ROW VERT.	
H	V71187	HTB	9/4/97	dr	XXXX±.0020/XXXX±.051			dwg no	
J	M05-0134	ERE	06/15/05	engr		FCI		sheet of 2 size	
K	M06-0256	MHT	9/07/06	chr				87800 A3	
L	M08-0291	MHT	10/08/08	appd				type Product Customer Drawing	
sheet	revision	M	M						
index	sheet	1	2						

PRODUCT NUMBER	NO OF POS	DIM K OVERALL LENGTH	DIM L	POLARIZED POSITION
87800-X01	1 X 3	.300/ 7.62	.200/ 5.08	3
-X02	1 X 4	.400/10.16	.300/ 7.62	3
-X03	1 X 5	.500/12.70	.400/10.16	4
-X04	1 X 6	.600/15.24	.500/12.70	5
-X05	1 X 7	.700/17.78	.600/15.24	6
-X06	1 X 8	.800/20.32	.700/17.78	7
-X07	1 X 9	.900/22.86	.800/20.32	8
-X08	1 X 12	1.200/30.48	1.100/27.94	11
-X09	1 X 13	1.300/33.02	1.200/30.48	12
-X10	1 X 8	.800/20.32	.700/17.78	6
-X11	1 X 4	.400/10.16	.300/ 7.62	1
-X12	1 X 4	.400/10.16	.300/ 7.62	2 & 3
87800-X13	1 X 4	.400/10.16	.300/ 7.62	2

NOTES:

- MOLDING MAT'L: GLASS REINFORCED PCT OR MINERAL FILLED LCP COLOR: BLACK
FLAME RETARDANT PER UL 94V-0
MAXIMUM OPERATING TEMPERATURE: 130° C
- PIN MATERIAL: 3/4 HD PHOS. BRZ.
- NO SLOTS ON 2 X 5 POSITION OR SMALLER PRODUCT. THE CENTER KEY SLOT WILL BE ON ALL HEADERS REGARDLESS OF SIZE.
- TWO NON-CRITICAL SIDES OF PIN TIP NOT PLATED, BOTH ENDS.
- POSITION NUMBERS NOT SHOWN ON PART.
- COMPANY LOGO MAY APPEAR IN THIS AREA.
- PINS OMITTED FROM INDICATED POSITIONS FOR POLARIZATION (SEE TABLE).
- ADD "HLF" SUFFIX AT THE END OF PART NUMBER FOR LEAD FREE OPTION, NOT AVAILABLE FOR -5YY, -5YYH, -6YY & -6YYH.
- PART NUMBERS WITH "H" SUFFIX WILL WITHSTAND EXPOSURE TO 260°C PEAK TEMPERATURE FOR 20 SECONDS IN WAVE SOLDER, INFRA-RED OR VAPOR PHASE SOLDER PROCESS.
- PART NUMBERS WITHOUT "H" SUFFIX WILL WITHSTAND EXPOSURE TO 260°C PEAK TEMPERATURE FOR WAVE SOLDER PROCESS.
- THIS PRODUCT MEETS EUROPEAN UNION DIRECTIVES AND OTHER COUNTRY REGULATION AS DESCRIBED IN GS-22-008.
- PLATING OPTIONS:
PERFORMANCE PLATING WILL BE EITHER GOLD OR GXT ON CONTACT OR TAIL, OPTIONALLY (78~295u"/2~7.5u) TIN ON TAIL.
- "THIS PRODUCT HAS 100% TIN PLATING IN THE INTERFACE AND HAS NOT BEEN TESTED FOR WHISKER GROWTH IN ALL INTERCONNECT ENVIRONMENTS."

PIN PLATING CODES

-1YY	30u"/.76u MIN (SEE NOTE 11) 50u"/1.27u Ni
-2YY	15u"/.38u MIN (SEE NOTE 11) 50u"/1.27u Ni
-3YY	50u"/1.27u MIN (SEE NOTE 11) 50u"/1.27u Ni
-4YY	100u"/2.54u MIN Sn 50u"/1.27u Ni (SEE NOTE 12)
-4YYHLF	
-5YY	15u"/.38u MIN (SEE NOTE 11) 50u"/1.27u Ni
-6YY	30u"/.76u MIN (SEE NOTE 11) 50u"/1.27u Ni
-7YY	30u"/.76u MIN (SEE NOTE 11) OVER 50u"/1.27u MIN Ni
-8YY	15u"/.38u MIN (SEE NOTE 11) OVER 50u"/1.27u MIN Ni

mat'l. code	surface ISO 1302 ✓	tolerance ISO 406 ISO 1101	projection 	product family HEADER
ltr ecn nldr date	tolerances unless otherwise specified		title	
M	angles	linear	INCH/MM	FRICION LATCH HDR
	0±2'	X.XX±.01/X.XX.3 X.XX±.005/X.XX.13 X.XX±.0020/X.XX±0.051	scale 1:1	POLARIZED, SINGLE ROW VERT.
	dr	S.ROYER	6/28/94	dwg no
	engr	L.FYE	6/28/94	sheet 2 of 2 size
	chr	J.MURPHY	6/28/94	87800 A3
	appd	L.FYE	6/28/94	type Product Customer Drawing
sheet index	revision sheet			