

LEAD FREE CATALOGUE NUMBER

7712P0225A25LF

7312P0225A13LF



NOTES:

DESCRIPTION

Connector especially designed for SMT technology
EMV compatible and in accordance with ISO 7816-2

MECHANICAL

Contacts force : between 0.2N-0.5N
Durability : 100000 cycles
Insertion force : 10 N max
Extraction force : 1 N min

ELECTRICAL

Insulation resistance : 1000MOhms
Dielectric withstand voltage between card contacts and detection switch : 1000 Vrms
contact resistance:100 miliohms
Current carrying : min 10 micro A max 1A

SWITCH

Contact closed : contact resistance 100mOhms
Open contact : voltage proof 300Vms

MATERIAL

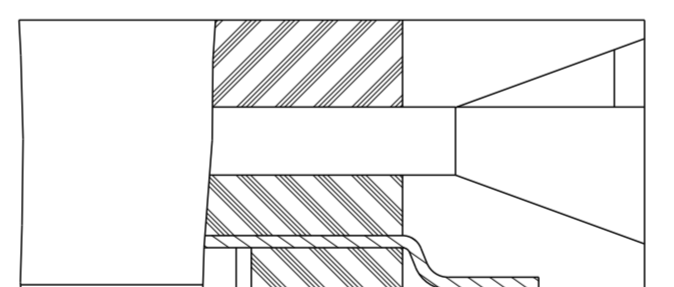
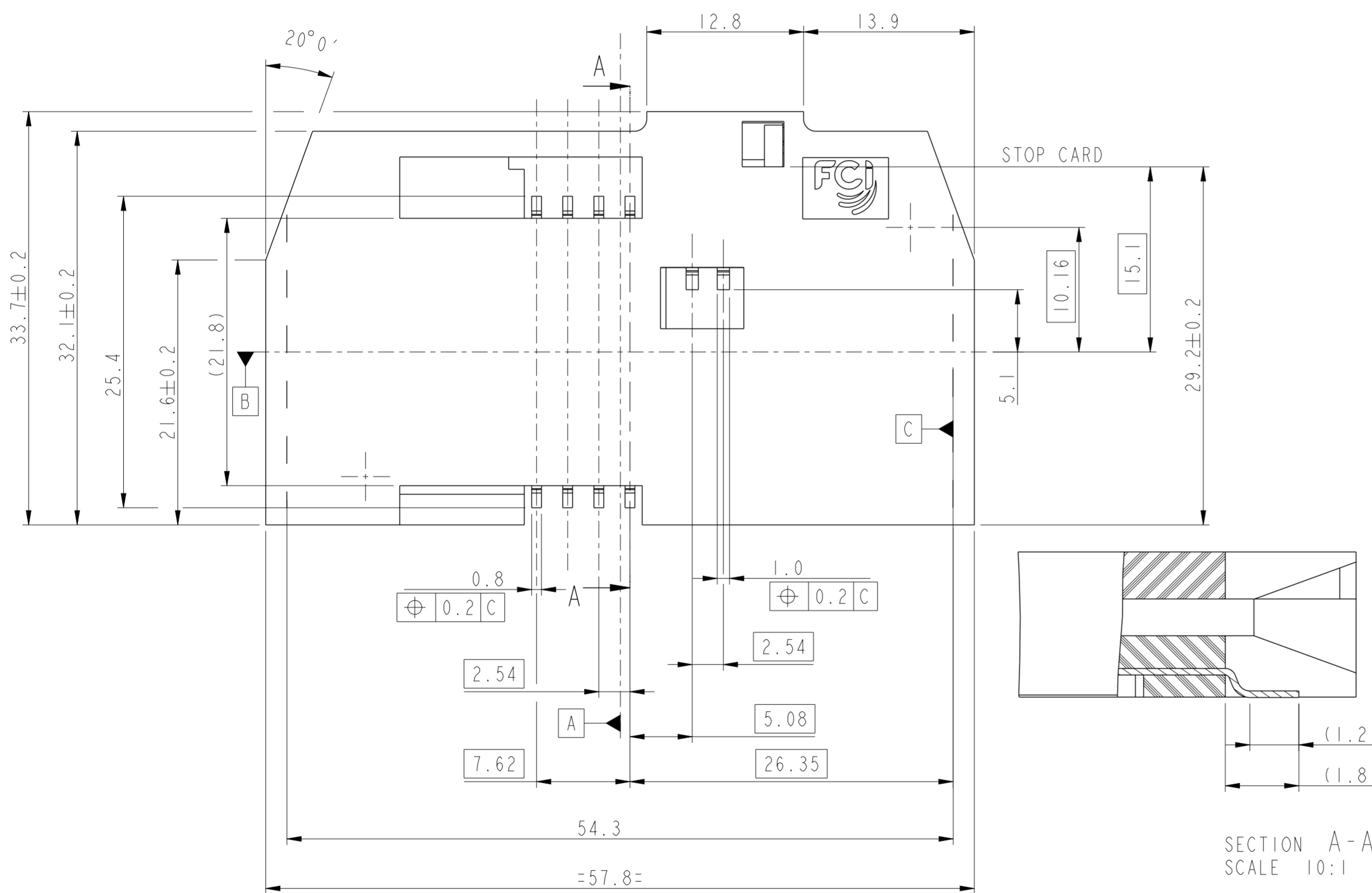
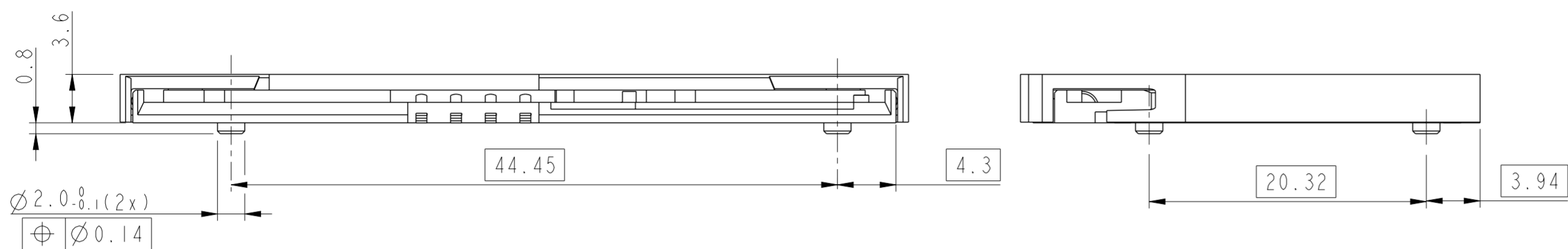
Contacts : copper alloy
Cover :
Color for LF part : Natural
Plating : Gold / Equivalent PdNi over Nickel on contact area
Solder tails : Sn bare edge allowed
Housing : self extinguishing, Thermoplastic
UL94-V0 rated

ENVIRONMENT

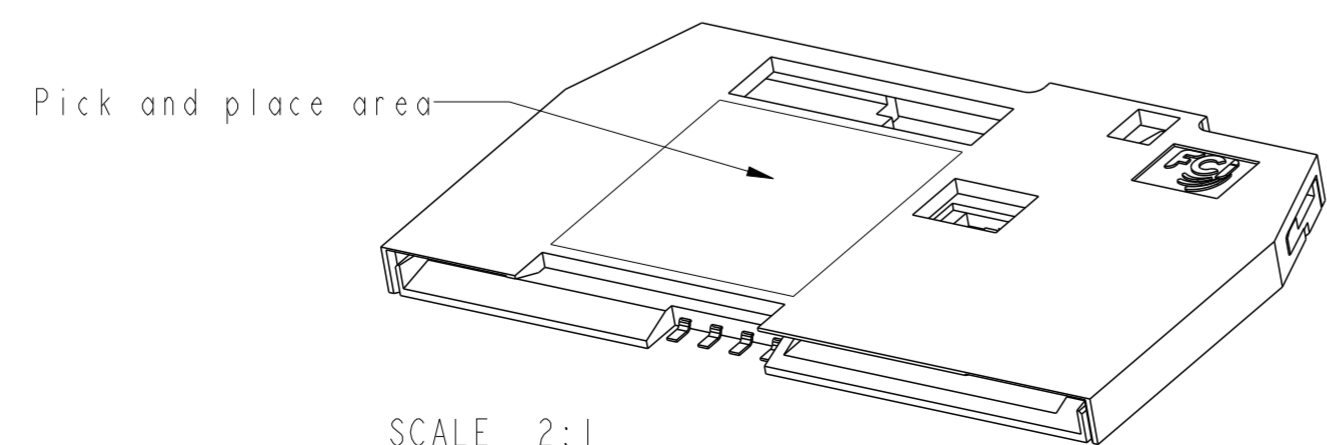
Storage temperature : -40°C, +85°C
Operating temperature : -20°C, +70°C
Packaging : Tray
Compatible reflow soldering process

NOTE: RoHS INFORMATIONS

-The "LF" products meet European Union Directives and other country regulations as described in GS-47-0004 .
- The housing will withstand exposure to 260°C peak temperature for 30 seconds in a convection, infra-red or vapor reflow oven. See Application notes/procedures, if they are available.
- Packaging spec: see GS-14-920



SECTION A-A
SCALE 10:1

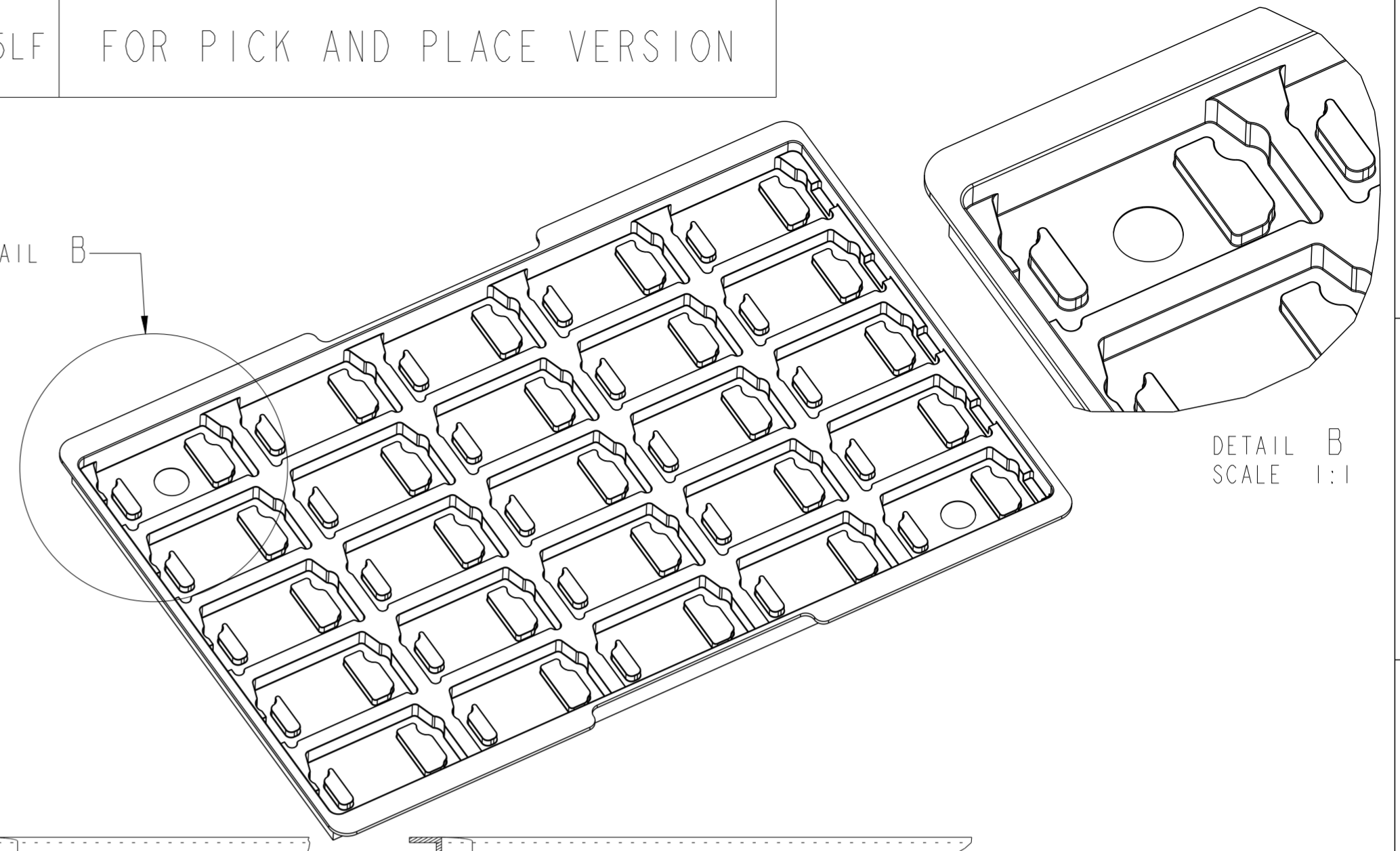


SCALE 2:1

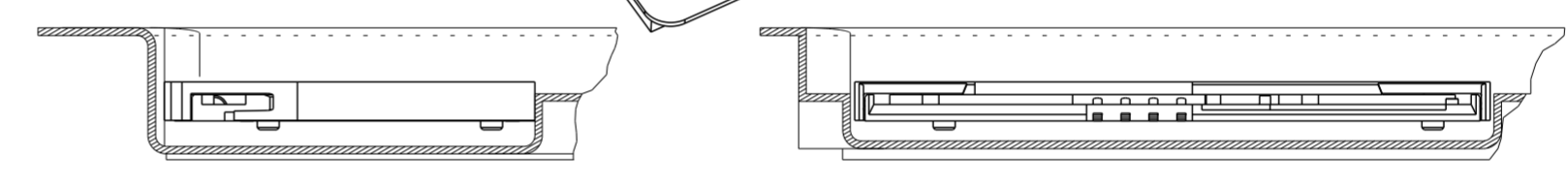
spec ref	SEE NOTES	dr	P-Mathew Nebu	2014/09/27	projection	mm	size	A2	scale	3:1
tolerance std	TOLERANCES UNLESS OTHERWISE SPECIFIED	eng	P-Mathew Nebu	2014/10/08		mm	ecn no	ELX-18989-1	rel level	Released
ISO 406		chr	-							
ISO 1101		appr	K-Paul Biju	2014/10/08	product family	MOBILE I/O	cat. no.	SEE TABLE	Product - Customer Drw	sheet 1 of 3
surface	ISO 1302	linear	0.X	±0.3			title	CHIP CARD CONNECTOR	dwg no	VJW53666
		0.XX	±0.1			TYPE :	P02 (8 cts with cover)	rev	L	
		0.XXX	±0.05			www.fci.com	cat. no.	SEE TABLE	Product - Customer Drw	sheet 1 of 3
		angular	0°	±2°			cat. no.	SEE TABLE	Product - Customer Drw	sheet 1 of 3

7712P0225A25LF FOR PICK AND PLACE VERSION

SEE DETAIL B

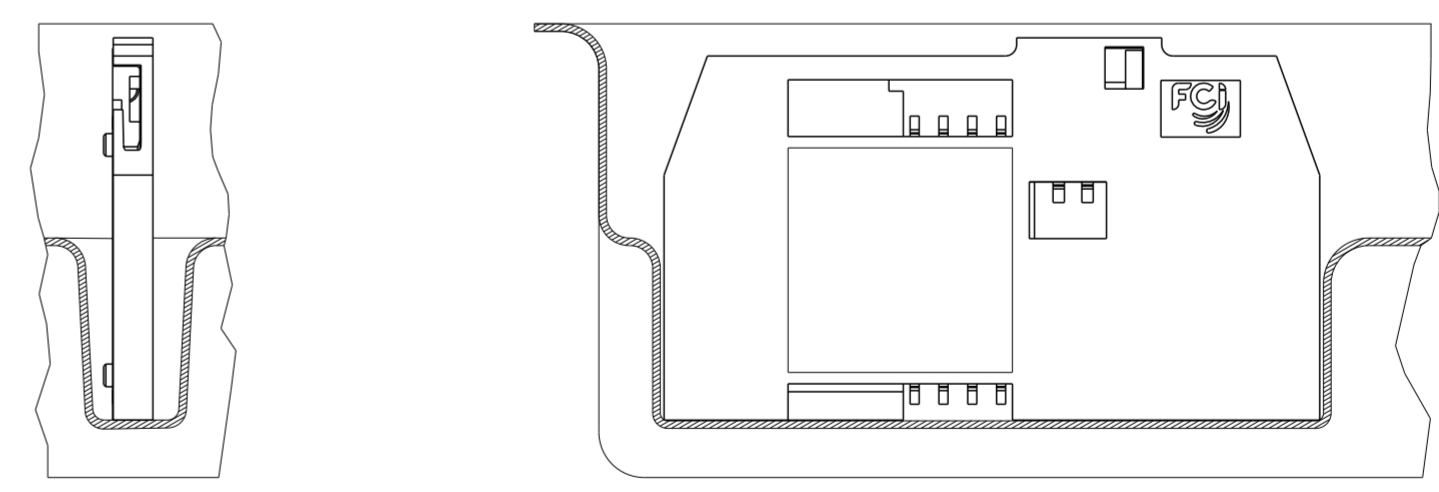


DETAIL B
SCALE 1:1



HORIZONTAL PLACEMENT

7312P0225A13LF STANDARD VERSION



VERTICAL PLACEMENT

PACKAGING

P / N	Quantity by Tray	Trays Material Detail
7712P0225A25LF	25 Horizontal Placement	Antistatic
7312P0225A13LF	100 Vertical Placement	No Antistatic

spec ref	SEE NOTES	dr	P-Mathew Nebu	2014/09/27	projection	mm	size	A2	scale	3:2								
tolerance std	TOLERANCES UNLESS OTHERWISE SPECIFIED	eng	P-Mathew Nebu	2014/10/08		mm	ecn no	ELX-18989-1	rel level	Released								
ISO 406		chr	-															
ISO 1101		appr	K-Paul Biju	2014/10/08	product family	MOBILE I/O	rel level	Released										
surface	<table border="1"> <tr> <td>linear</td> <td>0.X</td> <td>±0.3</td> </tr> <tr> <td></td> <td>0.XX</td> <td>±0.1</td> </tr> <tr> <td></td> <td>0.XXX</td> <td>±0.05</td> </tr> <tr> <td>angular</td> <td>0°</td> <td>±2°</td> </tr> </table>	linear	0.X	±0.3		0.XX	±0.1		0.XXX	±0.05	angular	0°	±2°		FCJ title CHIP CARD CONNECTOR TYPE : P02 (8 cts with cover)	cat. no. SEE TABLE	Product - Customer Drw	sheet 3 of 3
linear	0.X	±0.3																
	0.XX	±0.1																
	0.XXX	±0.05																
angular	0°	±2°																
ISO 1302		www.fci.com					dng no VJW53666	rev L										

Copyright FCI.