

REFERENCE SPECIFICATIONS

-NFC 93425 (in compliance with HE 507)

PHYSICAL CHARACTERISTICS

- INSULATOR MATERIAL: THERMOPLASTIC UL94V0
- CONTACT MATERIAL: PHOSPHOR BRONZE (signal contact)
GOLD OVER NICKEL
- ACCESSORIES: STAINLESS STEEL or BRASS
Cadmium plated, yellow passivation
- SHELLS: STEEL
Cadmium plated, yellow passivation

ELECTRICAL CHARACTERISTICS

- NOMINAL CURRENT: 7.5A
- CONTACT RESISTANCE: <= 7.3 m ohms signal
- CONTACT/CONTACT : >=1000 V
- CONTACT/GROUND : >=1200 V
- INSULATION RESISTANCE: >=5000 MOhms

ENVIRONMENTAL CHARACTERISTICS

- CLIMATIC CATEGORY: 55/125/21
TEMPERATURE RANGE -55°C TO +125°C
DAMP HEAT STEADY STATE 56 DAYS
SALT SPRAY 48 HOURS

MECHANICAL CHARACTERISTICS

- RETENTION AGAINST TORQUE: - Threaded insert: 0.7 N.m minimum
- Female screw : 0.5 N.m minimum

DBML13W3S043N

Series ←

Shell size: **E A B C D** ←
see sheet 3

M :characteristic
for the DM series

Front accessory definition
see sheet 2

Blank :without accessory

O :threaded insert M3

L :threaded insert UNC 4-40

V :female screw UNC 4-40

F :floating mounting

Layout of contacts ←

Contacts ←

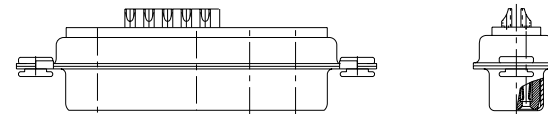
S :Socket

Plating ←

Blank solder bucket 500 matings/unmatings

043 solder bucket 500 matings/unmatings for harsh environment

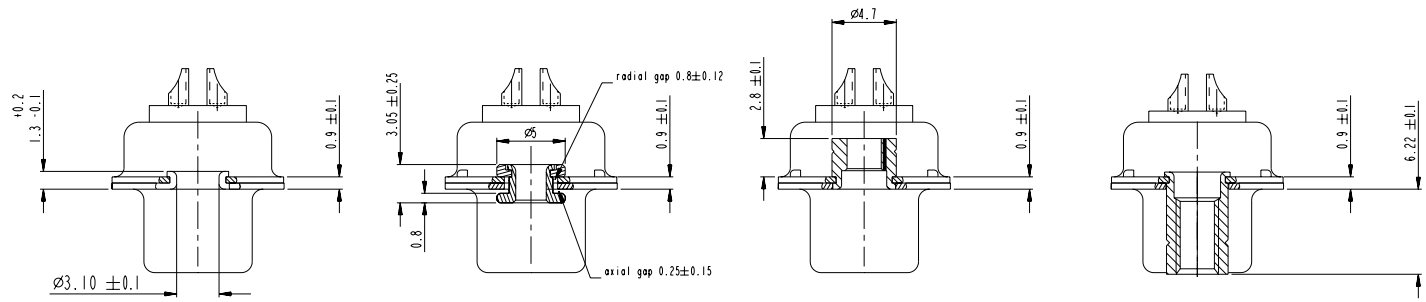
N :obligatory indication for HE 507 series ←



13W3 FOR EXAMPLE

www.fciconnect.com				surface	tolerance std	projection	mm	
				ISO 1302	ISO 406 ISO 1101	⊕	←	
				TOLERANCES UNLESS OTHERWISE SPECIFIED				
Dr	M PESSON	2006/11/15	ANGULAR	0.X	±0.3	size	Scale	
Eng	P LEGARE	2006/11/15	LINEAR	0.xx	±0.1	A2	2:1	
Chr	P LEGARE	2006/11/15	° ±2'	0.xxx	±0.05	ECN	LS07-0309	
Appr	P LEGARE	2006/11/15	Product family	- Spec ref				
FCI				SUB FEMALE DMW		ang no	C01-8637-1753	
				mixed power+solder bucket		Rev.	C	
				catalog no		CUSTOMER	sheet 1 of 7	

Copyright FCI



FRONT ACCESSORY	Blank without	F floating mounting	L insert M3 O insert UNC 4.40	V female screw UNC 4.40
-----------------	----------------------	----------------------------	--	--------------------------------

PART NUMBER	FRONT ACCESSORY
D*MxWxSN	without
D*MFxWxSN	Floating mounting
D*MLxWxSN	insert M3
D*MOxWxSN	insert UNC 4.40
D*MVxWxSN	female screw
D*MxWxS043N	without
D*MFxWxS043N	Floating mounting
D*MLxWxS043N	insert M3
D*MOxWxS03N	insert UNC 4.40
D*MVxWxS043N	female screw

shell size LAYOUTS

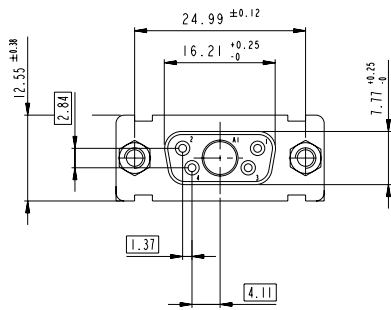
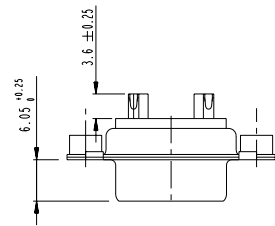
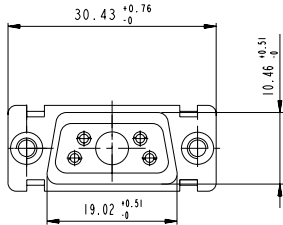
#	xWx
E	5W1
A	11W1
A	7W2
B	21W1
B	17W2
B	13W3
B	9W4
C	25W3
C	21WA4
C	27W2
D	47W1
D	24W7
D	36W4

Copyright fci. fci

www.fciconnect.com		surface - ISO 1302	tolerance std ISO 406 ISO 1101	projection mm
		TOLERANCES UNLESS OTHERWISE SPECIFIED		
Dr	M PESSON	2006/11/15	ANGULAR	0.X ±0.3
Eng	P LEGARE	2006/11/15	LINEAR	0.xx ±0.1
Chr	P LEGARE	2006/11/15	0° ±2°	0.xxx ±0.05
Appr	P LEGARE	2006/11/15	Product family	Spec ref
SUB FEMALE DMW		mixed power+solder bucket		ang no C01-8637-1753
catalog no		CUSTOMER		sheet 2 of 7

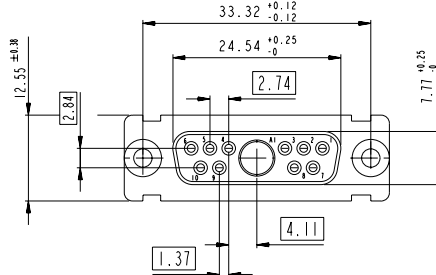
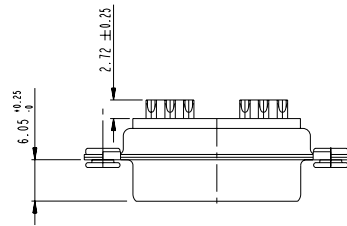
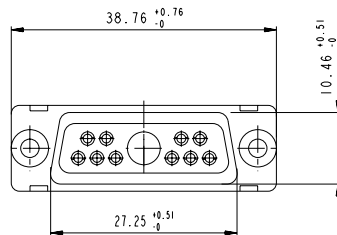
SCALE: 4

5W1

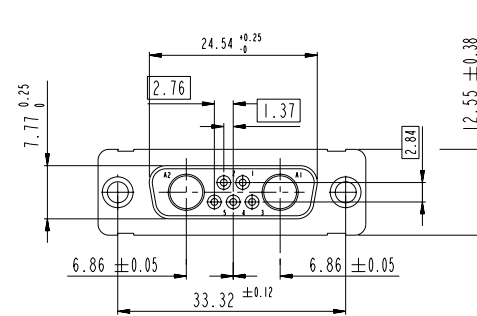
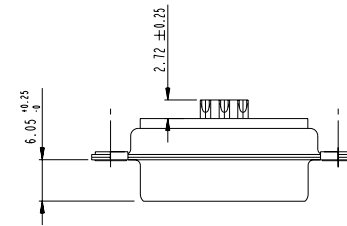
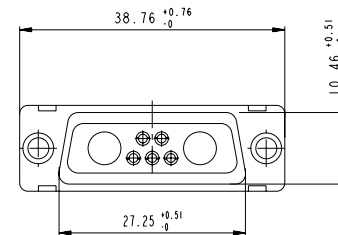


Floating signal contacts

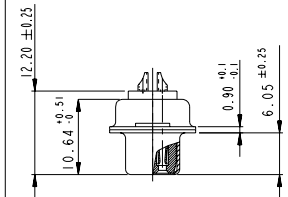
11W1



7W2



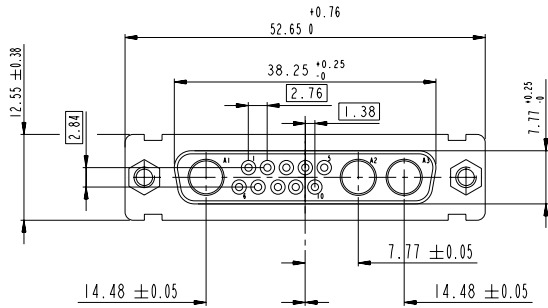
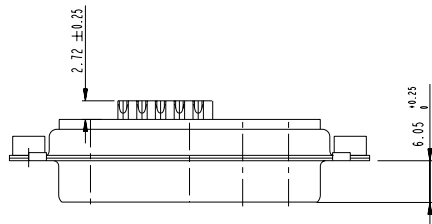
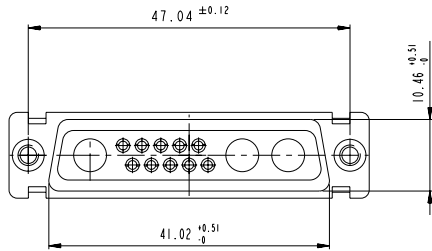
SIDE VIEW FOR LAYOUTS: E A B C



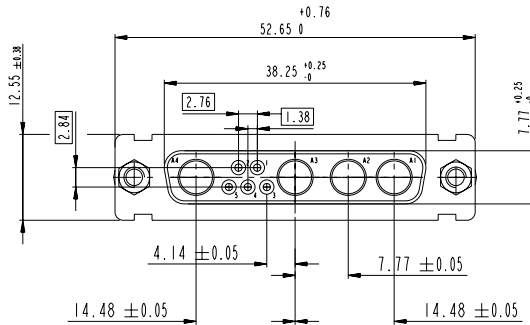
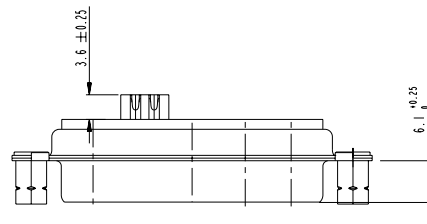
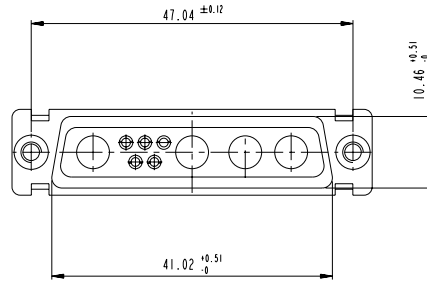
Copyright fci

www.fciconnect.com		surface - ISO 1302	tolerance std ISO 406 ISO 1101	projection mm
		TOLERANCES UNLESS OTHERWISE SPECIFIED		
Dr M PESSON	2006/11/15	ANGULAR	0.X ±0.3	size A2 Scale 2:1
Eng P LEGARE	2006/11/15	LINEAR	0.XX ±0.1	ECN LS07-0309
Chr P LEGARE	2006/11/15	° ±2'	0.XXX ±0.05	
Appr P LEGARE	2006/11/15	Product family	-	Spec ref
TITLE SUB FEMALE DMW mixed power+solder bucket catalog no		ang no C01-8637-1753 Rev. C		CUSTOMER sheet 3 of 7

13W3

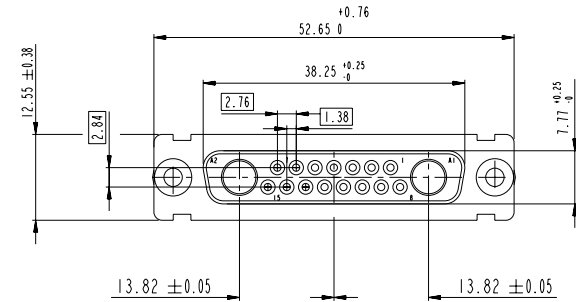
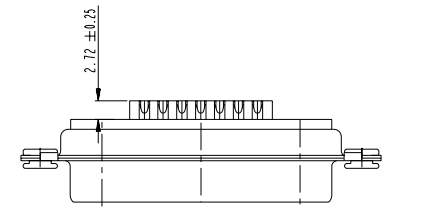
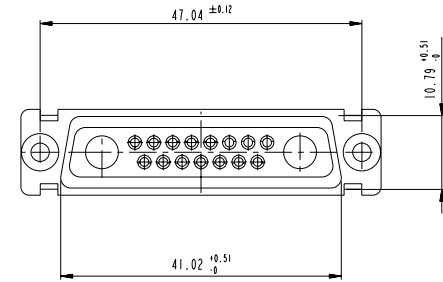


9W4



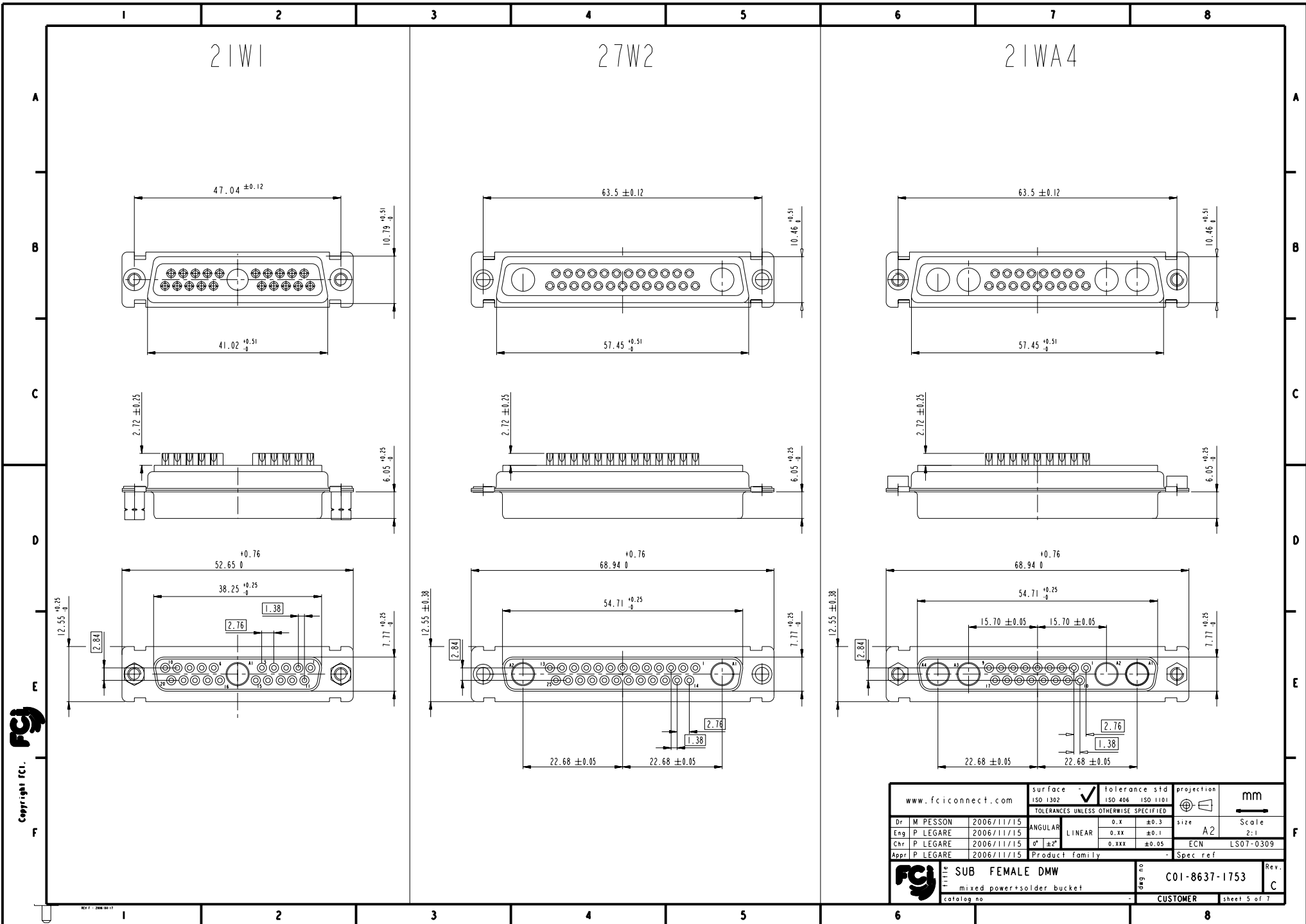
Floating signal contacts

17W2



Copyright fci. FCI

www.fciconnect.com		surface - ISO 1302 ✓	tolerance std ISO 406 ISO 1101	projection mm
		TOLERANCES UNLESS OTHERWISE SPECIFIED		
Dr M PESSON	2006/11/15	ANGULAR	0.X ±0.3	size A2 Scale 2:1
Eng P LEGARE	2006/11/15	LINEAR	0.XX ±0.1	ECN LS07-0309
Chr P LEGARE	2006/11/15	0° ±2°	0.XXX ±0.05	Spec ref
Appr P LEGARE	2006/11/15	Product family		
SUB FEMALE DMW		mixed power+solder bucket		Rev. C
catalog no		C01-8637-1753		sheet 4 of 7

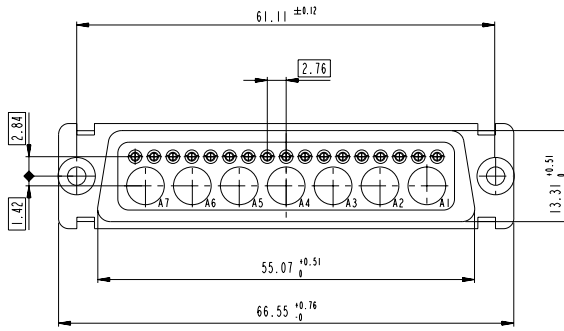
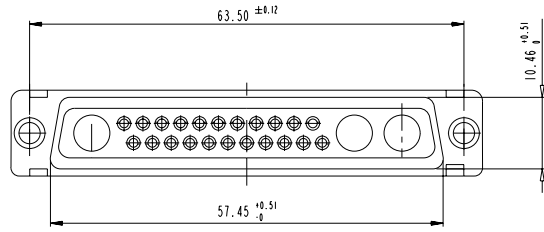


Copyright fci.

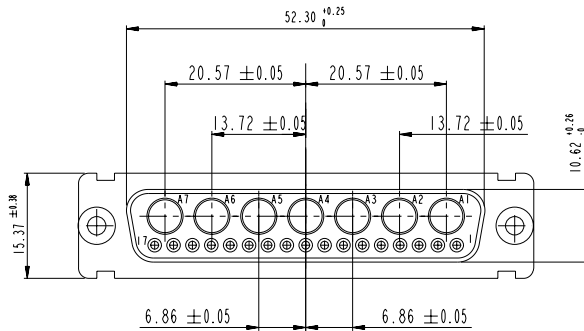
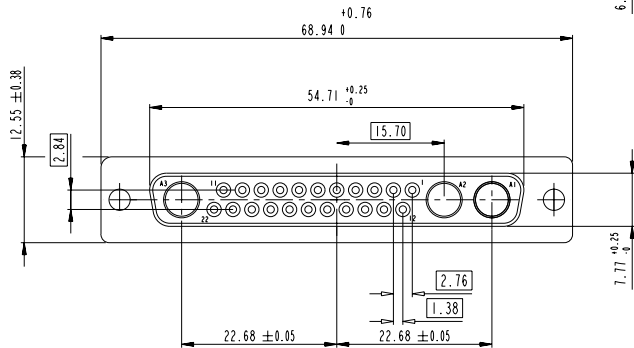
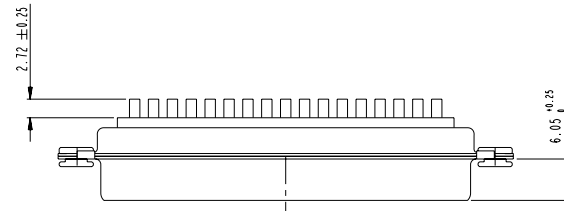
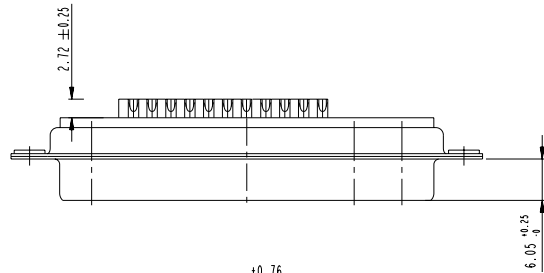
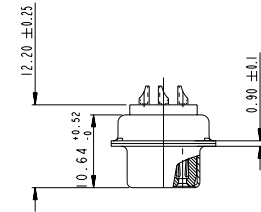
www.fciconnect.com		surface - ISO 1302	tolerance std ISO 406 ISO 1101	projection TOLERANCES UNLESS OTHERWISE SPECIFIED	mm
Dr M PESSON	2006/11/15	ANGULAR	0.X ±0.3	size A2	Scale 2:1
Eng P LEGARE	2006/11/15	LINEAR	0.XX ±0.1	ECN	LS07-0309
Chr P LEGARE	2006/11/15	0° ±2°	0.XXX ±0.05	Spec ref	
Appr P LEGARE	2006/11/15	Product family			
SUB FEMALE DMW mixed power+solder bucket catalog no				ang no C01-8637-1753 Rev. C	CUSTOMER sheet 5 of 7

25W3

24W7

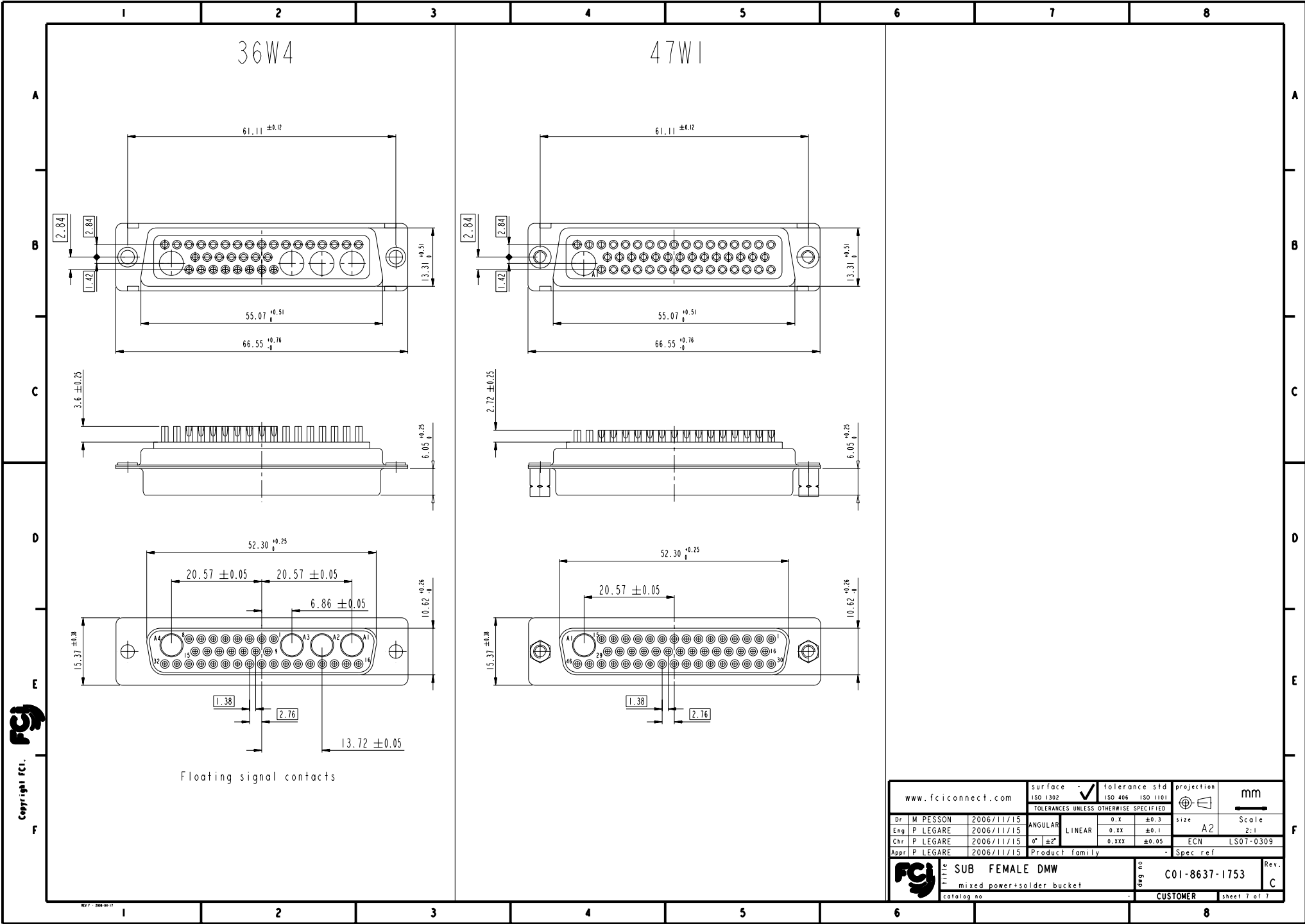


SIDE VIEW FOR LAYOUT: D



Copyright fci. FCI

www.fciconnect.com		surface ISO 1302	tolerance std ISO 406 ISO 1101	projection mm
		TOLERANCES UNLESS OTHERWISE SPECIFIED		
Dr M PESSON	2006/11/15	ANGULAR	0.X ±0.3	size A2 Scale 2:1
Eng P LEGARE	2006/11/15	LINEAR	0.XX ±0.1	ECN LS07-0309
Chr P LEGARE	2006/11/15	0° ±2°	0.XXX ±0.05	Spec ref
Appr P LEGARE	2006/11/15	Product family		
TITLE SUB FEMALE DMW mixed power+solder bucket catalog no		Rev. C sheet 6 of 7	ang no C01-8637-1753 CUSTOMER	



Floating signal contacts

Copyright fci.

www.fciconnect.com		surface -	tolerance std	projection	mm
		ISO 1302	ISO 406 ISO 1101		
		TOLERANCES UNLESS OTHERWISE SPECIFIED			
Dr	M PESSON	2006/11/15	ANGULAR	0.X	±0.3
Eng	P LEGARE	2006/11/15	LINEAR	0.XX	±0.1
Chr	P LEGARE	2006/11/15	° ±2'	0.XXX	±0.05
Appr	P LEGARE	2006/11/15	Product family	-	Spec ref
		SUB FEMALE DMW		ang no	C01-8637-1753
		mixed power+solder bucket		Rev.	C
		catalog no		CUSTOMER	sheet 7 of 7