

PRODUCT NUMBER
91687-YXXLF

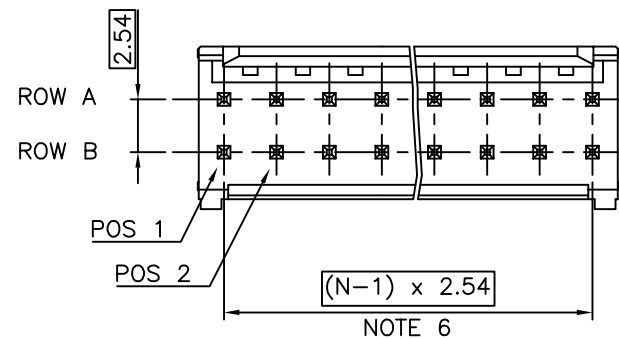
RoHS COMPATIBLE, SEE NOTE 7

PLATING

3=0.76µm GOLD/GXT ON CONTACT AREA
2 µm MIN MATTE TIN ON TAIL
1.27µm Ni MIN UNDERPLATING

NUMBER OF POSITIONS PER ROW : 02 TO 36

TOP VIEW



NOTES:

1. BODY MATERIAL: POLYESTER 30% GLASSFILLED COLOR BLUE, FLAME RETARDANT PER UL-94 V0.
2. CONTACT MATERIAL: PHOSPHOR BRONZE.
3. 15N MIN PIN RETENTION IN EITHER DIRECTION
4. 0.6 MAX PROTRUSION PERMITTED AT 4 PLACES
5. PACKAGING :
- POLYBAGS FROM 2 x 02 TO 2 x 06 POSITIONS
- TUBE FROM 2 x 07 TO 2 x 36 POSITIONS

6. TO DETERMINE DIMENSIONS :
N = NUMBER OF POSITIONS PER ROW
EXAMPLE : 8 POS N x 2.54 = 20.32mm

7. RoHS COMPATIBLE PRODUCT SPECIFICATIONS

a - PLATING:

- "LF" MEANS THE PRODUCT IS LEAD-FREE, 2µm MINIMUM MATTE TIN OVER 1.27µm MINIMUM NICKEL UNDERPLATE.

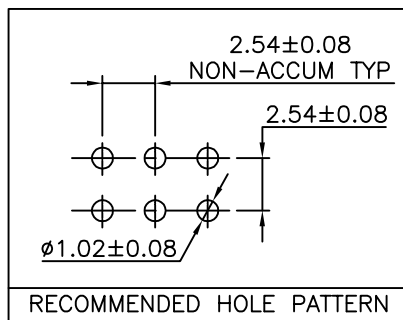
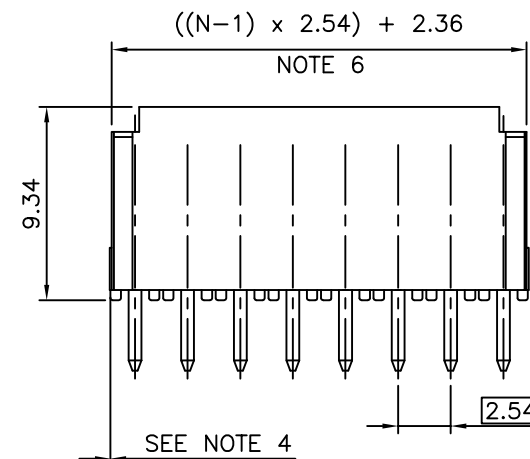
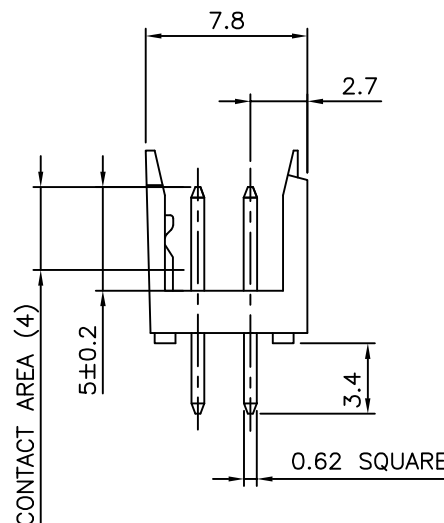
b - MANUFACTURING PROCESS COMPATIBILITY

- THE HOUSING WILL WITHSTAND EXPOSURE TO 245°C ±5°C SOLDER BATH TEMPERATURE FOR 5 SECONDS IN A WAVE SOLDER APPLICATION WITH A 1.6mm MIN THICK CIRCUIT BOARD.

c - LABELING:

- MEETS PACKAGING SPECS AS PER GS-14-920

d - LEGAL STATEMENT: SEE GS-47-0004



mat'l. code		surface		tolerance		projection		product family	
SEE NOTES		ISO 1302	ISO 406	ISO 1101	mm		DUBOX HDR		
B	F00190	LMU	00.04.12	angles	.X	±0.3	title		
C	F05-0117	LMU	05.01.31	linear	.XX	±0.15	DUBOX HEADER		
D	F05-0244	JCO	05.09.06		.XXX	±0.05	STRAIGHT, DOUBLE ROW		
E	F06-0228	LMU	06.07.11	dr	MULIN.L	00.04.12	dwg no		
F	F08-0147	YOV	08.04.14	engr	COMPAGNON.J	00.04.12	sheet 1 of 1		size
G	B-19285	AMA	14.11.03	chr			91687		A3
H	F-21810	AMA	15.06.19	appo	JMC	00.04.12	type		
sheet index		revision sheet						CUSTOMER Drawing	