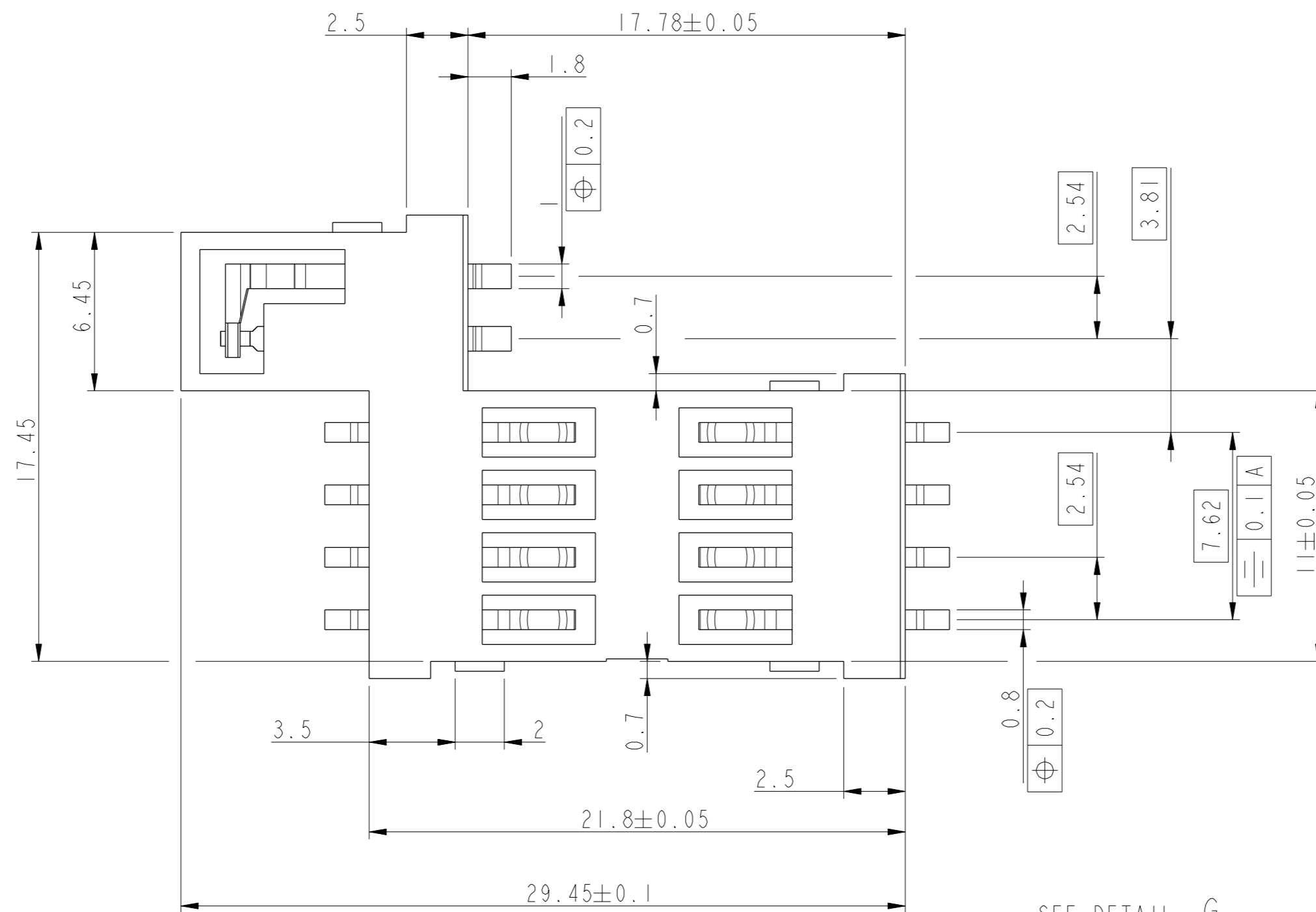


PART NUMBER  
7X11S0725A01LF

CODE	PACKAGE OPTION
3	LARGE TRAY QTY-100 PCS
7	SMALL TRAY QTY- 84 PCS



**CHARACTERISTICS:**

**GENERAL:**

This S07 connector is suitable for narrow space portable applications. It has an integral card detection switch.

**ELECTRICAL PROPERTIES:**

Insulation resistance : > 1000MΩ  
 Dielectric withstanding voltage : > 1000 Vrms  
 Current carrying capacity : Min 10mA, Max. 1A  
 Contact resistance : GSM 11-11 standard  
 Card sensor type : Normally Open

**MECHANICAL PROPERTIES:**

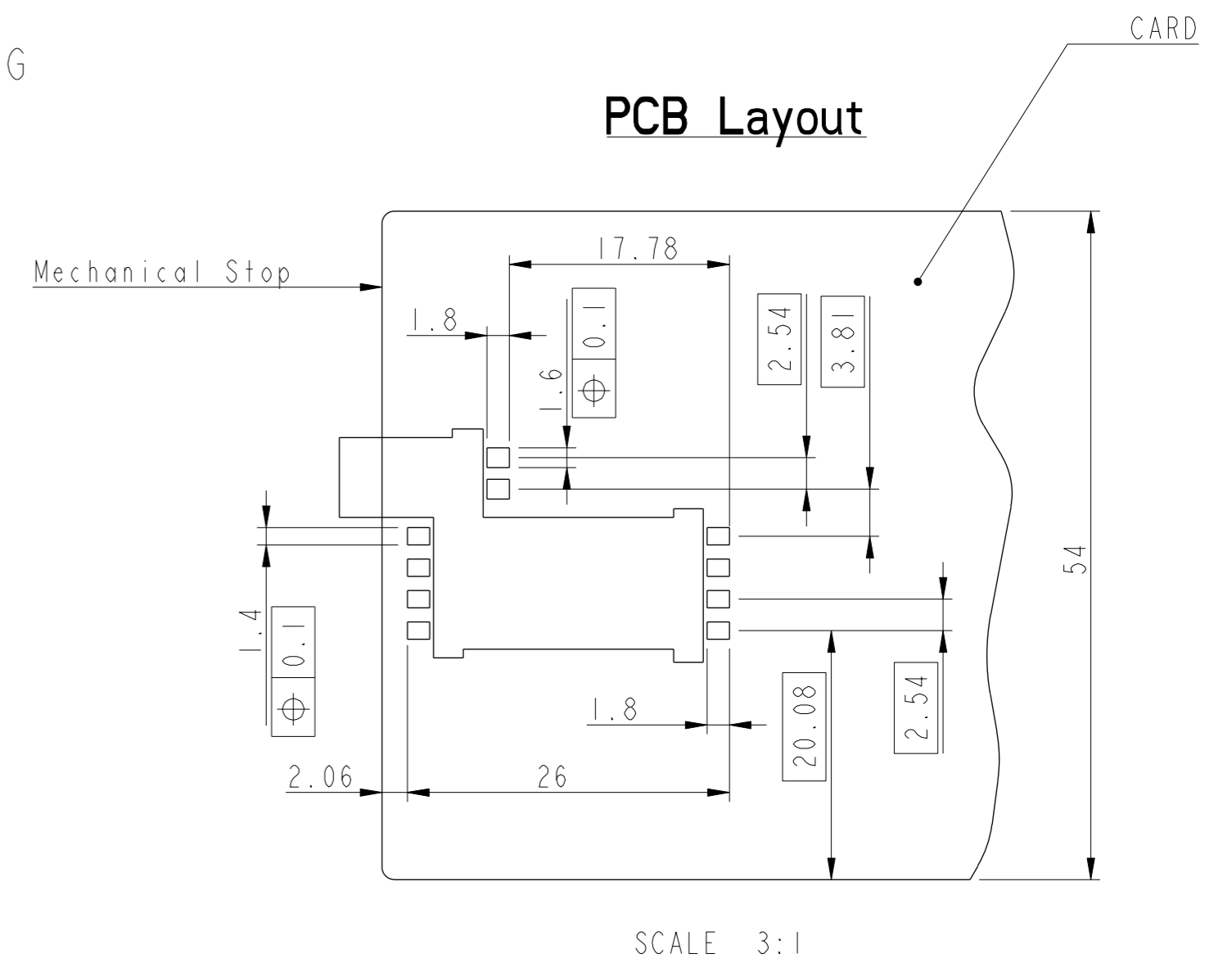
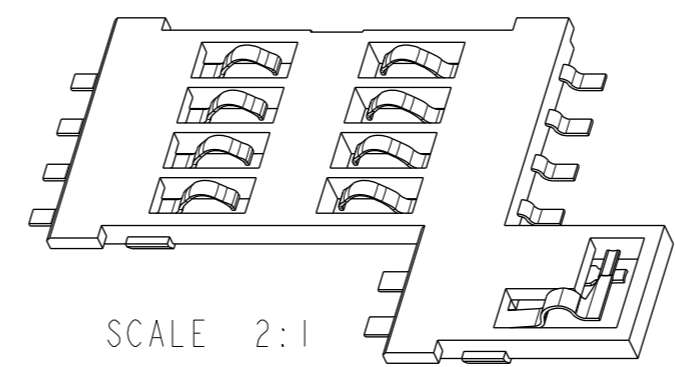
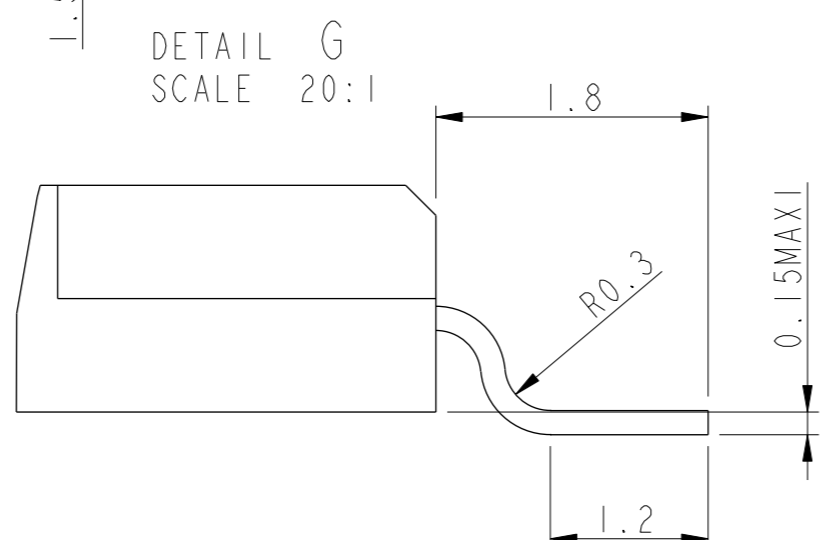
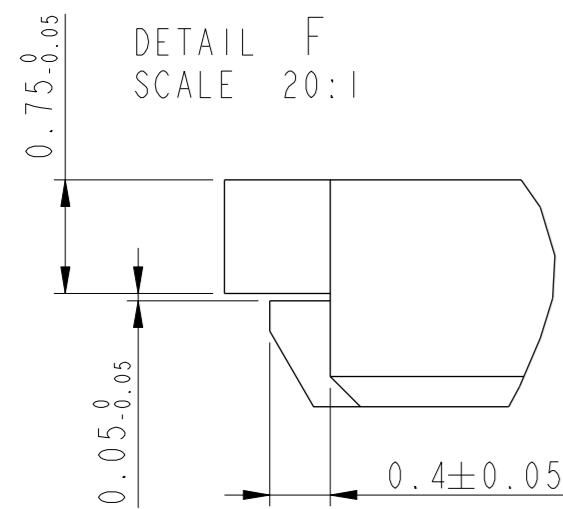
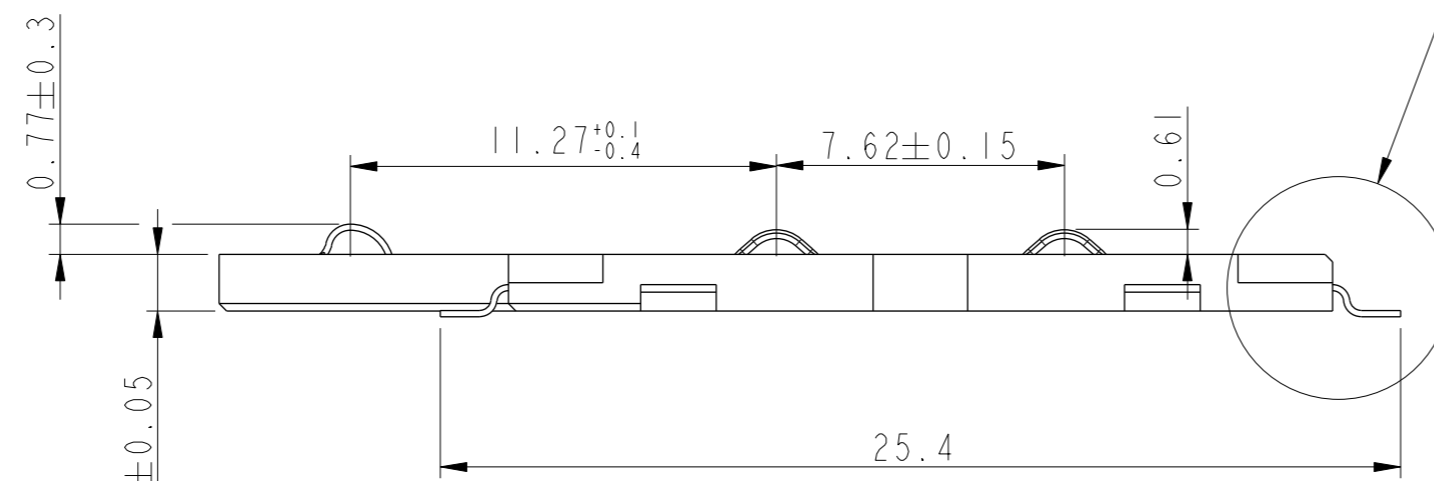
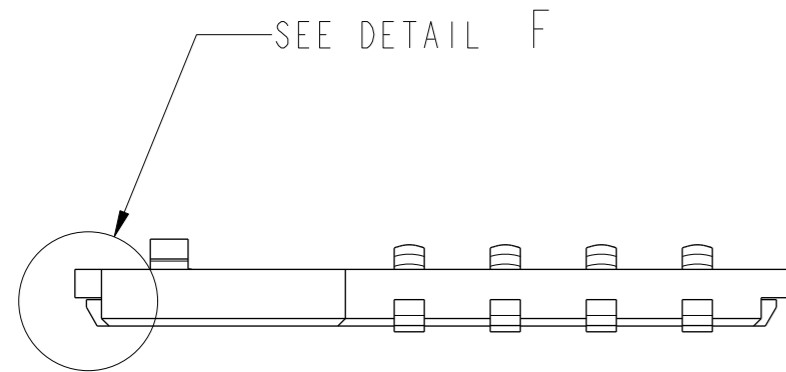
Contact Normal force : GSM 11-11 standard  
 Durability : 10 000 card insertions

**MATERIAL:**

Housing : High Temperature Thermoplastic, colour Black, Rated UL94V0  
 Contacts and switch : Copper Alloy, Thickness 0.16mm  
 Plating : undercoat Ni. all over  
 - Contact : Gold or Equivalent GXT over Ni on contact areas  
 - Switch : Gold or Equivalent GXT over Ni on functional areas  
 Bare edge allowed,  
 Lead Free (Sn) on soldertails.

**ENVIRONMENT:**

Operating temperature : -40 °C / +90 °C  
 Reflow soldering temperature for Lead Free version: see note RoHS informations



**NOTE RoHS INFORMATIONS**

- The "LF" products meet European Union Directives and other country regulations as described in GS-47-0004
- The housing will withstand exposure to 260°C peak temperature for 30 seconds in a convection, infra-red or vapor reflow oven. See application notes/procedures if they are available.
- Packaging spec: see GS-14-920

spec ref	-	dr	P-Mathew Nebu	2011/05/31	projection	mm	size	A2	scale	5:1
tolerance std	ISO 406 ISO 1101	eng	P-Mathew Nebu	2016/05/25	chr	-	ecn no	ELX1-24258-1	rel level	Released
surface	linear angular	appr	K-Paul Biju	2016/11/24	product family	SIM	cat. no.	SEE TABLE	Product - Customer Drw	sheet 1 of 1
TOLERANCES UNLESS OTHERWISE SPECIFIED		Amphenol FCI		S07 SERIES		VJW53696		H		