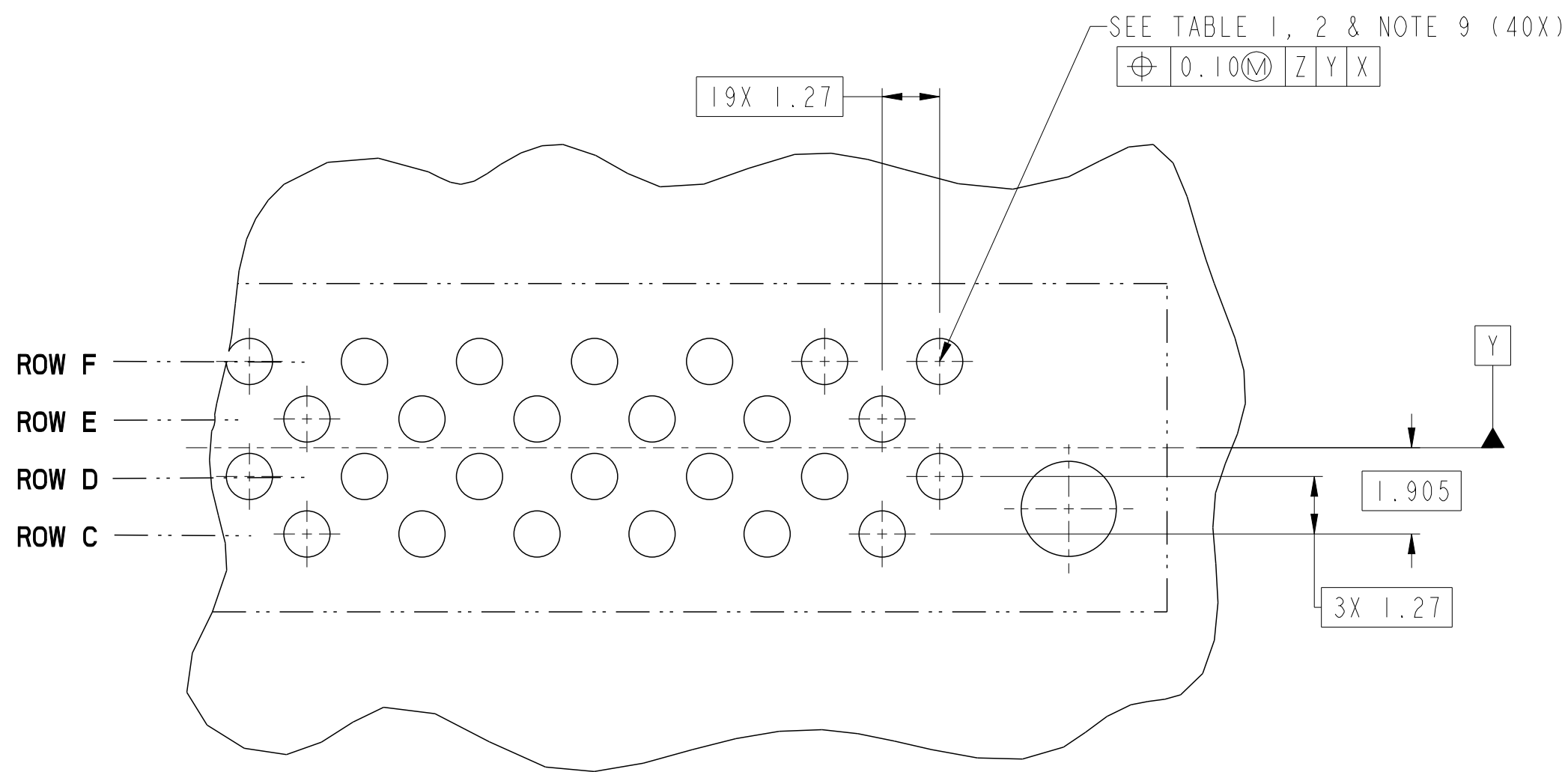
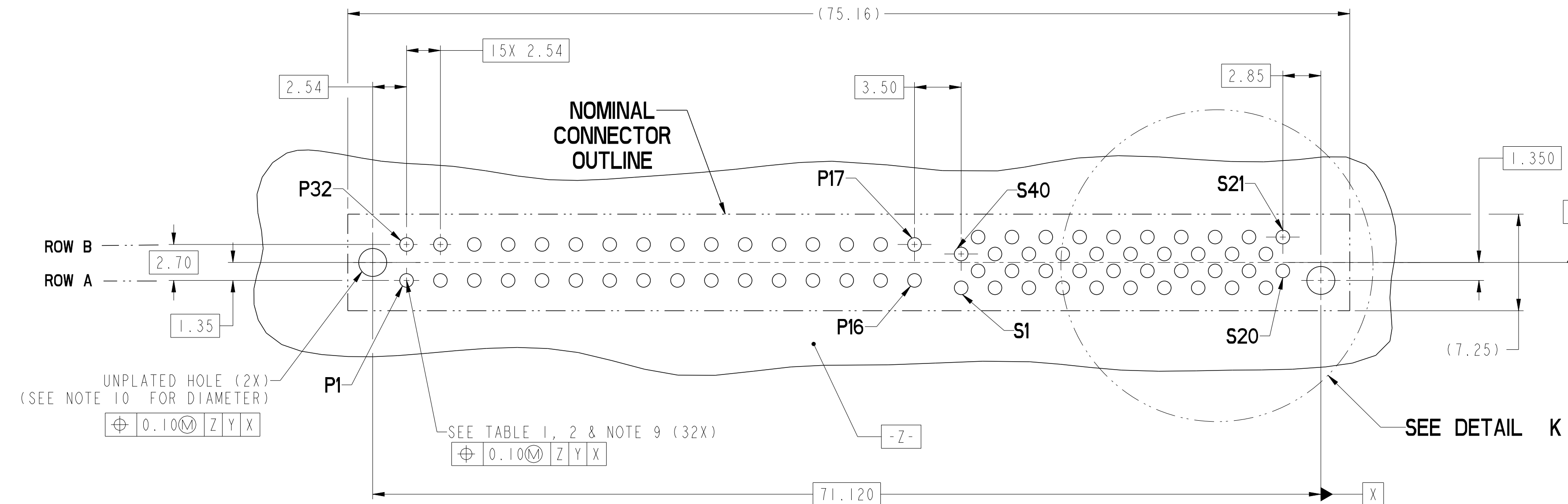
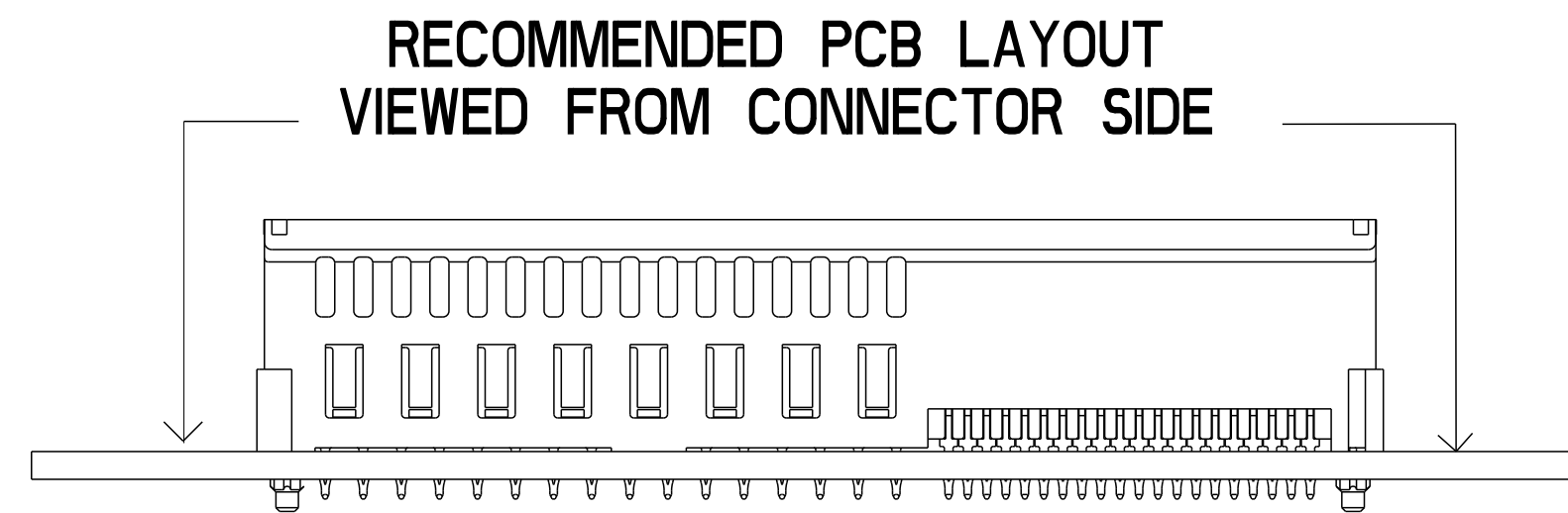


spec ref	-	dr	Wei-Long Zhang	2012/01/01	projection	MM	size	A2	scale	4:1					
tolerance std	ASME Y14.5	eng	Wei-Long Zhang	2012/04/24			ecn no	ELX-DG-011379-1							
TOLERANCES UNLESS OTHERWISE SPECIFIED		chr	-	2012/04/24			product family	CARD EDGE	rel level	Released					
surface	linear	0.X	±0.3		FCI VERT RECT (32P 40S) HIGH POWER CARD EDGE	cat. no. -	Product - Customer Drw	sheet 1 of 4	rev B						
	0.XX	±0.10	ASME Y14.5							angular	0°	±2°	www.fci.com	rel level	10119864
	0.XXX	±0.050													

Copyright FCI. FCI



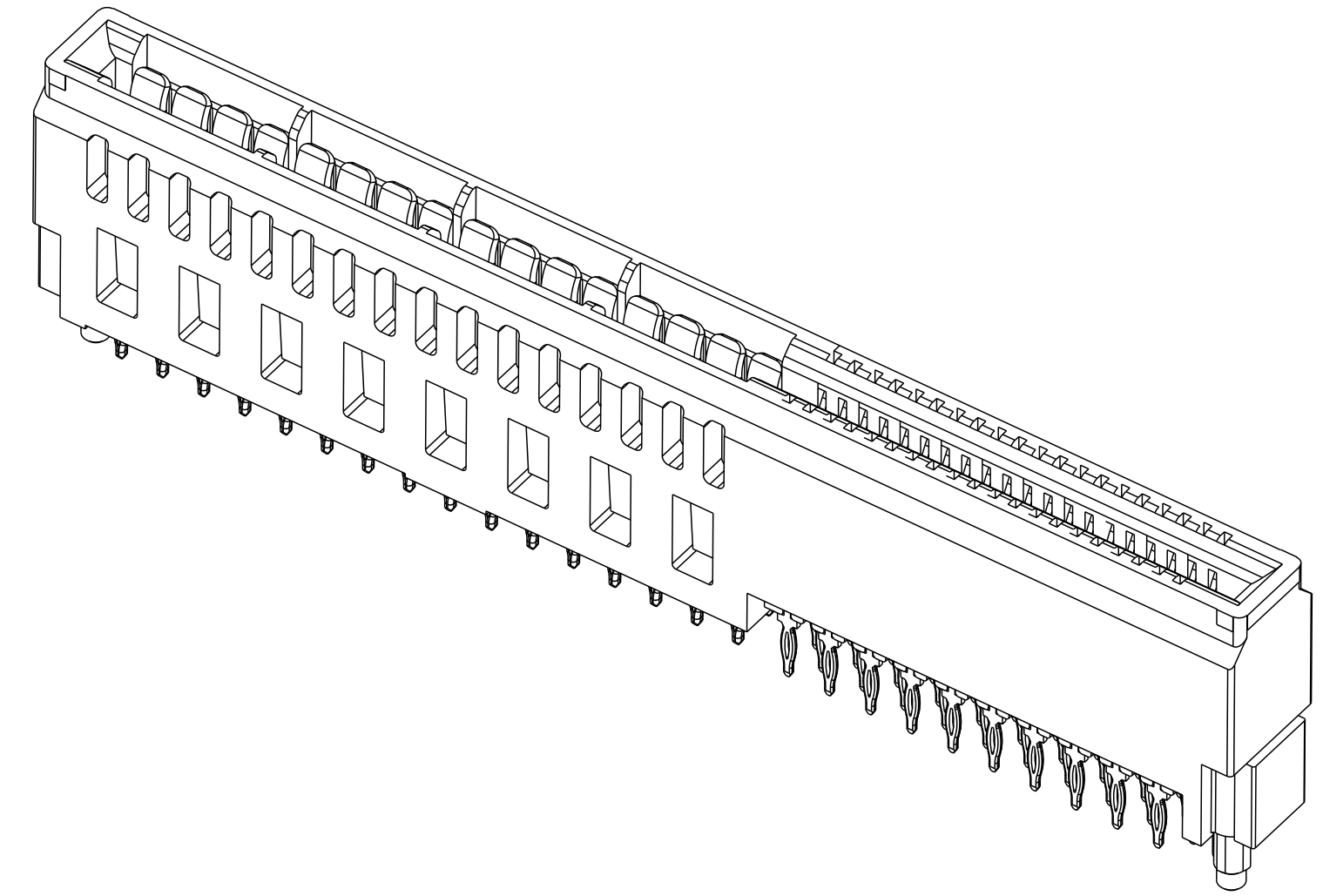
DETAIL K
SCALE 8:1



dr	Wei-Long Zhang	2012/01/01	projection	MM	size	A2	scale	4:1
eng	Wei-Long Zhang	2012/04/24			ecn no	ELX-DG-011379-1		
chr	-	-			rel level	Released		
appr	Pai-Ming Zheng	2012/04/24	product family	CARD EDGE	rel level	Released		
		title	VERT RECT (32P 40S)		dwg no	10119864		rev
www.fci.com		cat. no.	-		Product - Customer Drw	sheet 2 of 4		B

HPCE PART NUMBER (TABLE 3)

PART NUMBER	TAIL TYPE	DIM "A" TYPICAL TAIL LENGTH	DIM "B" RECOMMENDED BOARD THICKNESS
10119864-001LF	SOLDER	3.17 ±0.25	1.59 - 2.38
10119864-002LF	PRESS-FIT		1.57 MIN



NOTES:

1. CONNECTOR MATERIALS:
 HOUSING: HIGH TEMPERATURE THERMAL PLASTIC, BLACK
 UL 94V-0 COMPLIANT
 CONTACTS: HIGH PERFORMANCE COPPER ALLOY.
2. CONTACT FINISH REF. GS-12-604 SECTION 5.2.
3. PRODUCT SPECIFICATION: GS-12-604.
4. APPLICATION SPECIFICATION: GS-20-128.
5. PRODUCT MARKING (FCI - PART NUMBER & DATE CODE) ON HOUSING IN AREA SHOWN.
6. PACKAGING MEETS FCI SPECIFICATION GS-14-937.
7. HOUSING COMPONENT WILL WITHSTAND EXPOSURE TO 260°C PEAK TEMPERATURE FOR 60 SECONDS IN A CONVECTION, INFRA-RED, OR VAPOR PHASE REFLOW OVEN.
8. COPPER PLATING THICKNESS IN CENTER OF VIA-HOLE CAN BE NO MORE THAN 0.003 LESS THAN OTHER AREAS.
9. ALL HOLE SIZES ARE FINISHED HOLE SIZES.
10. MOUNTING HOLES ARE UNPLATED
 Ø 2.40 +/- 0.1 FOR PRESS-FIT TAILS
 Ø 2.10 +/- 0.1 FOR SOLDER TAILS

dr	Wei-Long Zhang	2012/01/01	projection	MM	size	A2	scale	4:1	
eng	Wei-Long Zhang	2012/04/24			ecn no	ELX-DG-011379-1			
chr	-	-			rel level	Released			
appr	Pei-Ming Zheng	2012/04/24	product family	CARD EDGE		dwg no	10119864	rev	B
www.fci.com		cat. no.	-		Product - Customer Drw	sheet 4 of 4			