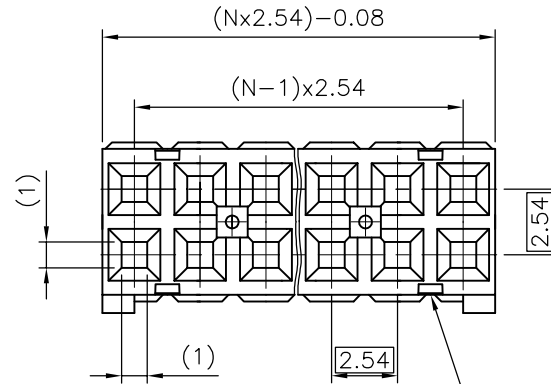


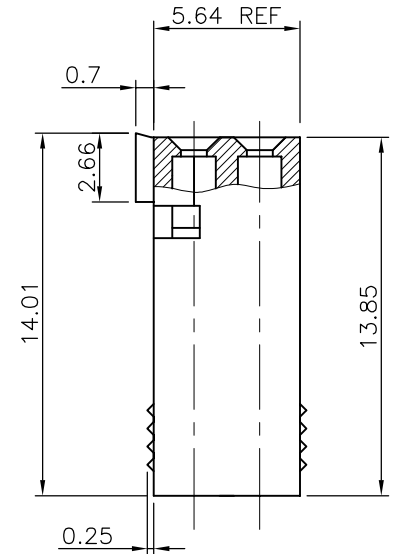
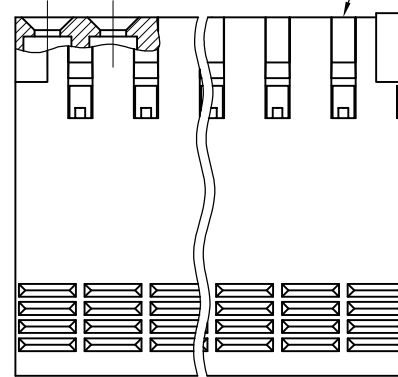
PRODUCT NUMBER

65239-YXXLF

- WHEN NEEDED, SUFFIX LETTER "LF" INDICATES THE PRODUCT IS RoHS COMPLIANT, SEE NOTE 6
- NUMBER OF CAVITIES PER ROW : 02 TO 36.
- PLASTIC MATERIAL COLOR CODE.
- 0 = BLUE
- 1 = GREY



SEE NOTE 2



NOTES:

- 1 - HOUSING MAT'L: THERMOPLASTIC GLASS FILLED FLAME RETARDANT PER UL 94 V-O.
- 2 - OVER DASH -007 ONLY FIRST AND LAST THREE POSITIONS MUST HAVE GROOVES ON TWO SIDES.
- 3 - PRODUCT PACKED IN PLASTIC BAG.
- 4 - TO DETERMINE DIMENSIONS:
N = NUMBER OF POSITIONS
EXAMPLE: 8 POS: (Nx2.54)-0.08=20.24 mm.
- 5 - FOR TECHNICAL APPLICATION SEE TA317.
- 6 - RoHS COMPATIBLE PRODUCT SPECIFICATIONS

a - LABELING:

- MEETS PACKAGING SPECS AS PER GS-14-920

b - LEGAL STATEMENT: SEE GS-22-008

THE PRODUCT IS NOT INTENDED TO BE EXPOSED TO A MANUFACTURING SOLDER PROCESS.

mat'l. code		surface		tolerance		projection		product family	
SEE NOTE		ISO 1302		ISO 406 ISO 1101		101		DUBOX	
ltr ecn no dr date		tolerances unless otherwise specified		±0.3		mm		title	
M	F05-0236	DLE	05.08.24	linear				CtW HOUSING DR	
N	F05-0286	DLE	05.11.07	±2'		scale 5:1		dwg no	
P	F06-0146	DLE	06.03.10	dr		L.MULIN 00.08.30		sheet 1 of 1 size	
R	F06-0225	DLE	06.07.07	engr		P.NIZZI 00.08.30		65239 A3	
K	F04-0347	DLE	04.12.10	chr		JF.NOTTEAU 00.08.30		type	
L	F05-0169	DLE	05.04.07	appd		P.NZ 00.08.30		CUSTOMER Drawing	
sheet index		revision sheet							